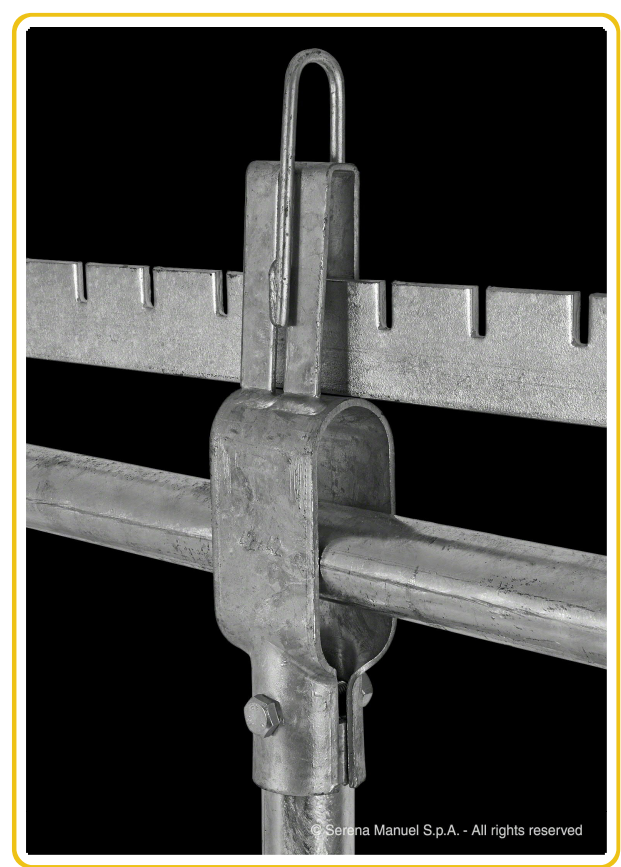
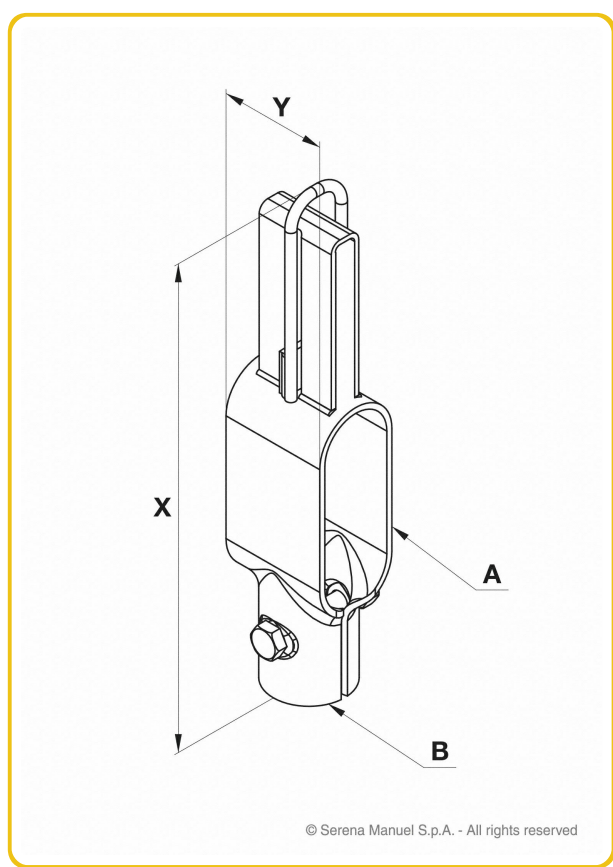


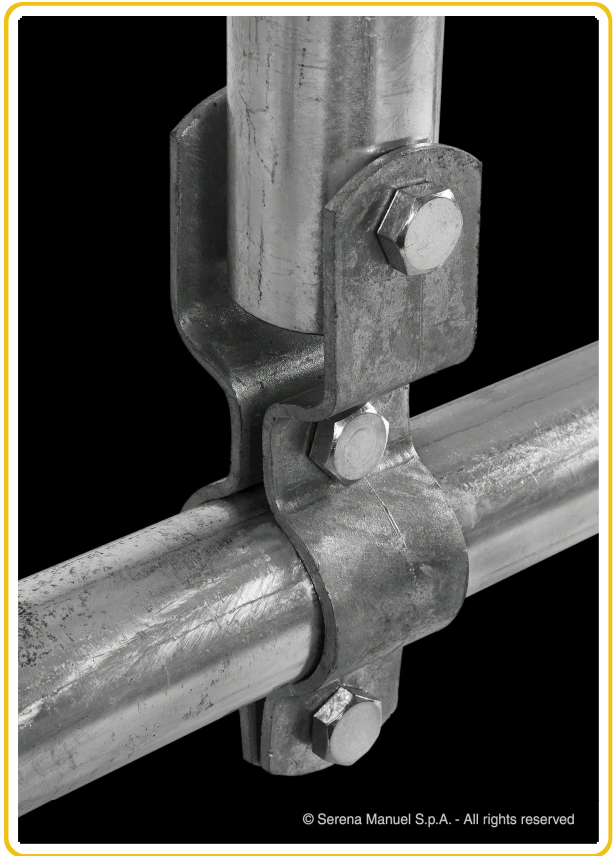
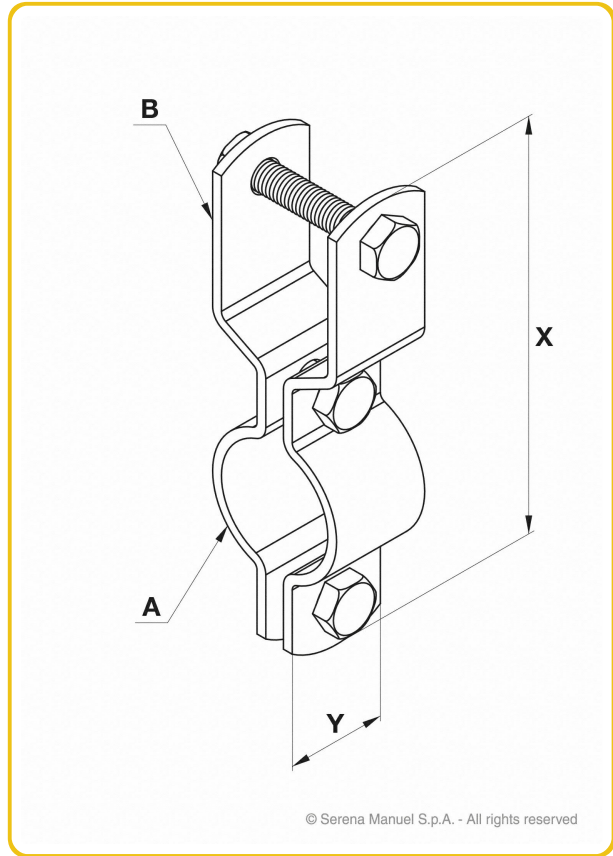


Head lock location fitting



CODE	DIAMETERS				BOLT AND NUT n° 1	MINIMUM QUANTITY n°	DIMENSIONS	
	A	B	A	B			X	Y
91160017	1/2" x 1"		(21 x 33)		8x20	50	81	18
91160017	1/2" x 1"		(21 x 33)		8x20	50	81	18
90110013	1" x 1"		(33 x 33)		10x50	10	295	55
90110023	1"1/4 x 1"		(42 x 33)		10x50	10	285	55
90110033	1"1/4 x 1"1/4		(42 x 42)		10x60	10	290	65
90110043	1"1/2 x 1"1/4		(48 x 42)		10x60	10	290	65
90110053	1"1/2 x 1"1/2		(48 x 48)		10x70	10	290	65

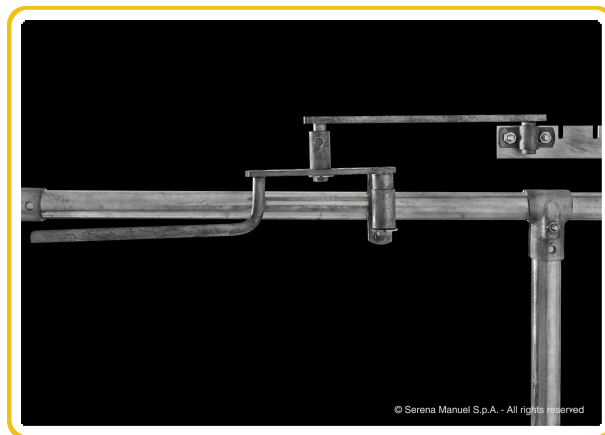
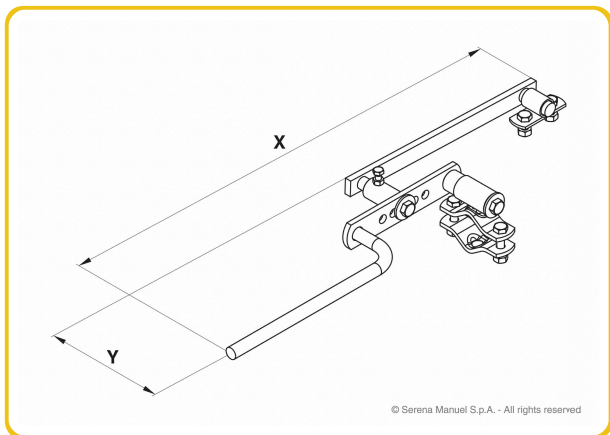
Lower pivotal bracket for head lock assembly



CODE	DIAMETERS				BOLTS AND NUTS		MINIMUM QUANTITY	DIMENSIONS	
	A	B	A	B	n° 2	n° 1		n°	X
90120013	1" x 1"		(33 x 33)		10x25	10x50	25	155	35
90120023	1"1/4 x 1"1/4		(42 x 42)		10x25	10x60	25	160	40
90120033	1"1/2 x 1"1/2		(48 x 48)		10x25	10x70	25	175	40



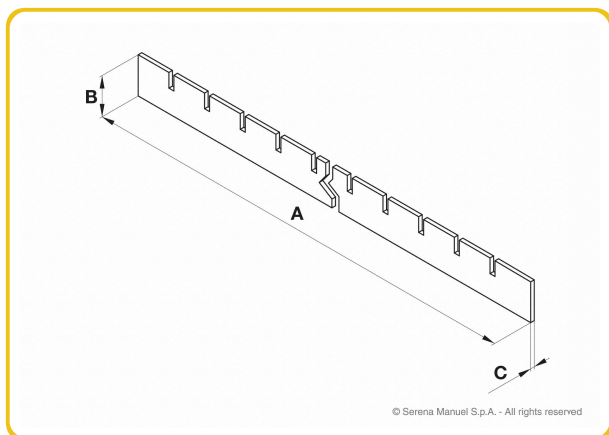
Levier de commande barreau mobile



CODICE	BOLTS AND NUTS				WASHERS	MINIMUM QUANTITY	DIMENSIONS	
	n° 2	n° 2	n° 2	n° 1			X	Y
90150013	12x25	10x50	10x25	8x20	36x12,5	1	760	180

Rack blade

38

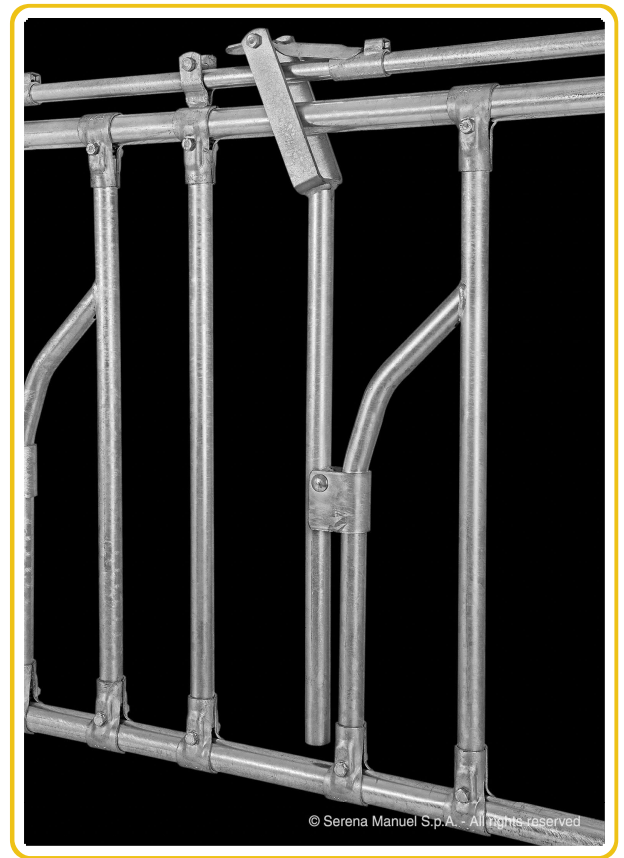
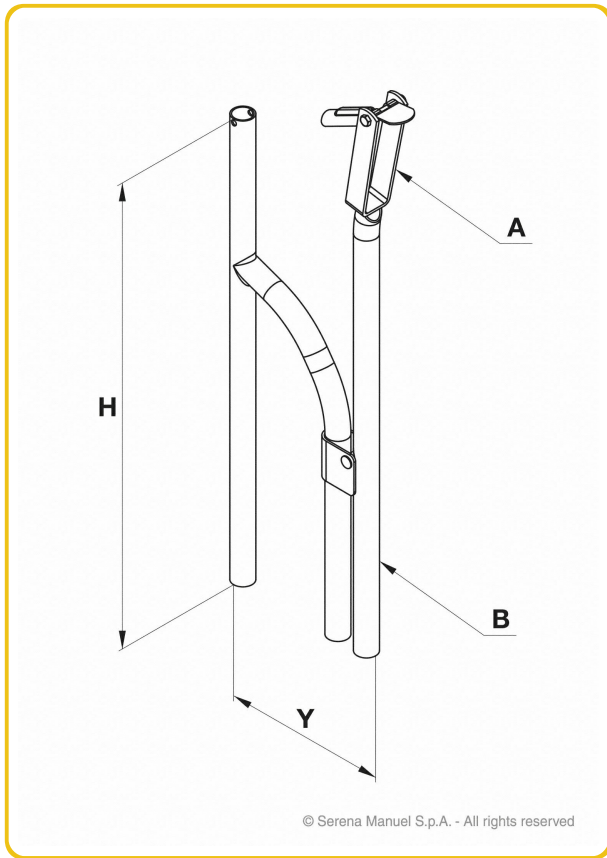


CODE	DIMENSIONS			MINIMUM QUANTITY
	A	B	C	n°
90380012	3.000	x 50	x 6	1



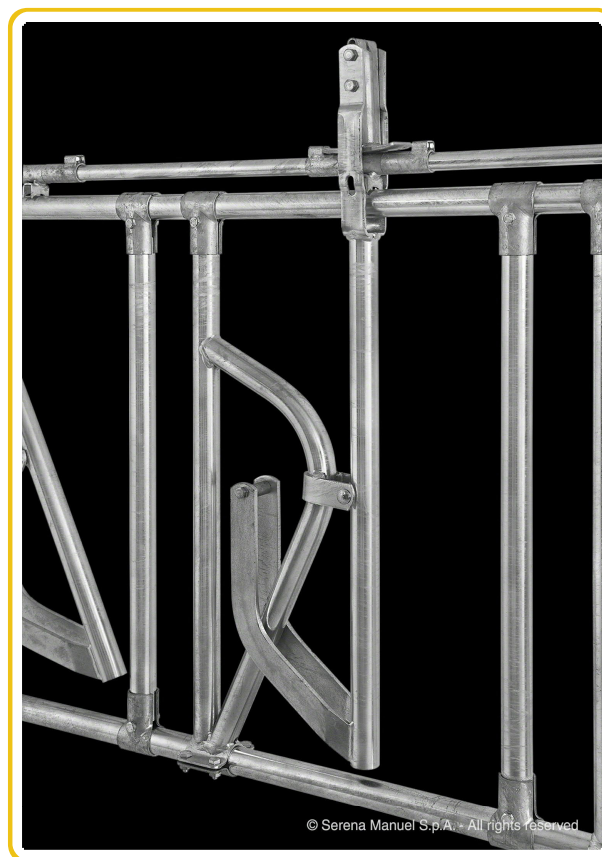
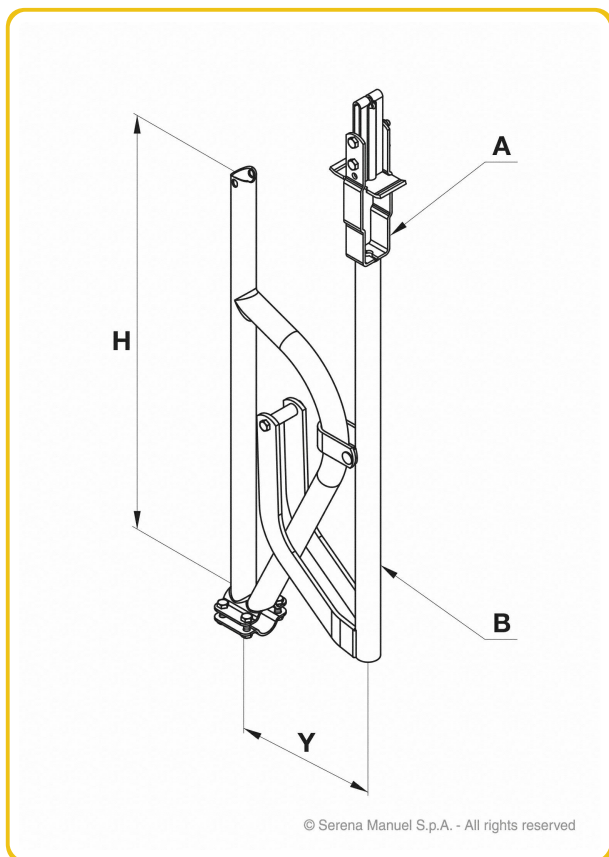
"Camilla" head lock assembly

154



CODE	DIAMETERS				HEIGHT H	WIDTH Y	MINIMUM QUANTITY	
	A	B	A	B			n°	
91540023	1" ÷ 3/4"	x 1/2"	(33 ÷ 27	x 21)	600	160	1	
91540083	1"	x 1"	(33	x 33)	800	250	1	
91540093	1"1/2 ÷ 1"1/4	x 1"	(48 ÷ 42	x 33)	800	250	1	
91540103	1"1/2 ÷ 1"1/4	x 1"1/4	(48 ÷ 42	x 42)	830	325	1	
91540063	1"1/2 ÷ 1"1/4	x 1"1/4	(48 ÷ 42	x 42)	930	325	1	
91540013	1"1/2 ÷ 1"1/4	x 1"1/4	(48 ÷ 42	x 42)	980	325	1	

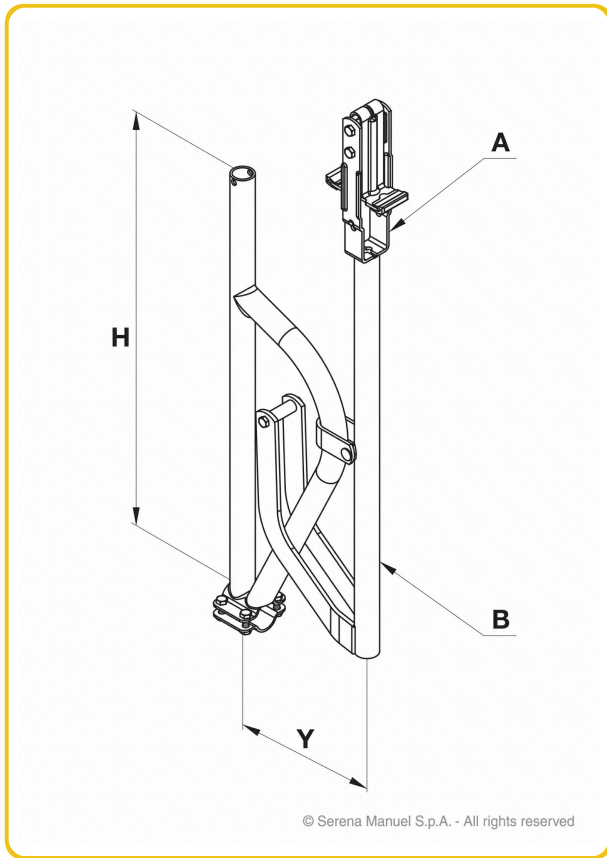
Safety head lock assembly



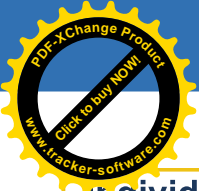
CODE	DIAMETERS				HEIGHT H	WIDTH Y	MINIMUM QUANTITY n°
	A	B	A	B			
91550073	1"1/2 ÷ 1"1/4 x 1"		(48 ÷ 42 x 33)		750	230	1
91550063	1"1/2 ÷ 1"1/4 x 1"		(48 ÷ 42 x 33)		850	255	1
91550013	1"1/2 ÷ 1"1/4 x 1"1/4		(48 ÷ 42 x 42)		850	330	1
91550193		2" x 1"1/4	(60 x 42)		850	330	1



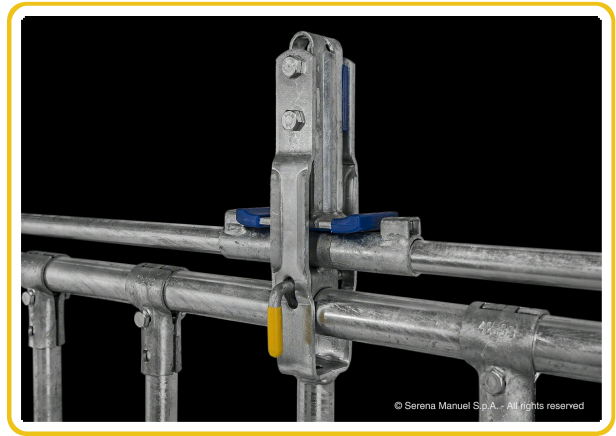
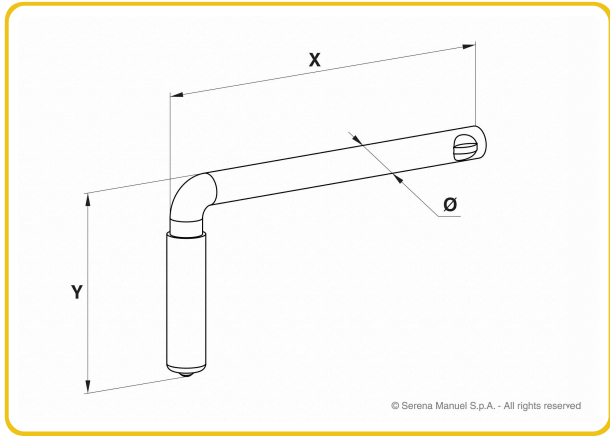
Low noise safety head lock assembly



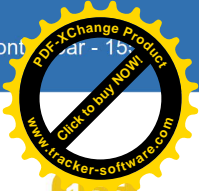
CODE	DIAMETERS				HEIGHT H	WIDTH Y	MINIMUM QUANTITY n°
	A	B	A	B			
91550123	1"1/2 ÷ 1"1/4 x 1"		(48 ÷ 42 x 33)		750	230	1
91550133	1"1/2 ÷ 1"1/4 x 1"		(48 ÷ 42 x 33)		850	255	1
91550143	1"1/2 ÷ 1"1/4 x 1"1/4		(48 ÷ 42 x 42)		850	330	1
91550183		2" x 1"1/4	(60 x 42)		850	330	1



Individual feed space retaining pin with cap



CODE	DIAMETER	MINIMUM QUANTITY	DIMENSIONS	
			X	Y
91550253	Ø 10	n° 1	75	63

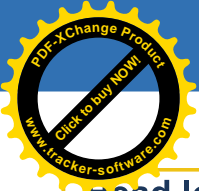


Tube with rounded edges for single locking of an escape exit headlock on a Ø3/4" (27) control bar

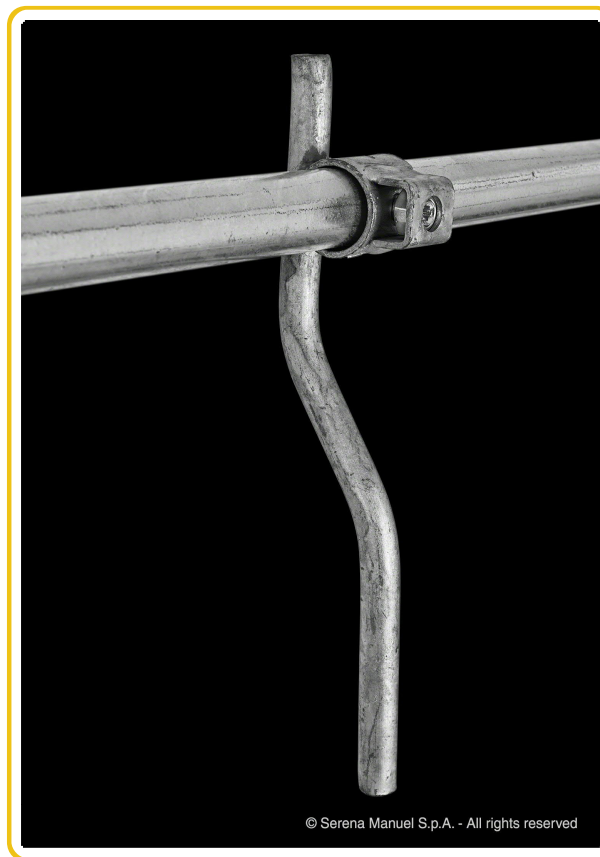
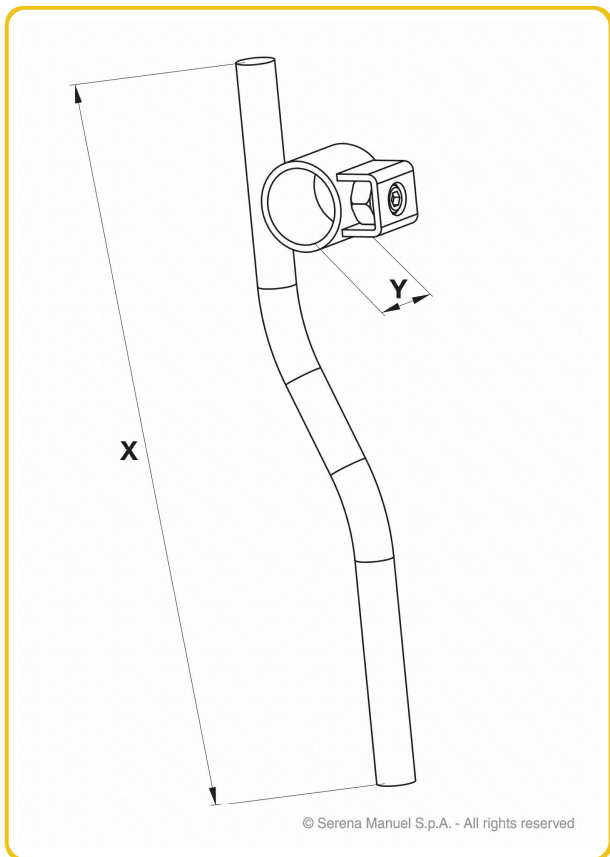


CODICE	DIAMETRO		QUANTITÀ MINIMA	DIMENSIONI		
				A	B	C
81550312	3/4"	(27)	n° 1	-	-	-

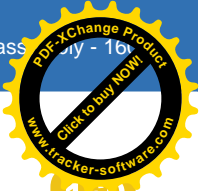
!CHIEDERE A MARCO DATI TABELLA!



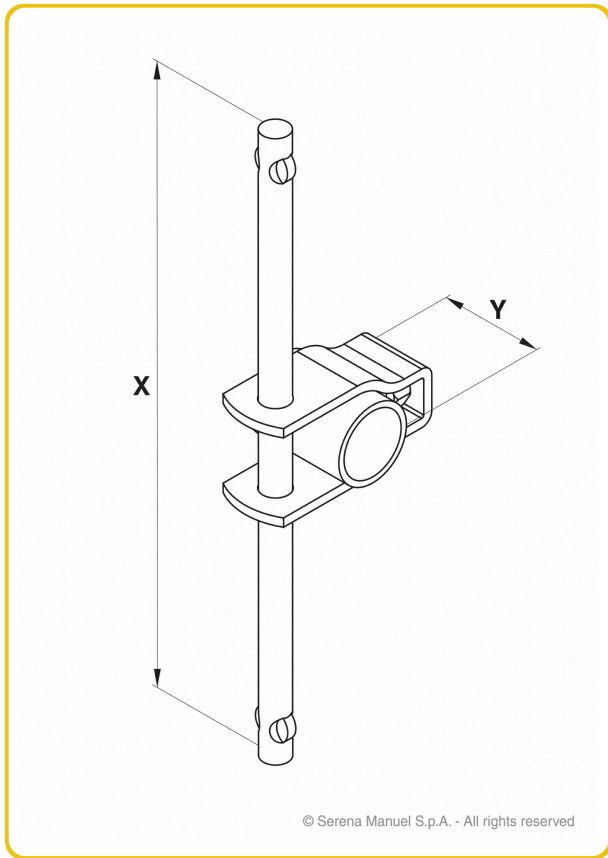
Head lock control lever



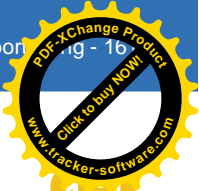
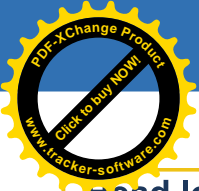
CODE	DIAMETER		NUT	GRUB SCREW	MINIMUM QUANTITY	DIMENSIONS	
			n° 1	n° 1	n°	X	Y
91590013	1/2"	(21)	M10	10x16	1	270	35
91590023	3/4"	(27)	M10	10x16	1	270	35



Retracting head lock control lever assembly

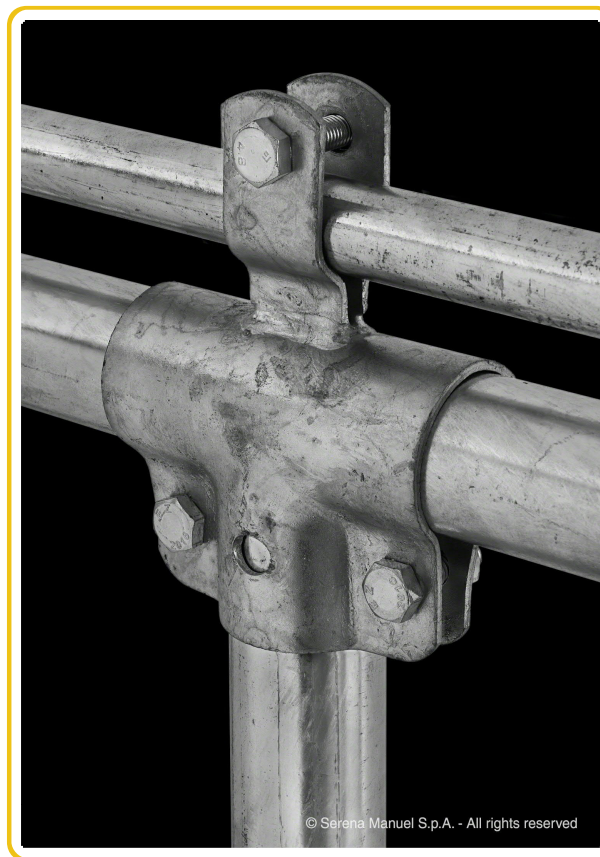
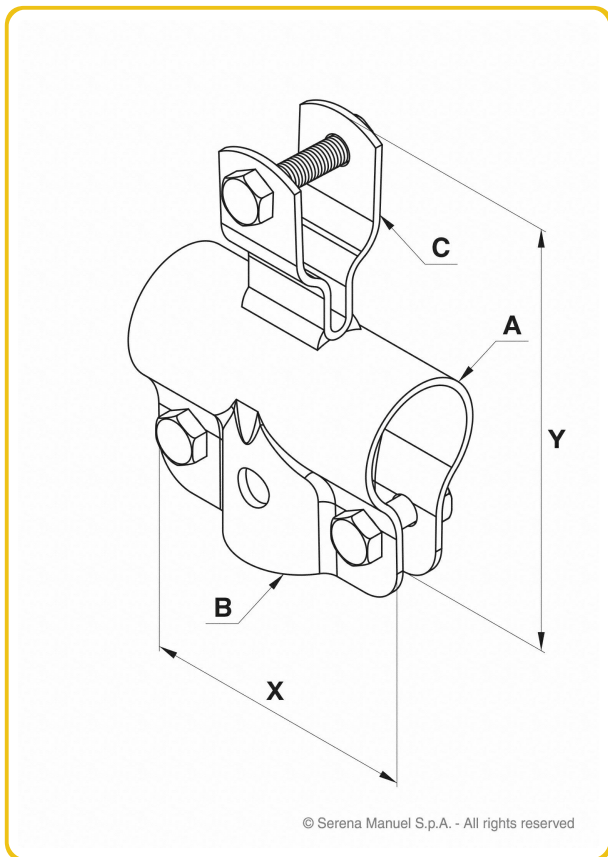


CODE	DIAMETER		NUT	GRUB SCREW	MINIMUM QUANTITY	DIMENSIONS	
			n° 1	n° 1	n°	X	Y
91600013	3/4"	(27)	M10	10x16	1	270	45

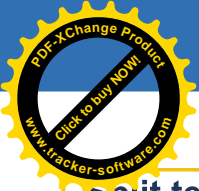


head lock control bar support fitting

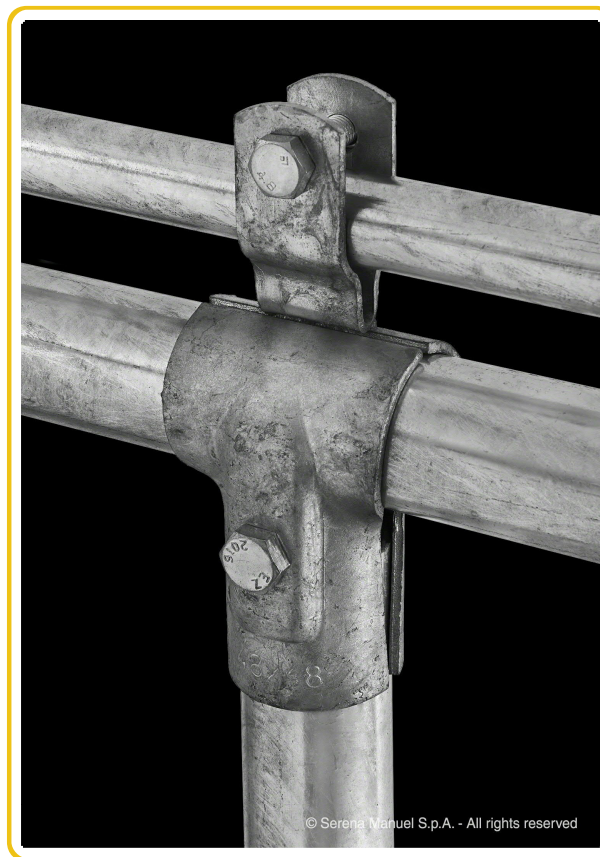
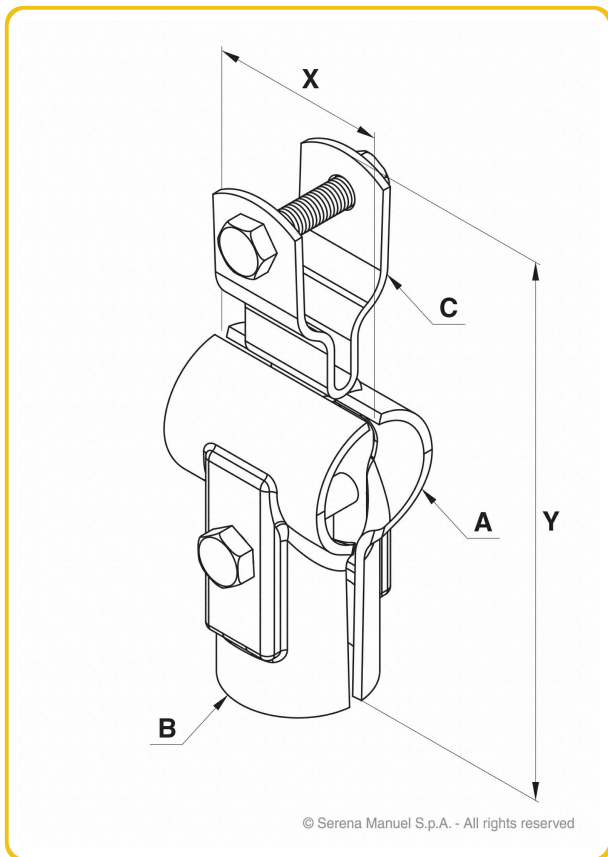
101



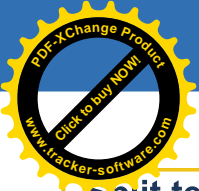
CODE	DIAMETERS				BOLTS AND NUTS		MINIMUM QUANTITY n°	CONTROL BAR		DIMENSIONS	
	A	B	A	B	n° 2	n° 1		C	C	X	Y
91610013	1" x 1"		(33 x 33)		10x25	10x45	10	3/4"	(27)	100	150
91610023	1"1/4 x 1"		(42 x 33)		10x30	10x45	10	3/4"	(27)	100	160
91610033	1"1/4 x 1"1/4		(42 x 42)		10x30	10x45	10	3/4"	(27)	110	155
91610043	1"1/4 x 1"1/2		(42 x 48)		10x30	10x45	10	3/4"	(27)	110	165
91610053	1"1/4 x 2"		(42 x 60)		10x30	10x45	10	3/4"	(27)	145	170
91610063	1"1/2 x 1"1/4		(48 x 42)		10x30	10x45	10	3/4"	(27)	110	165
91610073	1"1/2 x 1"1/2		(48 x 48)		10x30	10x45	10	3/4"	(27)	120	165
91610083	1"1/2 x 2"		(48 x 60)		10x30	10x45	10	3/4"	(27)	145	170
91610093	2" x 1"1/4		(60 x 42)		10x30	10x45	10	3/4"	(27)	110	175
91610103	2" x 1"1/2		(60 x 48)		10x30	10x45	10	3/4"	(27)	120	175
91610113	2" x 2"		(60 x 60)		10x35	10x45	10	3/4"	(27)	145	180



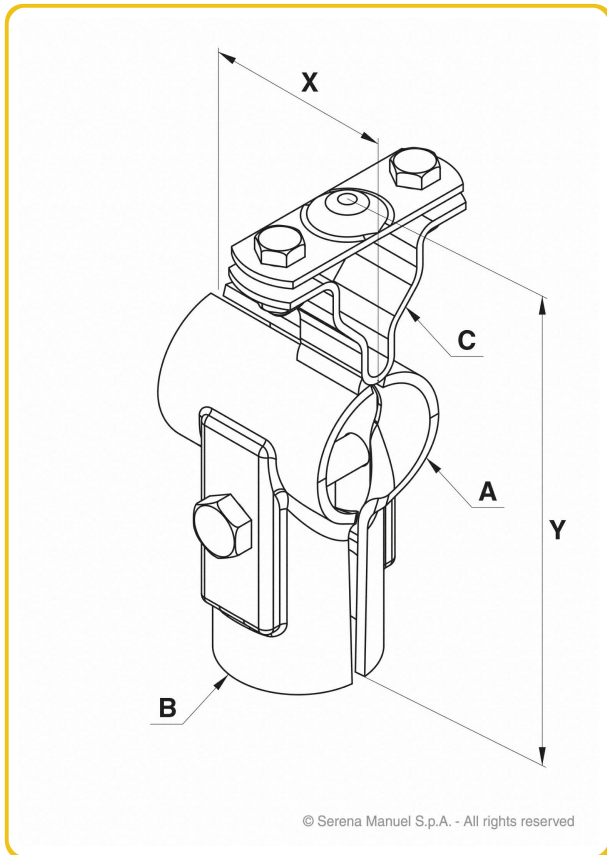
Split tee - head lock control bar support fitting



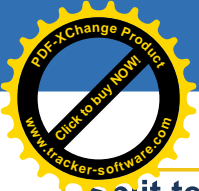
CODE	DIAMETERS				BOLTS AND NUTS		MINIMUM QUANTITY	CONTROL BAR		DIMENSIONS	
	A	B	A	B	n° 1	n° 1		n°	C	X	Y
91620013	3/4" x 1/2"		(27 x 21)		8x40	10x45	25	3/4" (27)		35	150
91620023	3/4" x 3/4"		(27 x 27)		10x50	10x45	25	3/4" (27)		45	150
91620033	1"1/4 x 1"		(42 x 33)		10x60	10x45	25	3/4" (27)		55	175
91620043	1"1/4 x 1"1/4		(42 x 42)		10x70	10x45	25	3/4" (27)		65	180
91620073	1"1/2 x 1"		(48 x 33)		10x60	10x45	25	3/4" (27)		55	180
91620053	1"1/2 x 1"1/4		(48 x 42)		10x70	10x45	25	3/4" (27)		65	190
91620063	1"1/2 x 1"1/2		(48 x 48)		10x75	10x45	10	3/4" (27)		75	190
91620083	2" x 1"1/4		(60 x 42)		10x70	10x45	25	3/4" (27)		65	200



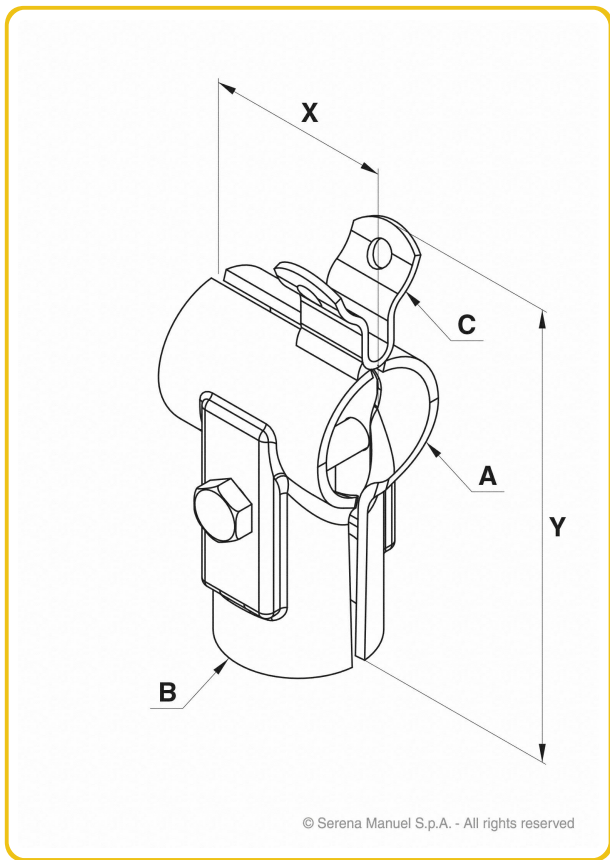
Split tee - head lock control bar support fitting (close)



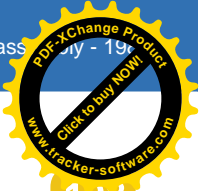
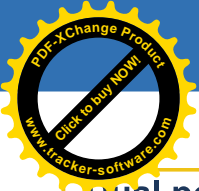
CODE	DIAMETERS				BOLTS AND NUTS		MINIMUM QUANTITY n°	CONTROL BAR		DIMENSIONS	
	A	B	A	B	n° 1	n° 2		C		X	Y
91630013	1"1/4	x 1"1/4	(42	x 42)	10x70	8x20	25	3/4"	(27)	65	170
91630023	1"1/2	x 1"1/4	(48	x 42)	10x70	8x20	25	3/4"	(27)	65	170



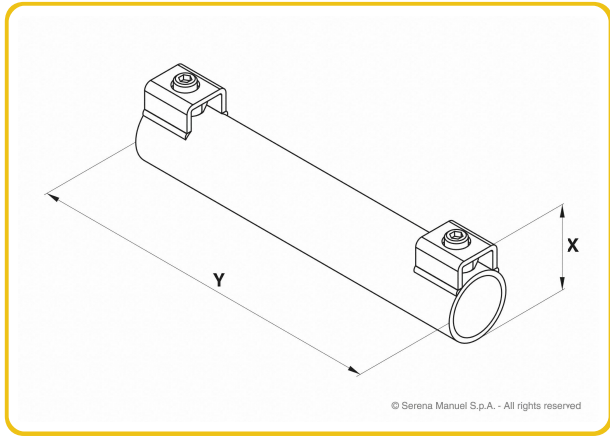
Split tee - head lock control bar support fitting (open)



CODE	DIAMETERS				BOLT AND NUT n° 1	MINIMUM QUANTITY n°	CONTROL BAR		DIMENSIONS	
	A	B	A	B			C	C	X	Y
91640013	1"1/4	1"1/4	(42)	(42)	10x70	25	3/4"	(27)	65	145
91640023	1"1/2	1"1/4	(48)	(42)	10x70	25	3/4"	(27)	65	145



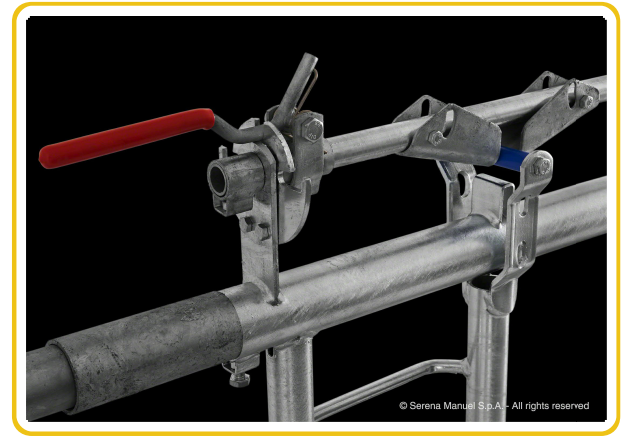
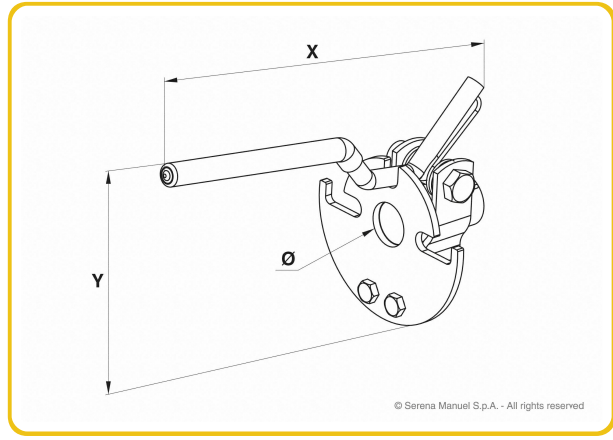
Dual position stop collar for head lock assembly



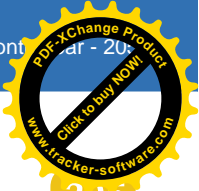
CODE	DIAMETER		NUTS	GRUB SCREWS	MINIMUM QUANTITY	DIMENSIONS	
			n° 2	n° 2	n°	X	Y
91980023	3/4"	(27)	M10	10x16	1	45	185
91980043	3/4"	(27)	M10	10x16	1	45	200



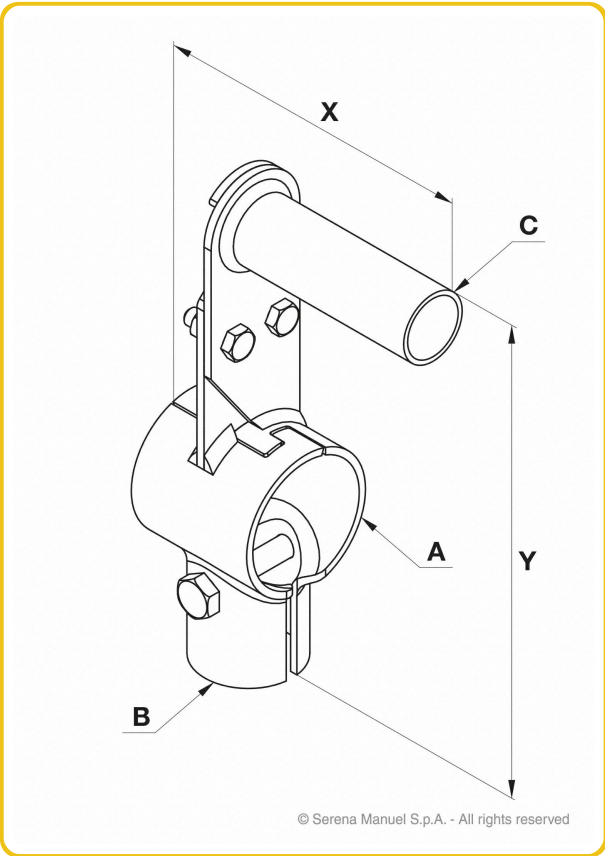
Locking lever with 3 settings



CODE	DIAMETER	MINIMUM QUANTITY	DIMENSIONS	
	A		X	Y
92040013	28	n° 1	250	155



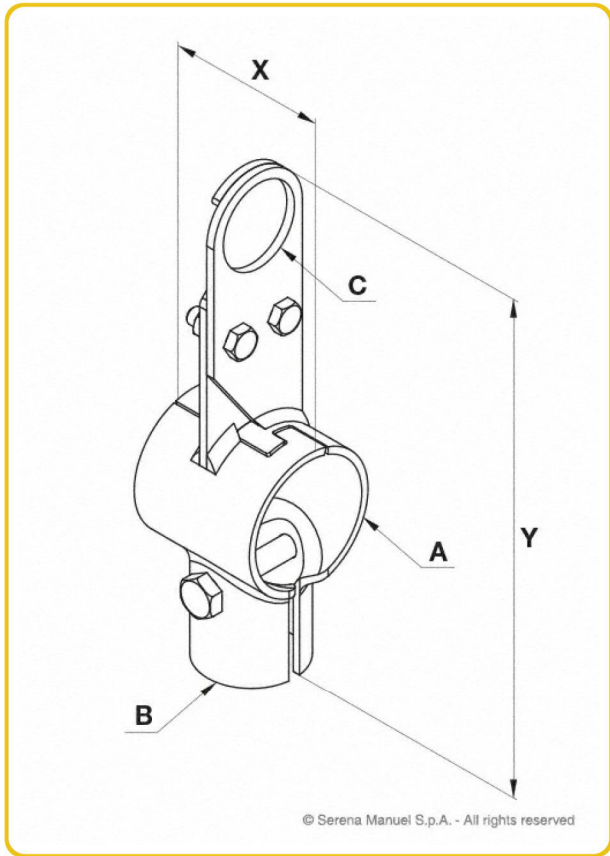
1 bolt clawed tee clamp with tubular stand for the Ø3/4" (27) control bar



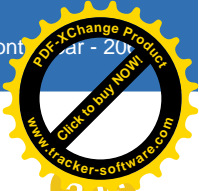
CODE	DIAMETER				CONTROL ROD DIAMETER	BOLT AND NUT	BOLTS AND NUTS	MINIMUM QUANTITY	DIMENSIONS	
	A	B	A	B					C	n° 1
92050053	1"1/4	x 3/4"	(42	x 27)	27	10x45	8x20	1	-	-
92050033	2"	x 1"	(60	x 33)	27	10x55	8x20	1	-	-
92050013	2"	x 1"1/4	(60	x 42)	27	10x60	8x20	1	137	126



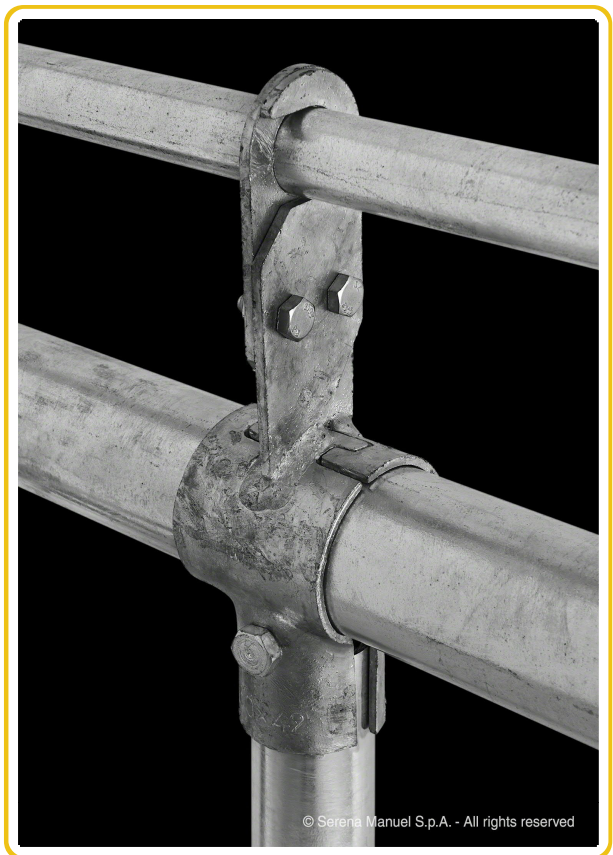
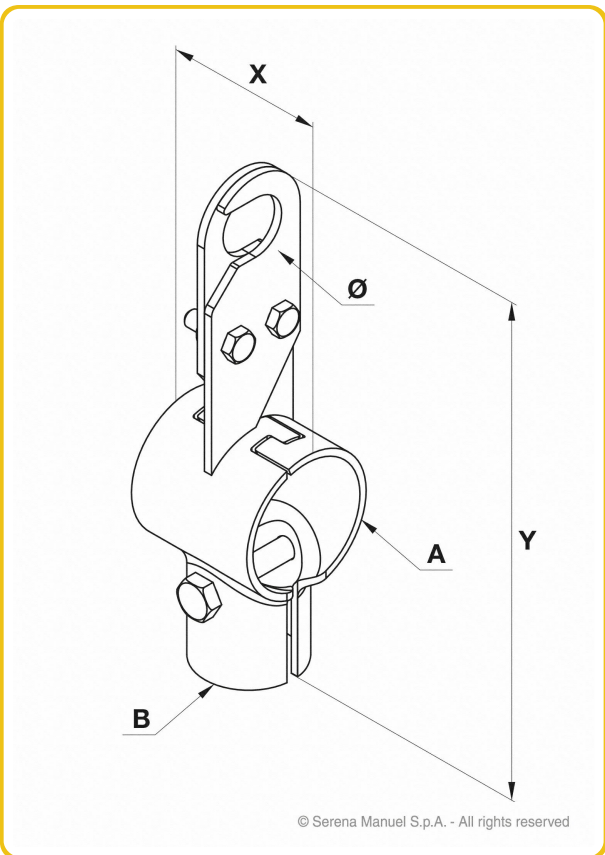
1 bolt clawed tee clamp with stand/bracket for the Ø3/4" (27) control rod



CODE	DIAMETER				CONTROL ROD DIAMETER	BOLT AND NUT	MINIMUM QUANTITY	DIMENSIONS	
	A	B	A	B				X	Y
92050023	1"1/4	x 3/4"	(42	x 27)	27	10x45	1	-	-
92050063	2"	x 1"	(60	x 33)	27	10x55	1	-	-
92050073	2"	x 1"1/4	(60	x 42)	27	10x60	1	-	-

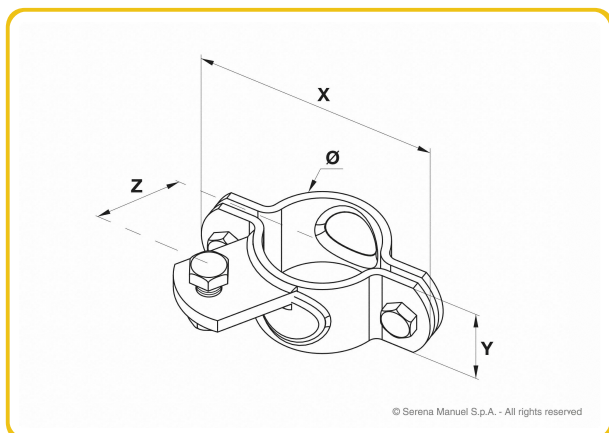


1 bolt clawed tee clamp with slotted holes stand for the Ø3/4" (27) control bar



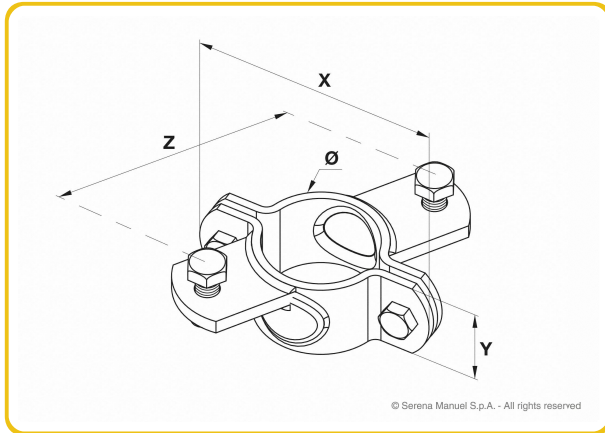
CODE	DIAMETER				CONTROL ROD DIAMETER Ø	BOLT AND NUT n° 1	BOLTS AND NUTS n° 2	MINIMUM QUANTITY n°	DIMENSIONS	
	A	B	A	B					X	Y
92060023	2" x 1"	(60 x 33)	3/4"	(27)	10x55	8x20	1	55	254	
92060013	2" x 1"1/4	(60 x 42)	3/4"	(27)	10x60	8x20	1	65	238	

Single sided hangers

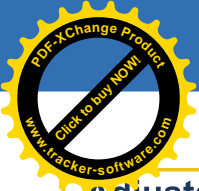


CODE	DIAMETER		BOLTS AND NUTS		MINIMUM QUANTITY	DIMENSIONS		
	Ø		n° 2	n° 1		n°	X	Y
92070043	1"1/4	(42)	10x25	12x30	1	115	45	54
92070023	2"	(60)	10x25	12x30	1	135	45	65
92070083	2"1/2	(76)	10x30	12x30	1	150	45	74
92070063	3"	(89)	10x30	12x30	1	175	40	83

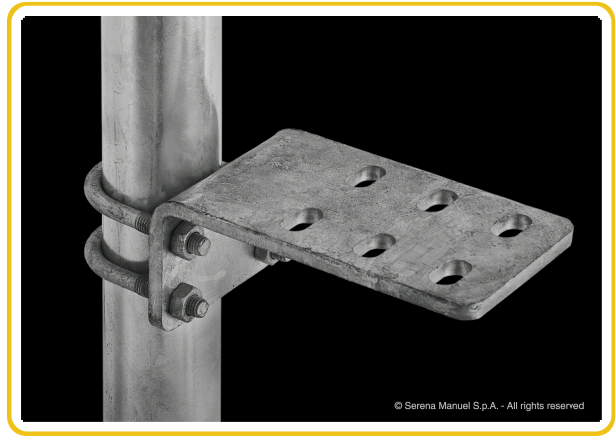
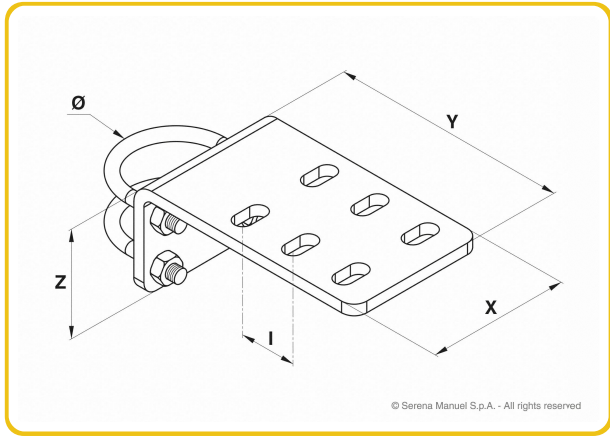
Double sided hangers



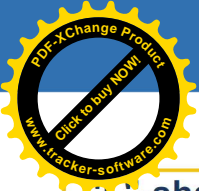
CODE	DIAMETER		BOLTS AND NUTS		MINIMUM QUANTITY	DIMENSIONS		
	Ø		n° 2	n° 2		n°	X	Y
92070033	1"1/4	(42)	10x25	12x30	1	115	45	108
92070013	2"	(60)	10x25	12x30	1	135	45	130
92070073	2"1/2	(76)	10x30	12x30	1	150	45	148
92070053	3"	(89)	10x30	12x30	1	175	40	166



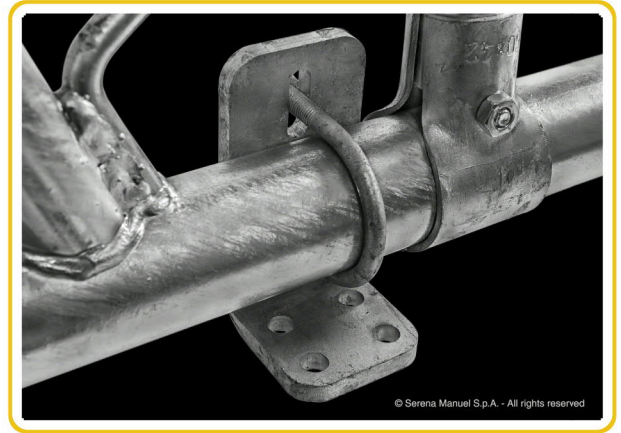
Adjustable tilting spacer for feed front



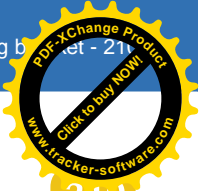
CODE	TUBE		FIXING SLOTS	MINIMUM QUANTITY	DIMENSIONS			
	Ø				X	Y	Z	I
92080023	2"	(60)	13 x 25	1	100	175	76	40



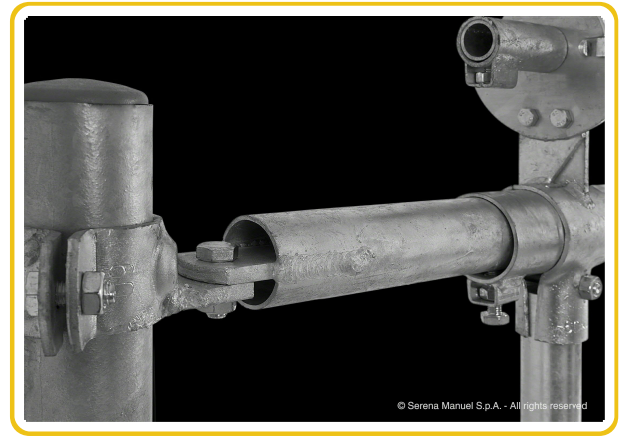
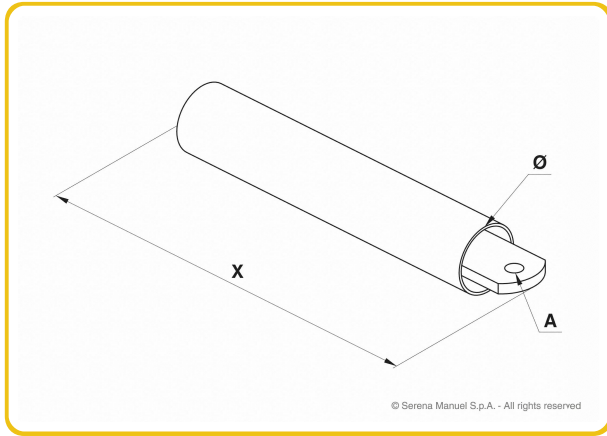
"L"-shaped-central support for 2"x1"1/4 feed front



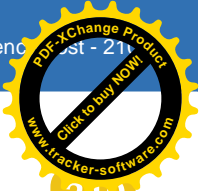
CODE	DIAMETER		SLOTTED HOLES	MINIMUM QUANTITY	DIMENSIONS				HOLES
					n°	A	B	C	
72100092	2"	(60)	11 x 30	1	40	30	31	91	13



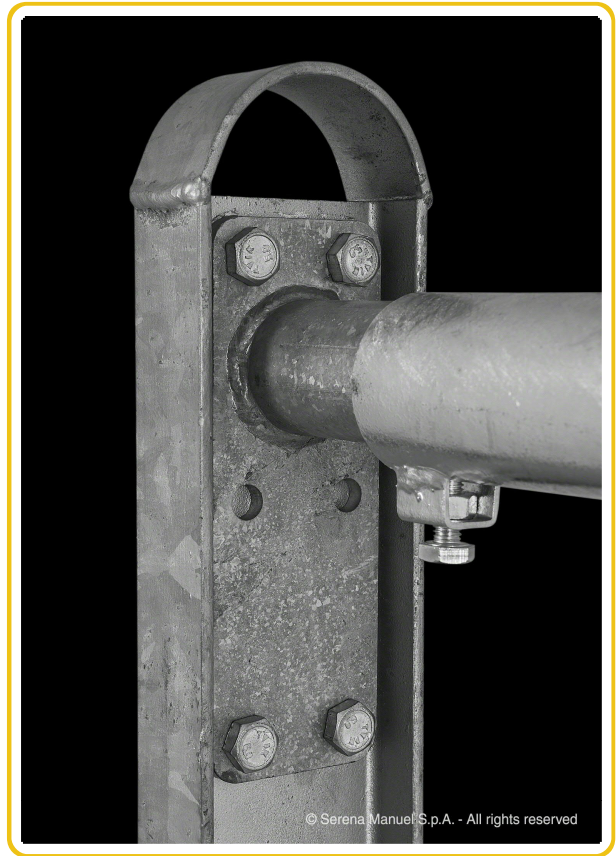
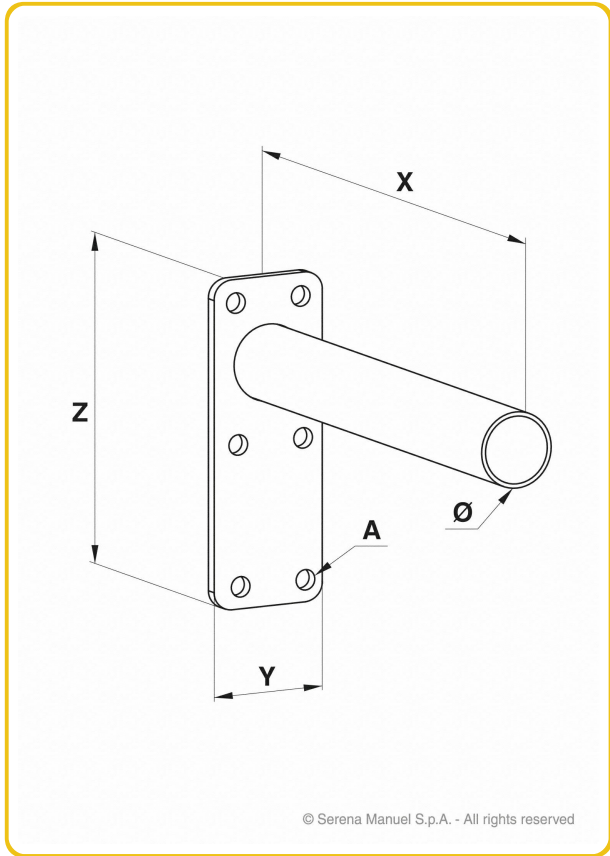
heavy duty telescoping bracket



CODE	TUBE	DIAMETER		FIXING HOLE		MINIMUM QUANTITY		DIMENSION	
			Ø	A	n°	X			
92100032	1"1/4 (42)		30	13	1	260			
92100012	2" (60)		50	13	1	312			



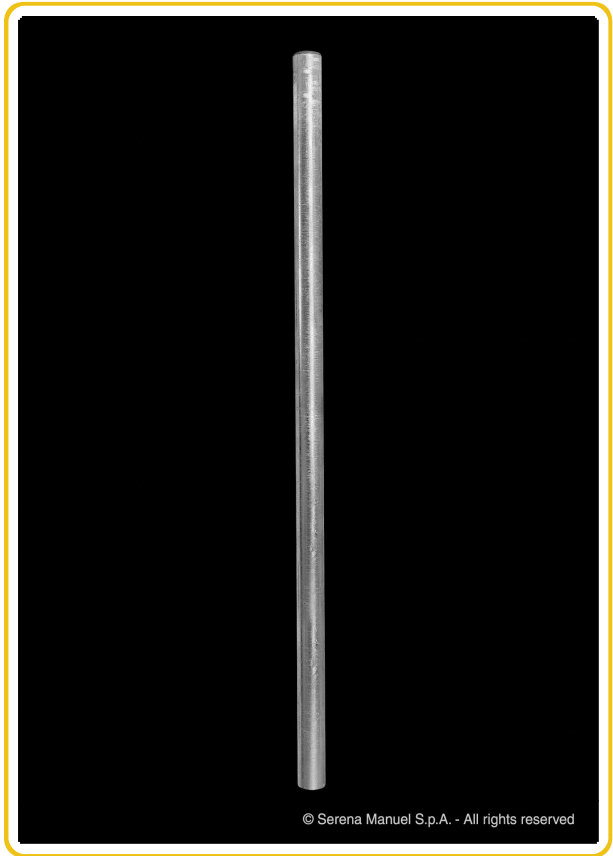
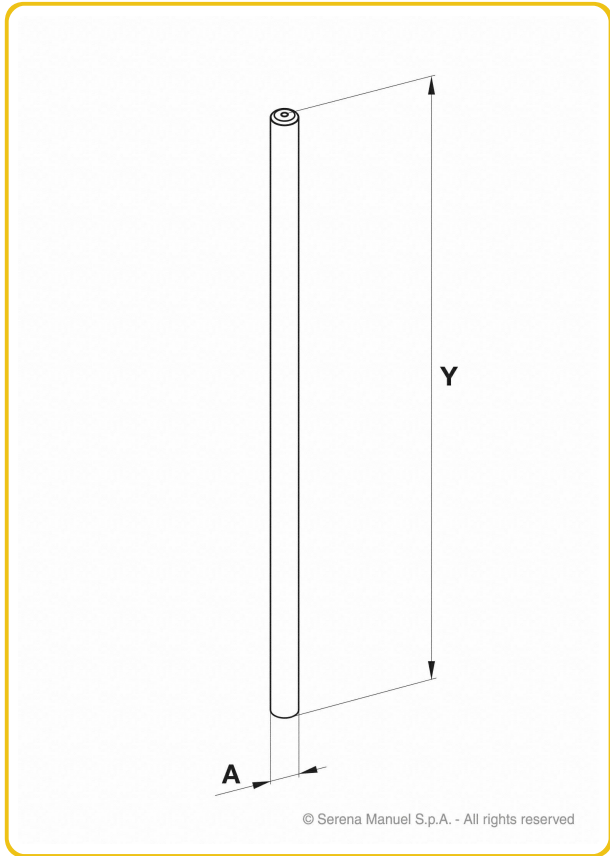
Telescoping bracket for fence post



CODE	TUBE	DIAMETER	FIXING HOLES	MINIMUM QUANTITY	DIMENSIONS		
					n°	X	Y
92100082	1"1/4 (42)	36	13	1	350	75	210
92100052	2" (60)	48	13	1	350	75	210



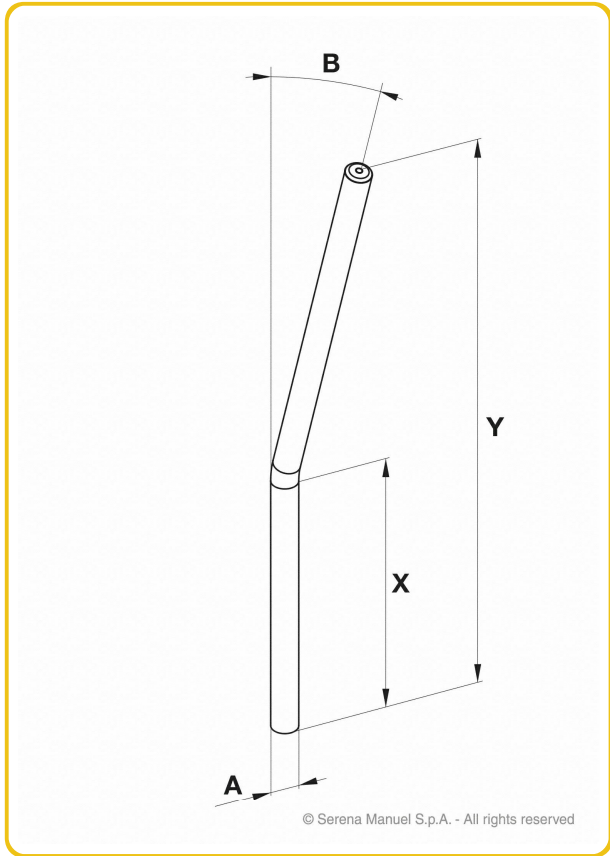
Ø2" (60), 1550-high-post with cap



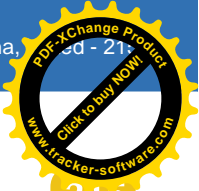
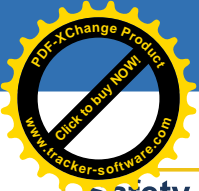
CODE	DIAMETER	MINIMUM QUANTITY	DIMENSION
92110012	A 2" (60)	n° 1	Y 1.550



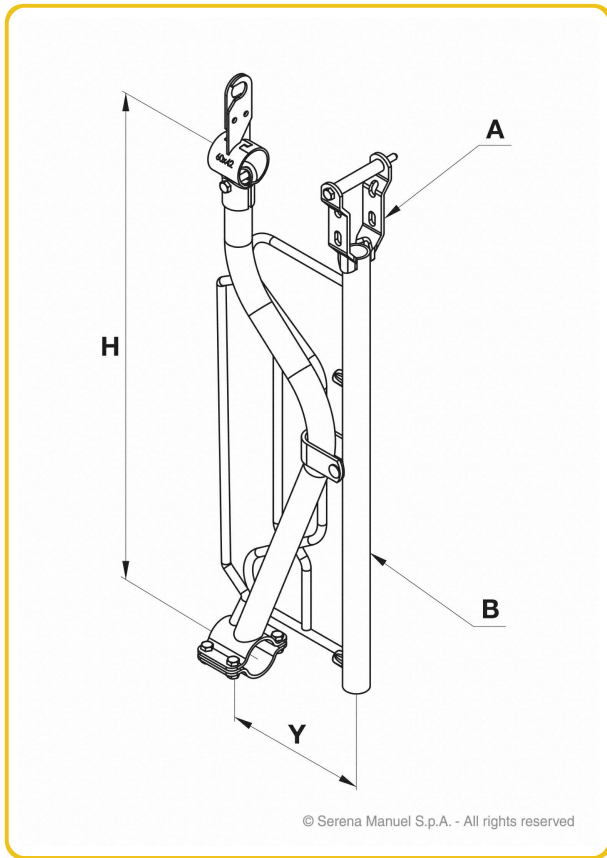
Ø2" (60), 1550-high-sloping post with cap



CODE	DIAMETER		ANGLE	MINIMUM QUANTITY	DIMENSIONS	
	A	B	n°		X	Y
92110022	2" (60)	14°	1	645	1550	



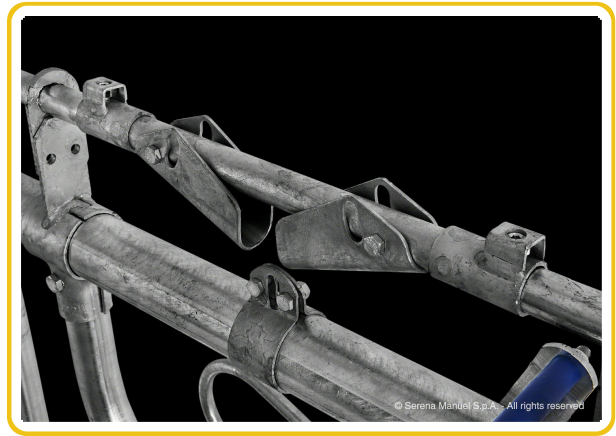
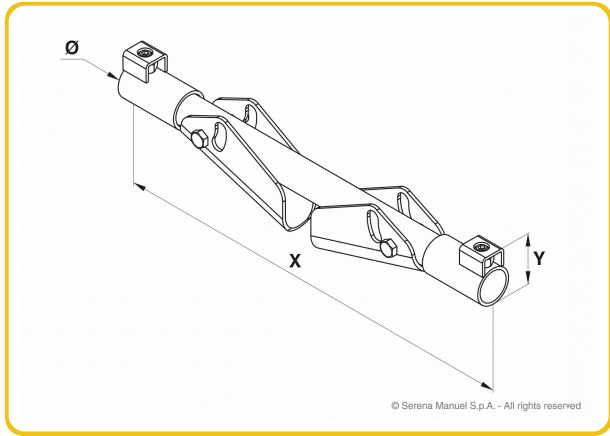
Safety self-locking unit Martina, bolted



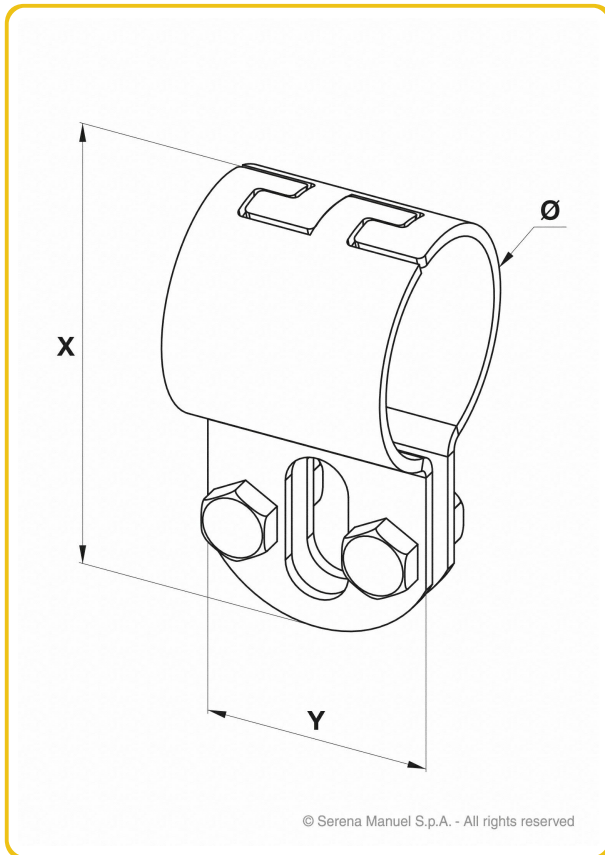
CODE	DIAMETERS				HEIGHT H	WIDTH Y	MINIMUM QUANTITY n°
	A	B	A	B			
92150023	1"1/4	3/4"	(42	x 27)	745	245	1
92150053	2"	1"	(60	x 33)	913	281	1
92150013	2"	1"1/4	(60	x 42)	916	288	1



Control bar for Martina Headlock bolted



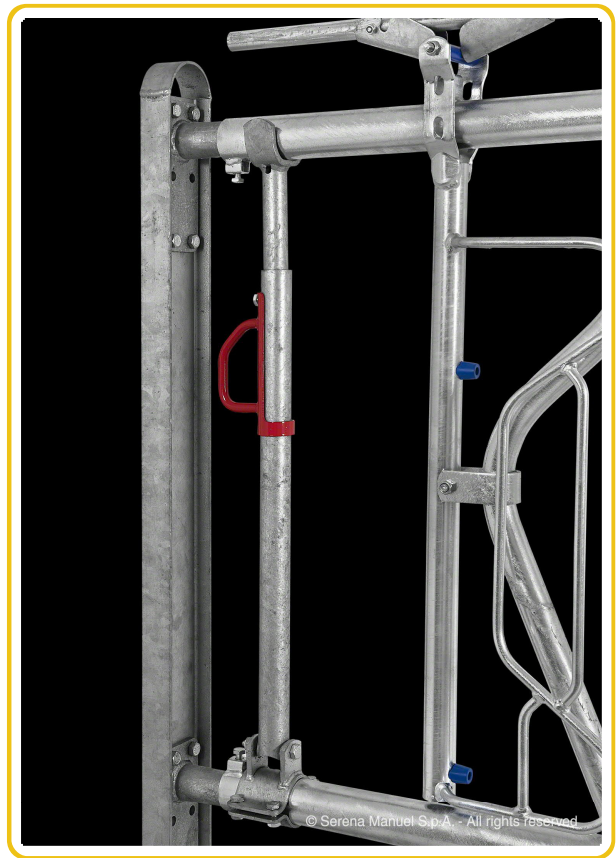
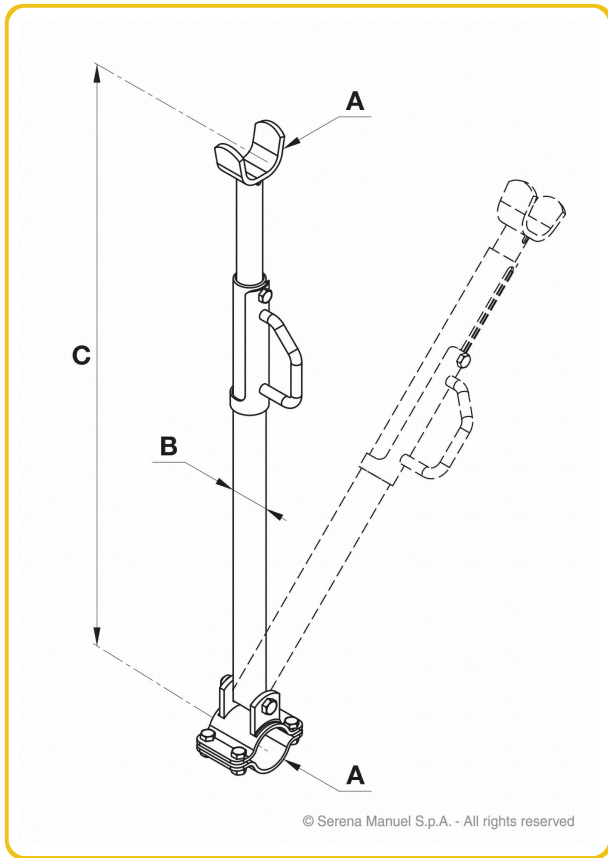
CODE	DIAMETERS		MINIMUM QUANTITY	DIMENSIONS	
	Ø			X	Y
92150063	3/4"	(27)	1	390	48



CODE	DIAMETERS		BOLTS AND NUTS	MINIMUM QUANTITY	DIMENSIONS	
	Ø				n°	X
92150093	1"1/4	(42)	8x20	1	87	45
92150103	2"	(60)	8x20	1	98	45



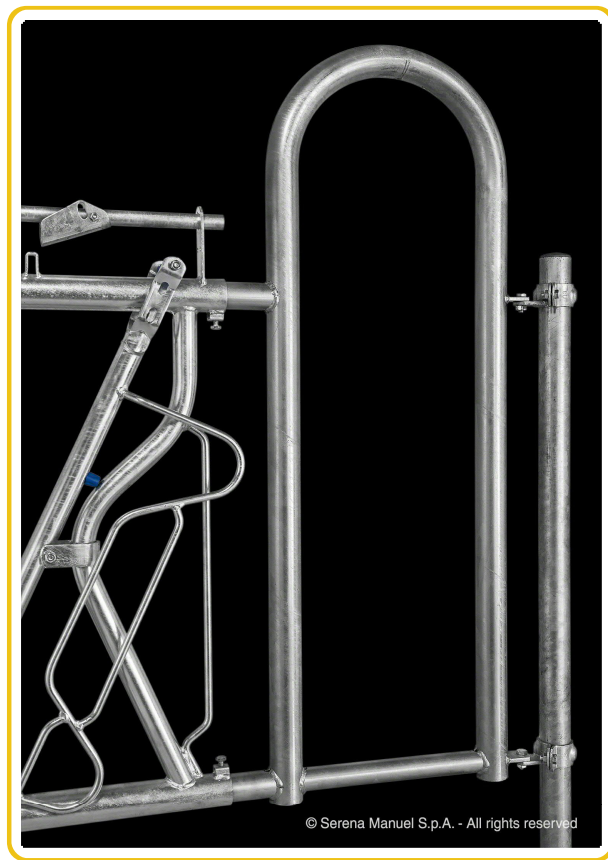
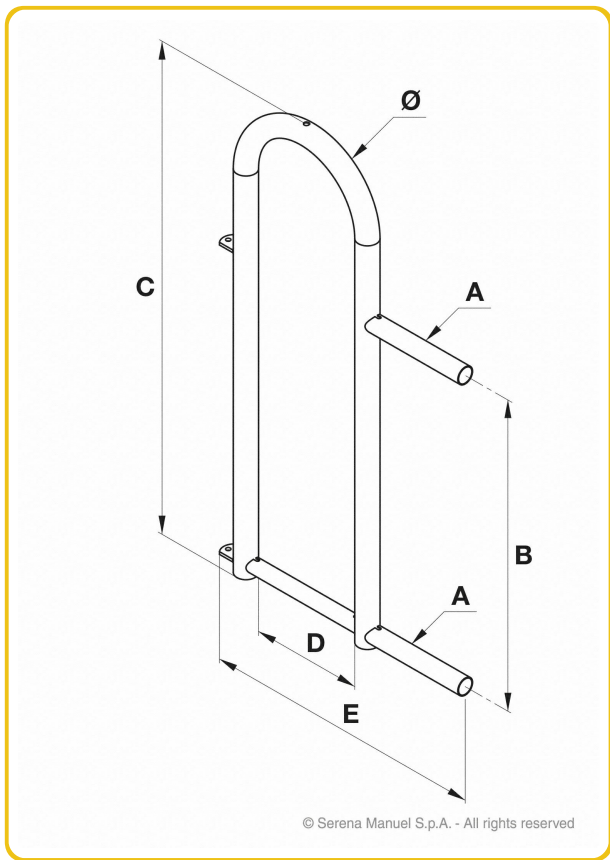
Man escape feed front Martina 2"x1"1/4



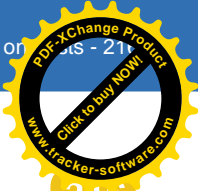
CODE	MINIMUM QUANTITY	DIMENSIONS		
		A	B	C
92160013	n° 1	2" (60)	1"1/4 (42)	903



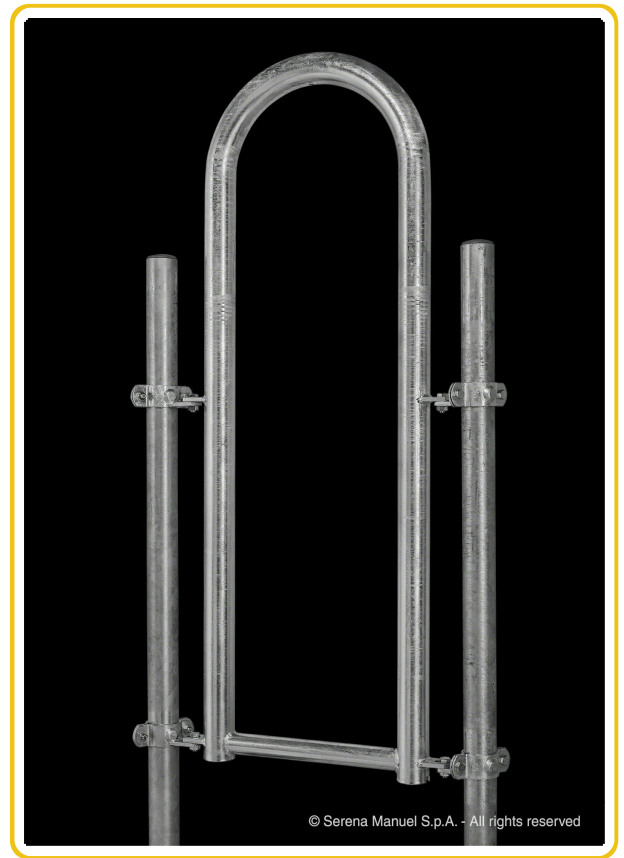
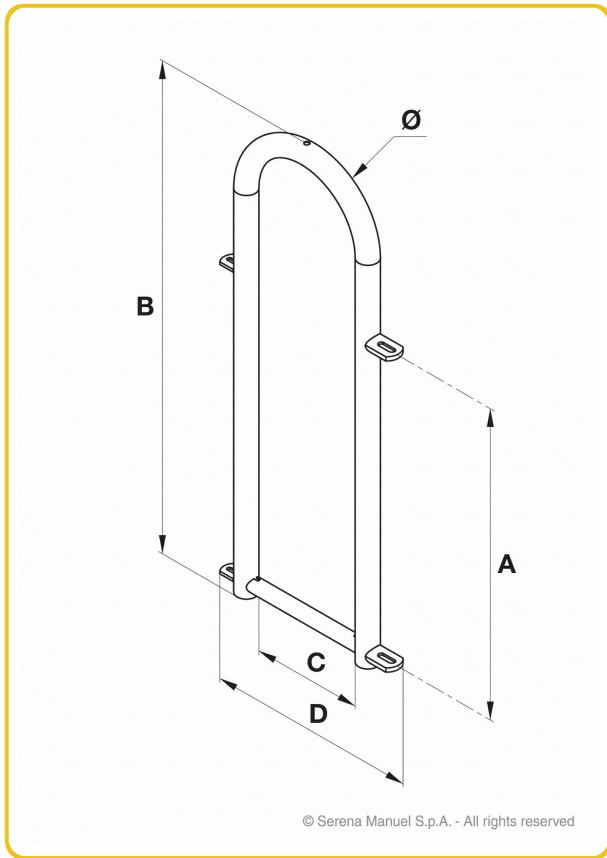
Arched man escape for feed front Martina 2"x1"1/4



CODE	DIAMETER		MINIMUM QUANTITY	DIMENSIONS				
	Ø			A	B	C	D	E
92160022	2"	(60)	1	1"1/4 (48)	913	1.420	350	815



Arched man escape to be mounted on posts



CODICE	DIAMETRO		QUANTITÀ MINIMA	DIMENSIONI			
	Ø	(mm)		A	B	C	D
92160032	2"	(60)	1	700	1.450	345	815