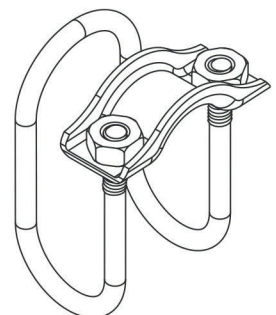
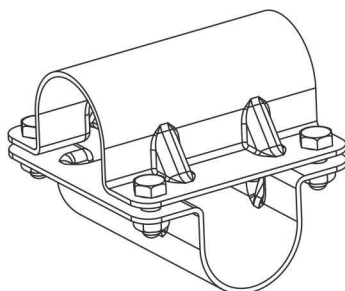
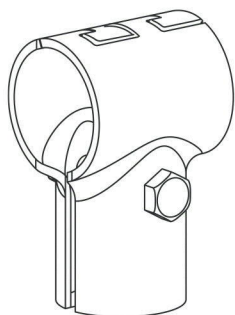




# Clamps

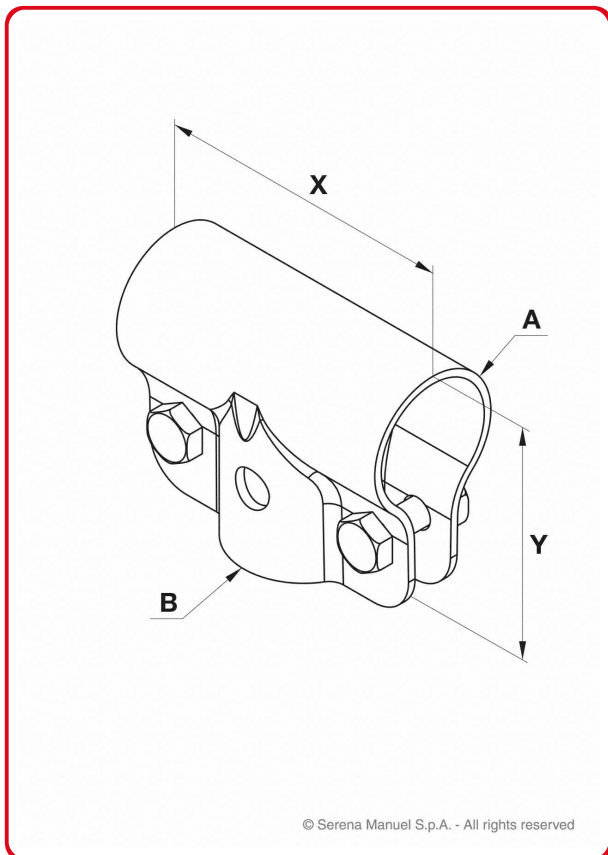




**EN** For this category we refer the reader to the “Technical notes”



## Tee clamp 1 part

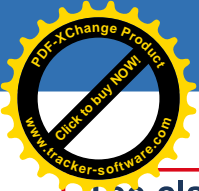


CODE	DIAMETERS				BOLTS AND NUTS	MINIMUM QUANTITY	DIMENSIONS	
	A	B	A	B			X	Y
90010013	3/4" x 3/4"		(27 x 27)		n° 2	n°	100	73
90010023	1" x 3/4"		(33 x 27)		n° 2	n°	100	82
90010033	1" x 1"		(33 x 33)		n° 2	n°	100	80
90010043	1"1/4 x 1"		(42 x 33)		n° 2	n°	100	90
90010053	1"1/4 x 1"1/4		(42 x 42)		n° 2	n°	110	88
90010063	1"1/4 x 1"1/2		(42 x 48)		n° 2	n°	110	94
90010073	1"1/4 x 2"		(42 x 60)		n° 2	n°	145	105
90010083	1"1/2 x 1"		(48 x 33)		n° 2	n°	110	94
90010093	1"1/2 x 1"1/4		(48 x 42)		n° 2	n°	110	96
90010103	1"1/2 x 1"1/2		(48 x 48)		n° 2	n°	120	94
90010113	1"1/2 x 2"		(48 x 60)		n° 2	n°	145	98

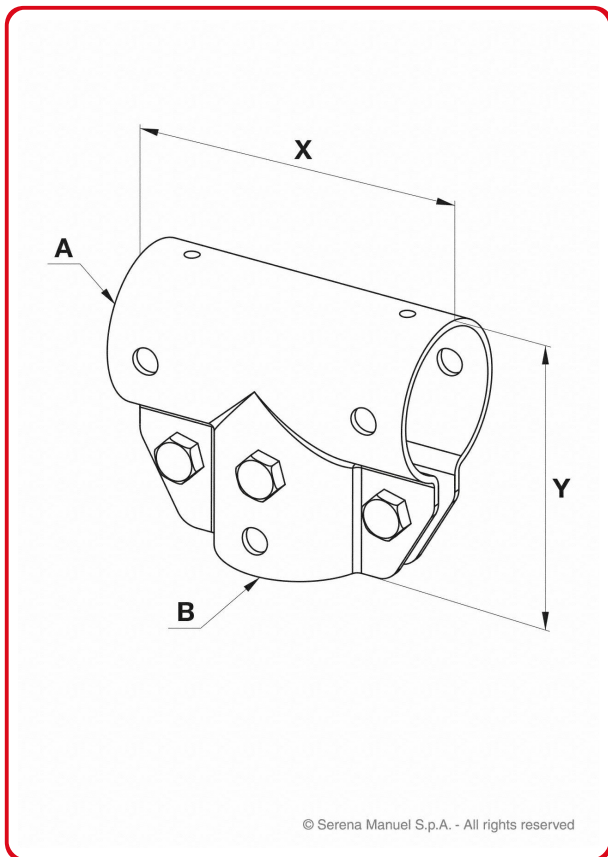


90010123	2" x 1"	(60 x 33)	10x40	10	110	104
90010133	2" x 1"1/4	(60 x 42)	10x40	10	110	106
90010143	2" x 1"1/2	(60 x 48)	10x35	10	120	106
90010153	2" x 2"	(60 x 60)	10x35	10	145	112
90010213	2"1/2 x 2"	(76 x 60)	12x40	5	165	138
90010203	2"1/2 x 2"1/2	(76 x 76)	12x40	5	165	138



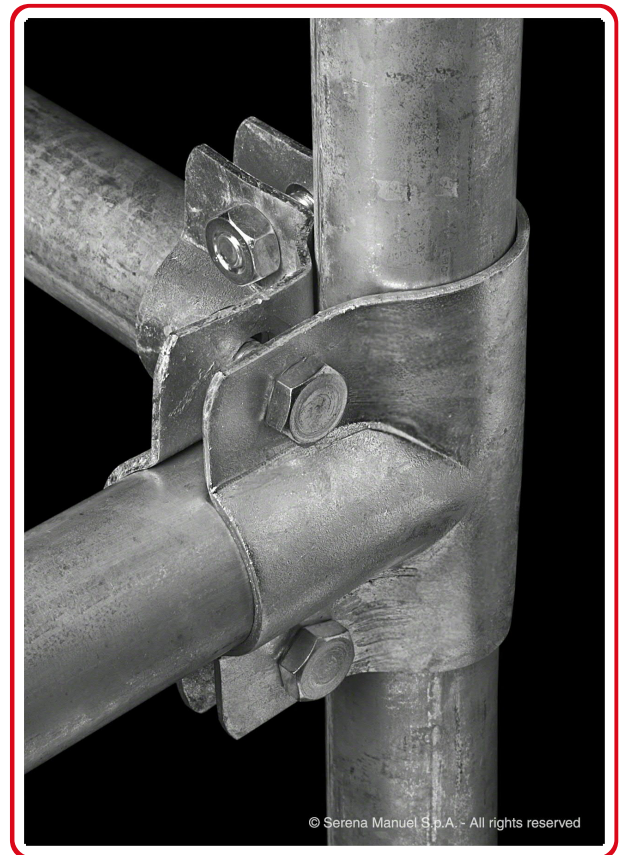
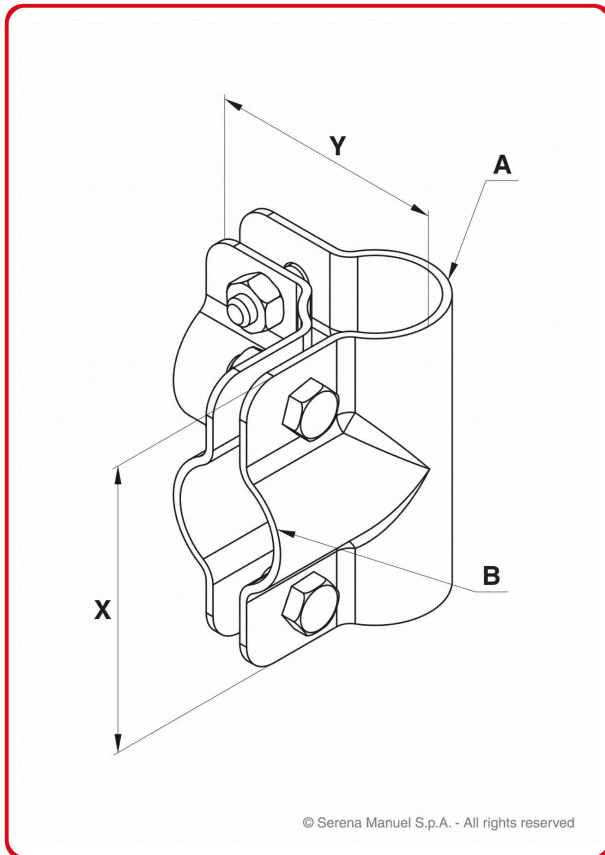


# Tee clamp 1 part comfort



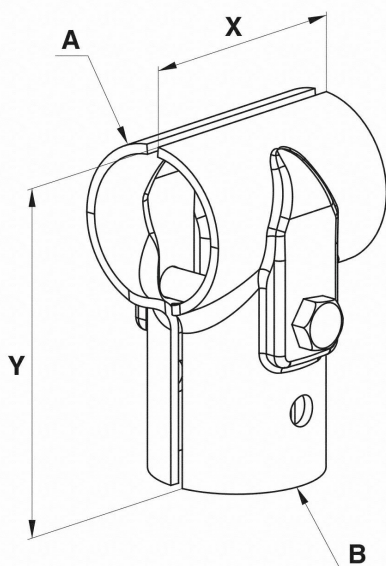
CODE	DIAMETERS				BOLTS AND NUTS		MINIMUM QUANTITY	DIMENSIONS	
	A	B	A	B	n° 2	n° 1		X	Y
90010223	2" x 1"		(60 x 33)		10x40	-	10	135	104
90010233	2" x 1"1/4		(60 x 42)		10x40	-	10	135	106
90010243	2" x 1"1/2		(60 x 48)		10x40	-	10	135	106
90010253	2" x 2"		(60 x 60)		10x40	10x75	10	135	112

## 4 bolt angle cross joint - 90 degrees



CODE	DIAMETERS				BOLTS AND NUTS	MINIMUM QUANTITY	DIMENSIONS	
	A	B	A	B			X	Y
90020013	3/4" x 3/4"		(27 x 27)		n° 4 10x25	n° 25	100	77
90020023	1" x 3/4"		(33 x 27)		10x25	25	100	82
90020033	1" x 1"		(33 x 33)		10x30	25	100	86
90020043	1"1/4 x 1"		(42 x 33)		10x30	25	100	91
90020053	1"1/4 x 1"1/4		(42 x 42)		10x30	10	110	92
90020063	1"1/2 x 1"		(48 x 33)		10x30	10	110	100
90020073	1"1/2 x 1"1/4		(48 x 42)		10x30	10	110	100
90020083	1"1/2 x 1"1/2		(48 x 48)		10x30	10	120	96
90020093	2" x 1"1/2		(60 x 48)		10x30	10	110	115
90020103	2" x 2"		(60 x 60)		10x30	10	145	120

## Tee clamp (2 part)



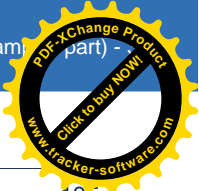
© Serena Manuel S.p.A. - All rights reserved



© Serena Manuel S.p.A. - All rights reserved

CODE	DIAMETERS				BOLT AND NUT	MINIMUM QUANTITY	DIMENSIONS	
	A	B	A	B			X	Y
90030013	3/8" x 3/8"		(17 x 17)		8x35	25	30	60
90030023	1/2" x 3/8"		(21 x 17)		8x35	25	30	68
90030033	1/2" x 1/2"		(21 x 21)		8x35	25	35	68
90030233			25 x 25		10x45	25	40	78
90030043	3/4" x 1/2"		(27 x 21)		8x40	25	35	78
90030053	3/4" x 3/4"		(27 x 27)		8x50	25	45	78
90030423			30 x 30		10x45	25	50	90
90030063	1" x 1/2"		(33 x 21)		8x40	25	35	83
90030073	1" x 3/4"		(33 x 27)		10x50	25	45	86
90030083	1" x 1"		(33 x 33)		10x55	25	55	90
90030093	1"1/4 x 3/4"		(42 x 27)		10x50	25	45	97



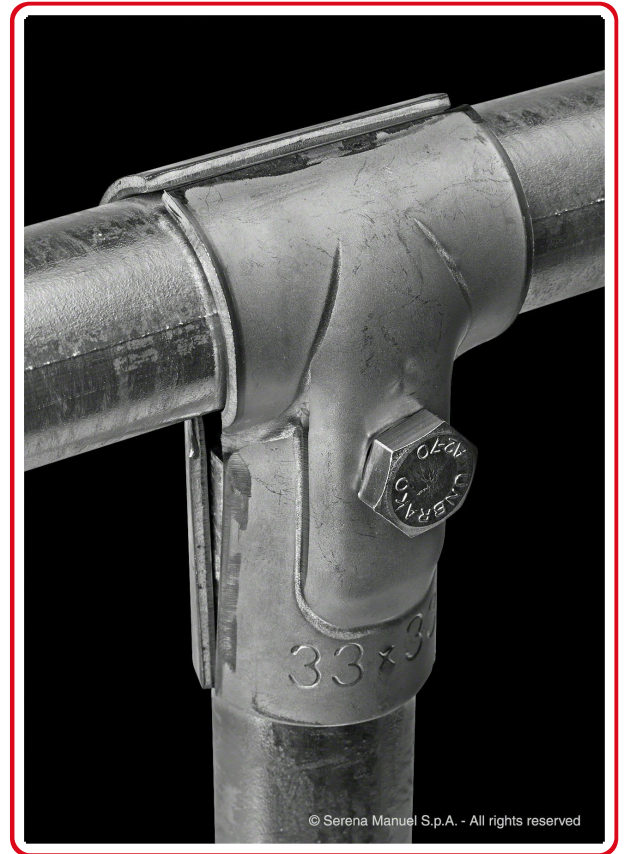
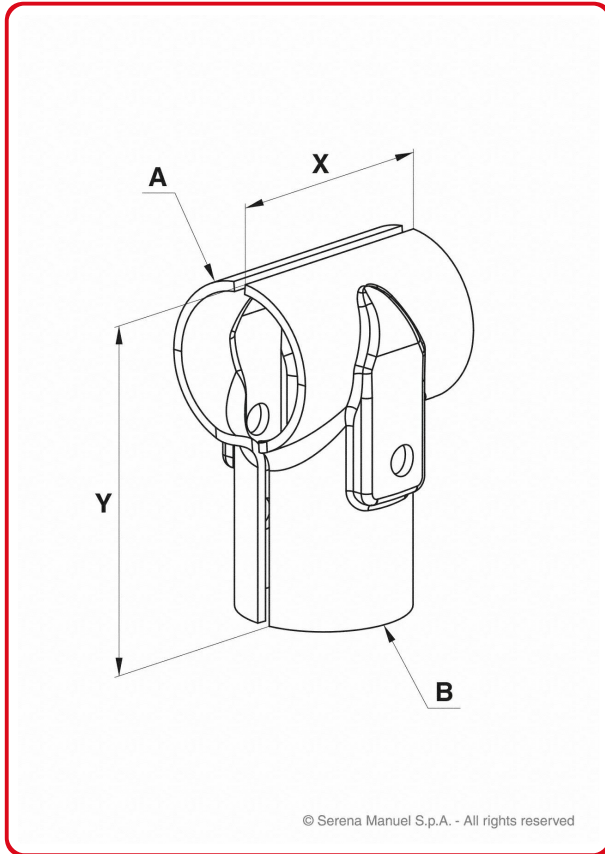


90030103	1"1/4 x 1"	(42 x 33)	10x60	25	55	105
90030113	1"1/4 x 1"1/4	(42 x 42)	10x70	25	65	107
90030483	1"1/4 x 1"1/2	(42 x 48)	10x80	25	75	131
90030123	1"1/2 x 3/4"	(48 x 27)	10x50	25	45	108
90030133	1"1/2 x 1"	(48 x 33)	10x60	25	55	115
90030143	1"1/2 x 1"1/4	(48 x 42)	10x70	10	65	115
90030153	1"1/2 x 1"1/2	(48 x 48)	12x75	10	75	120
90030163	1"1/2 x 2"	(48 x 60)	12x90	10	95	125
90030203	2" x 1"	(60 x 33)	10x60	10	55	130
90030173	2" x 1"1/4	(60 x 42)	10x70	10	65	125
90030183	2" x 1"1/2	(60 x 48)	12x75	10	75	135
90030193	2" x 2"	(60 x 60)	12x90	10	95	136
90030493	2" x 2"1/2	(60 x 76)	12x100	10	105	153
90030243	2"1/2 x 1"1/2	(76 x 48)	12x80	10	75	153
90030213	2"1/2 x 2"	(76 x 60)	12x90	10	95	153
90030463	3" x 2"	(89 x 60)	12x90	1	95	185
90030473	3"1/2 x 2"	(102 x 60)	12x90	1	95	197
90030453	4" x 2"	(114 x 60)	12x90	1	95	212

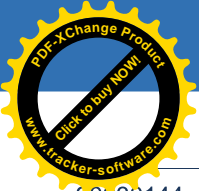


## Tee clamp (2 part)

## Stainless steel

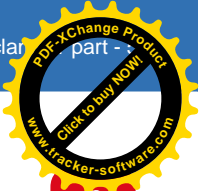


CODE	DIAMETERS				MINIMUM QUANTITY	DIMENSIONS	
	A	B	A	B		n°	X
90030034	1/2" x 1/2"		(21 x 21)		25	35	68
90030054	3/4" x 3/4"		(27 x 27)		25	45	78
90030074	1" x 3/4"		(33 x 27)		25	45	86
90030084	1" x 1"		(33 x 33)		25	55	90
90030094	1"1/4 x 3/4"		(42 x 27)		25	45	97
90030104	1"1/4 x 1"		(42 x 33)		25	55	105
90030114	1"1/4 x 1"1/4		(42 x 42)		25	65	107
90030124	1"1/2 x 3/4"		(48 x 27)		25	45	108
90030134	1"1/2 x 1"		(48 x 33)		25	55	115

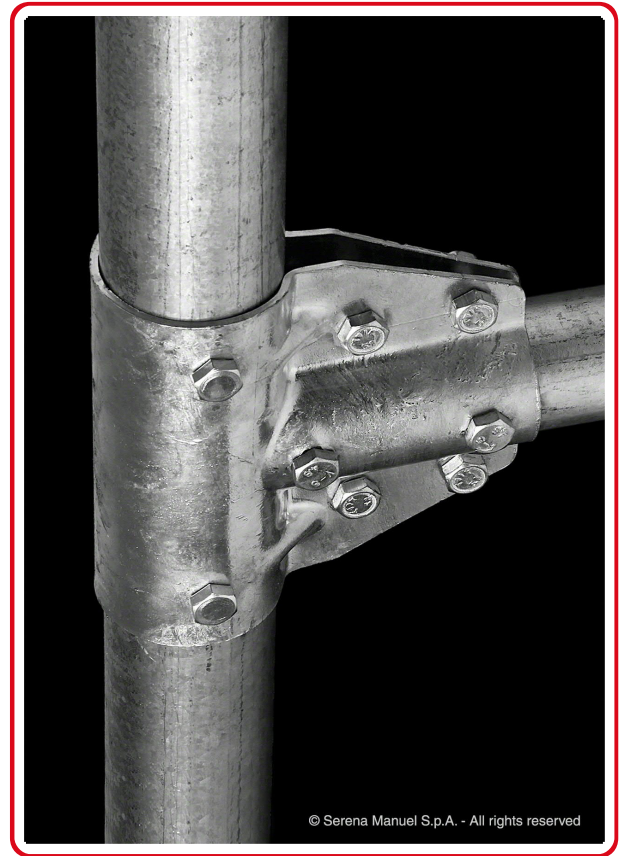
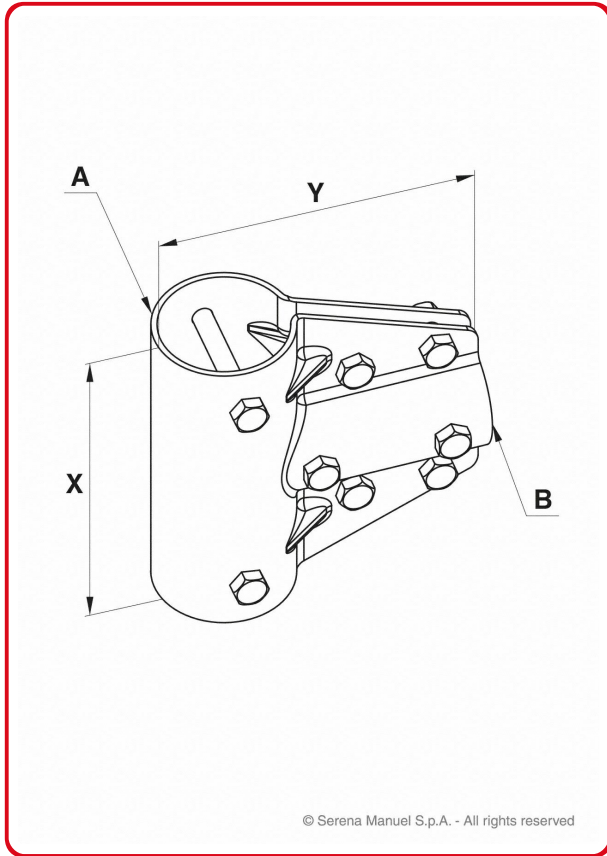


90030144	1"1/2 x 1"1/4	(48 x 42)	10	65	115
90030154	1"1/2 x 1"1/2	(48 x 48)	10	75	120
90030164	1"1/2 x 2"	(48 x 60)	10	95	125
90030174	2" x 1"1/4	(60 x 42)	10	65	125
90030184	2" x 1"1/2	(60 x 48)	10	75	135
90030194	2" x 2"	(60 x 60)	10	95	136





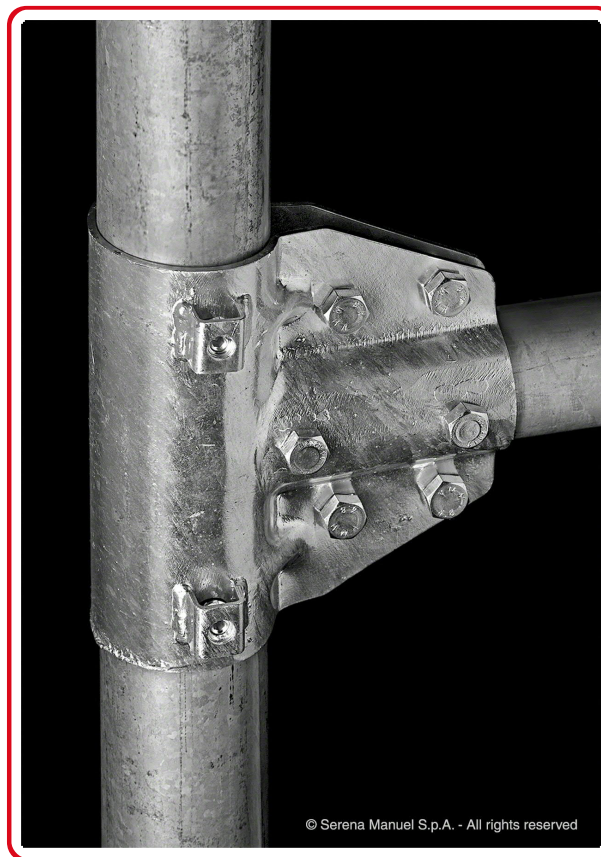
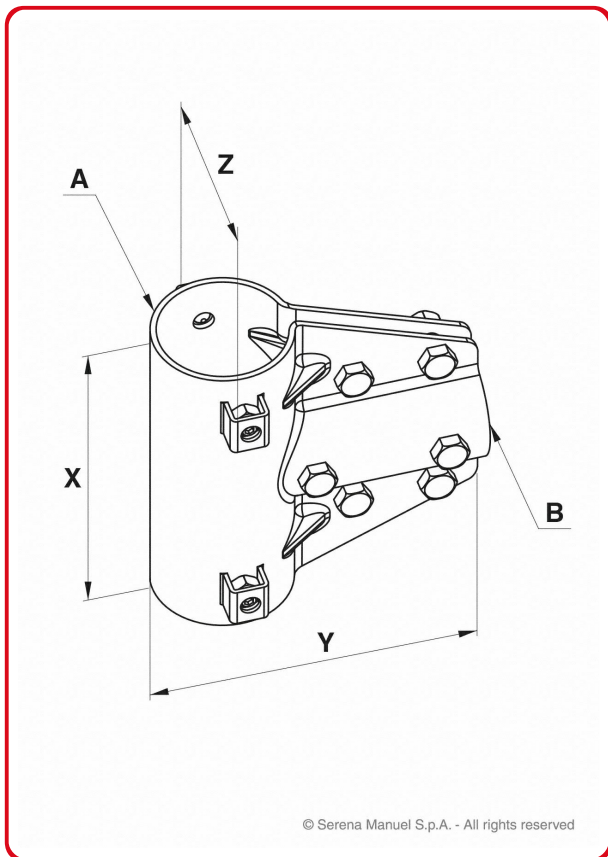
# heavy duty tee clamp 1 part



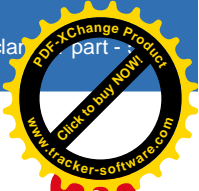
CODE	DIAMETERS				BOLTS AND NUTS			MINIMUM QUANTITY	DIMENSIONS	
	A	B	A	B	n° 2	n° 2	n° 4		n°	X
90050013	2"1/2	2"	(76)	(60)	12x100	12x90	12x40	1	200	192
90050053	3"	2"	(89)	(60)	12x110	12x90	12x40	1	200	203



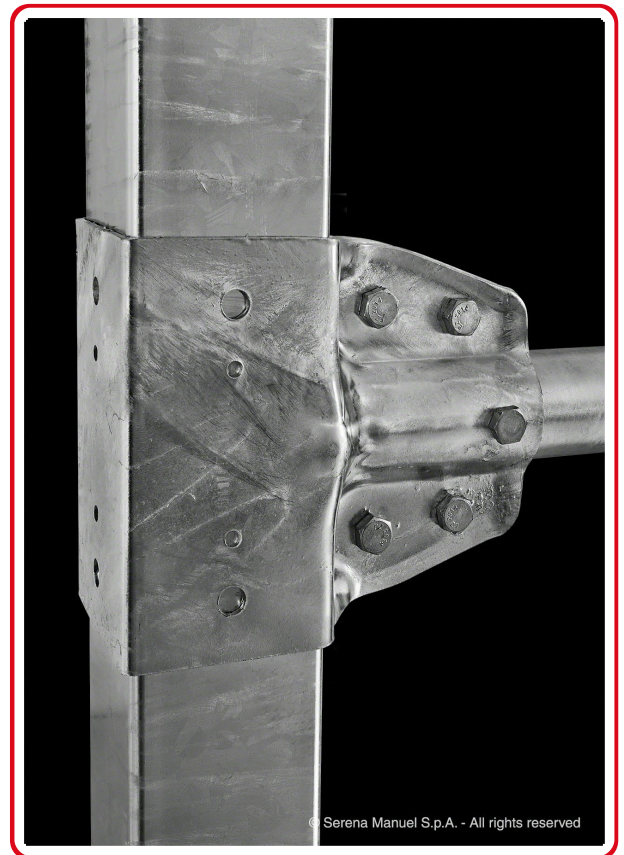
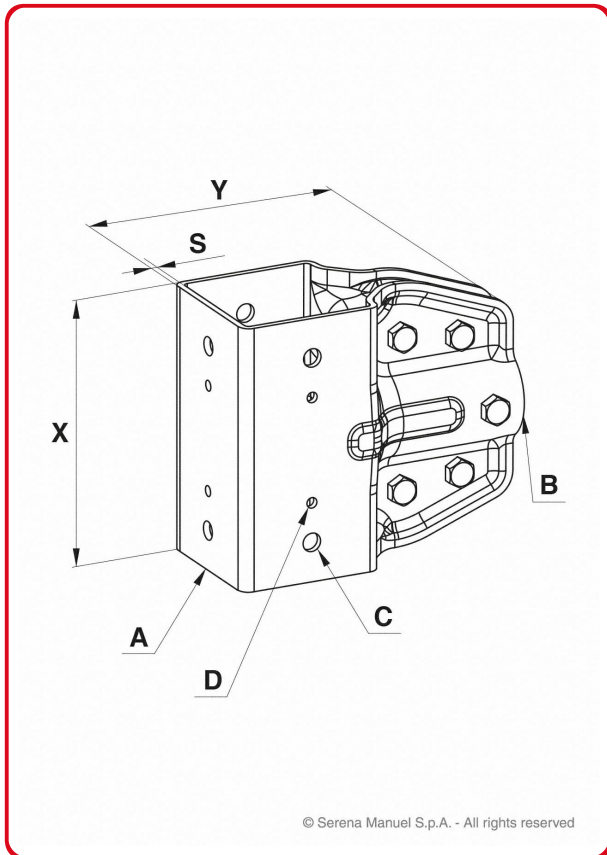
# heavy duty tee clamp 1 part with nut cages



CODE	DIAMETERS				NUTS n° 4	GRUB SCREWS n° 4	BOLTS AND NUTS		MINIMUM QUANTITY n°	DIMENSIONS		
	A	B	A	B			n° 4	n° 2		X	Y	Z
90050063	2"1/2 x 2"	(76 x 60)	M10	10x16	12x40	12x90	1	200	192	115		
90050103	3" x 2"	(89 x 60)	M10	10x16	12x40	12x90	1	200	203	128		



# heavy duty square tee clamp 1 part

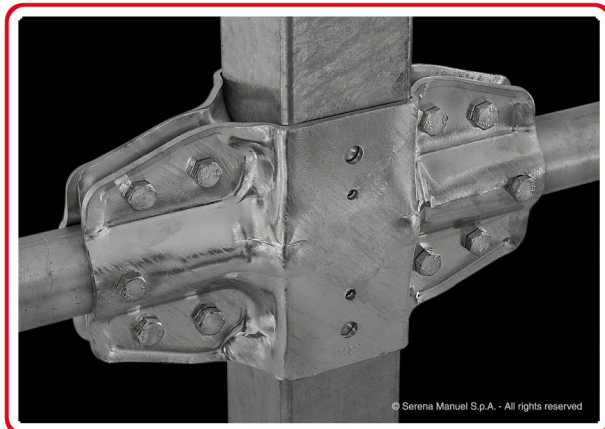


CODICE	DIAMETERS				BOLTS AND NUTS		MINIMUM QUANTITY	DIMENSIONS				
	A	B	A	B	n° 4	n° 1		n°	X	Y	C	D
90050163	100x100	x 2"	(100x100	x 60)	12x40	12x90	1	200	235	13	8	5



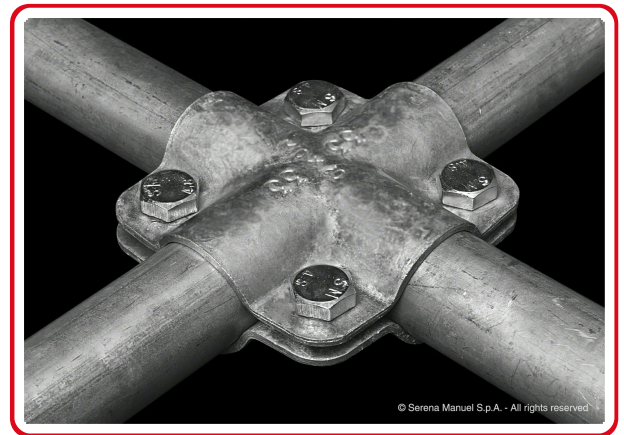
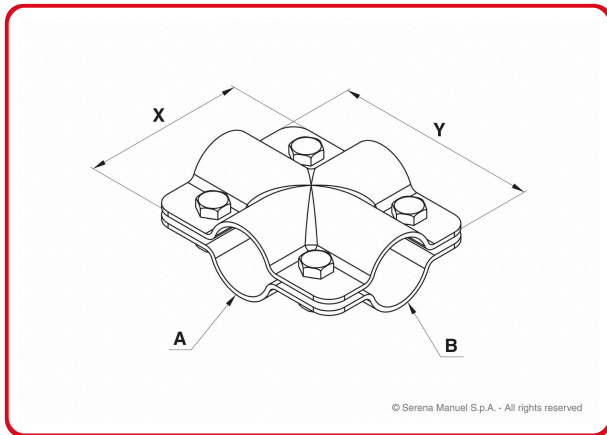


# heavy duty square cross joint



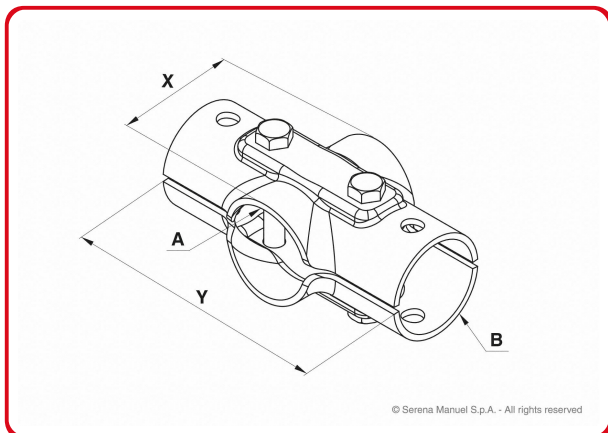
CODE	DIAMETERS				BOLTS AND NUTS		MINIMUM QUANTITY	DIMENSIONS	
	A	B	A	B	n° 2	n° 8	n°	X	Y
90060053	100x100	x 2"	(100x100	x 60)	12x90	12x40	1	365	200

## 4 bolt flat cross joint



CODE	DIAMETERS		BOLTS AND NUTS		MINIMUM QUANTITY	DIMENSIONS	
	A	B	A	B		n°	X
90070013	3/4" x 3/4"	(27 x 27)	10x20	n° 4	10	100	100
90070023	1" x 1"	(33 x 33)	10x20	n° 4	10	100	100
90070033	1"1/4 x 1"	(42 x 33)	10x20	n° 4	10	100	125
90070043	1"1/4 x 1"1/4	(42 x 42)	10x25	n° 4	10	110	145
90070053	1"1/2 x 1"1/4	(48 x 42)	10x25	n° 4	10	110	135
90070063	1"1/2 x 1"1/2	(48 x 48)	10x25	n° 4	10	115	135
90070073	2" x 1"1/4	(60 x 42)	10x25	n° 4	10	120	145
90070083	2" x 1"1/2	(60 x 48)	10x25	n° 4	10	120	145
90070093	2" x 2"	(60 x 60)	10x25	n° 4	5	135	155
90070143	2"1/2 x 1"1/2	(76 x 48)	10x25	n° 4	10	150	180
90070133	2"1/2 x 2"	(76 x 60)	12x30	n° 4	5	140	170

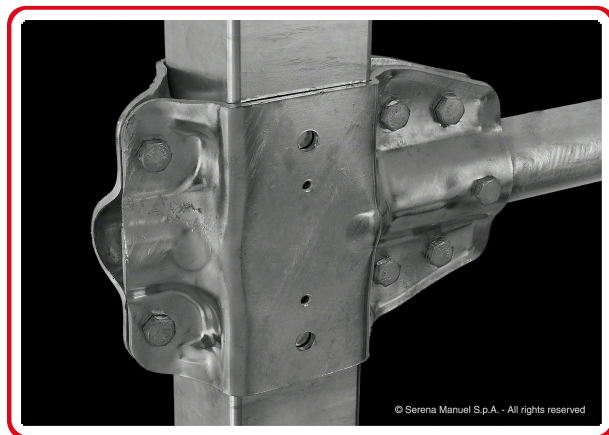
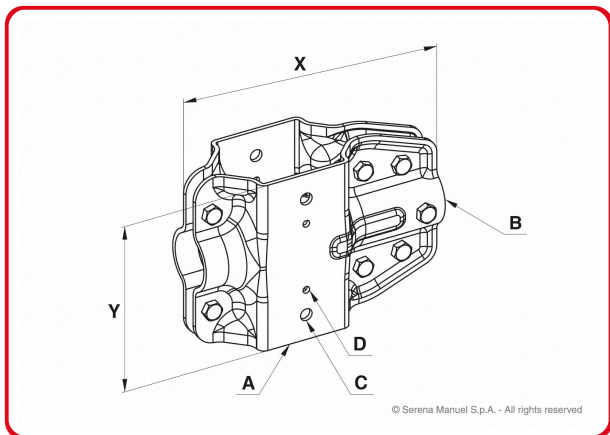
## 2 bolt cross joint



CODE	DIAMETERS				BOLTS AND NUTS	MINIMUM QUANTITY	DIMENSIONS	
	A	B	A	B			X	Y
90080023	1/2" x 1/2"	(21 x 21)	8x35	25	35	110		
90080143	3/4" x 1/2"	(27 x 21)	10x40	25	45	127		
90080033	3/4" x 3/4"	(27 x 27)	10x50	25	45	130		
90080043	1" x 3/4"	(33 x 27)	10x50	25	45	130		
90080053	1" x 1"	(33 x 33)	10x55	10	55	135		
90080063	1"1/4 x 1"	(42 x 33)	10x55	10	55	155		
90080073	1"1/4 x 1"1/4	(42 x 42)	10x65	10	65	155		
90080083	1"1/2 x 1"	(48 x 33)	10x55	10	55	160		
90080093	1"1/2 x 1"1/4	(48 x 42)	10x65	10	65	170		
90080103	1"1/2 x 1"1/2	(48 x 48)	12x75	10	75	185		
90080113	2" x 1"1/4	(60 x 42)	10x65	10	65	175		
90080123	2" x 1"1/2	(60 x 48)	12x75	10	75	180		
90080133	2" x 2"	(60 x 60)	12x85	5	95	185		
90080183	2"1/2 x 1"1/2	(76 x 48)	12x75	5	75	220		
90080173	2"1/2 x 2"	(76 x 60)	12x90	5	95	225		



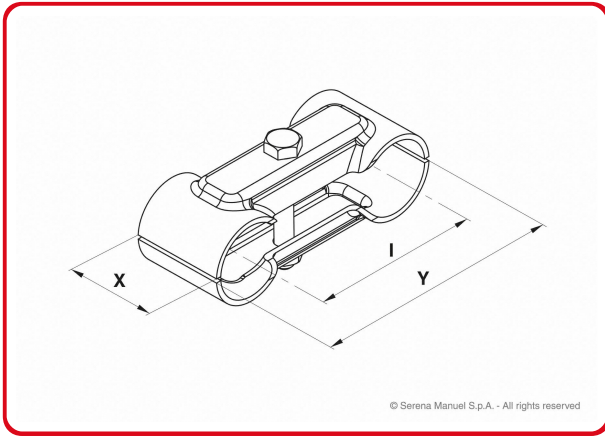
# heavy duty ribbed square tee clamp



CODE	DIAMETERS				BOLTS AND NUTS		MINIMUM QUANTITY	DIMENSIONS			
	A	B	A	B	n° 6	n° 1		X	Y	C	D
90210023	100x100	x 2"	(100x100	x 60)	12x40	12x90	1	300	200	13	8

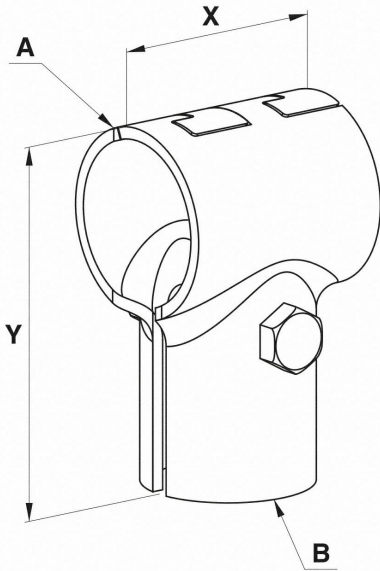


## 1 bolt double clamp

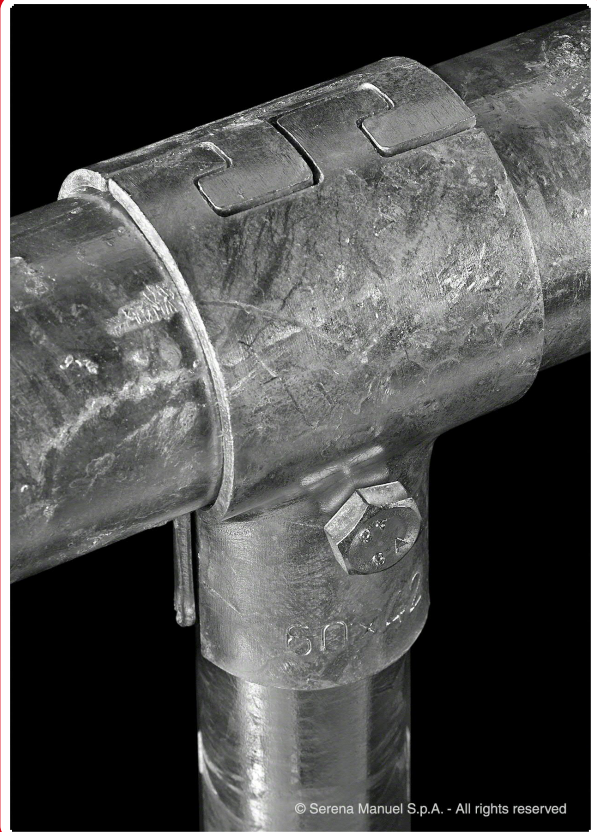


CODE	DIAMETERS		BOLTS AND NUTS		MINIMUM QUANTITY	DIMENSIONS		
			n° 1	n° 2		n°	X	Y
90230013	3/4" x 1/2"	(27 x 21)	8x45	-	25	35	100	65
90230173	3/4" x 3/4"	(27 x 27)	10x45	-	25	42	96	64
90230023	1" x 3/4"	(33 x 27)	10x45	-	25	45	100	61
90230033	1" x 1"	(33 x 33)	10x55	-	25	45	135	93
90230043	1"1/4 x 3/4"	(42 x 27)	10x45	-	25	45	115	72
90230053	1"1/4 x 1"	(42 x 33)	10x55	-	25	45	145	100
90230063	1"1/4 x 1"1/4	(42 x 42)	10x70	-	10	55	150	101
90230073	1"1/2 x 3/4"	(48 x 27)	10x45	-	25	45	130	84
90230083	1"1/2 x 1"	(48 x 33)	10x55	-	25	45	150	99
90230093	1"1/2 x 1"1/4	(48 x 42)	10x70	-	10	55	160	105
90230103	1"1/2 x 1"1/2	(48 x 48)	10x70	-	10	55	165	110
90230163	2" x 1"	(60 x 33)	-	10x50	10	55	160	103
90230133	2" x 1"1/4	(60 x 42)	10x60	-	25	72	180	123
90230113	2" x 1"1/2	(60 x 48)	12x70	-	10	75	190	125
90230123	2" x 2"	(60 x 60)	12x70	-	10	75	200	130

## 1 bolt Tee clamp-clawed

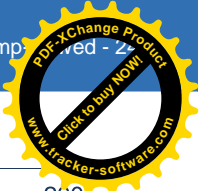


© Serena Manuel S.p.A. - All rights reserved



© Serena Manuel S.p.A. - All rights reserved

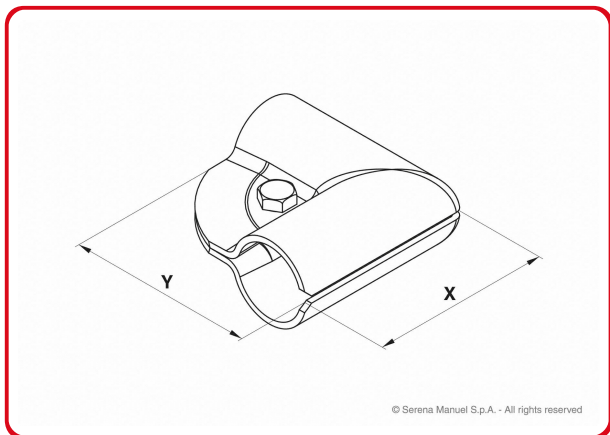
CODE	DIAMETERS				BOLT AND NUT	MINIMUM QUANTITY	DIMENSIONS	
	A	B	A	B			X	Y
90240013	1"1/4	3/4"	(42	x 27)	10x45	10	45	93
90240113	1"1/4	1"	(42	x 33)	10x55	10	55	110
90240023	1"1/4	1"1/4	(42	x 42)	10x60	10	65	110
90240033	1"1/2	1"1/4	(48	x 42)	10x60	10	65	110
90240093	1"1/2	1"1/2	(48	x 48)	12x75	10	75	115
90240073	2"	1"	(60	x 33)	10x55	10	55	130
90240043	2"	1"1/4	(60	x 42)	10x60	10	65	115
90240083	2"	1"1/2	(60	x 48)	12x75	10	75	130
90240063	2"	2"	(60	x 60)	12x85	10	90	140
90240053	2"1/2	2"	(76	x 60)	12x80	10	95	155
90240163	3"	2"	(89	x 60)	12x90	1	95	188



90240173	3"1/2 x 2"	(120 x 60)	12x90	1	95	200
90240183	4" x 2"	(114 x 60)	12x90	1	95	215



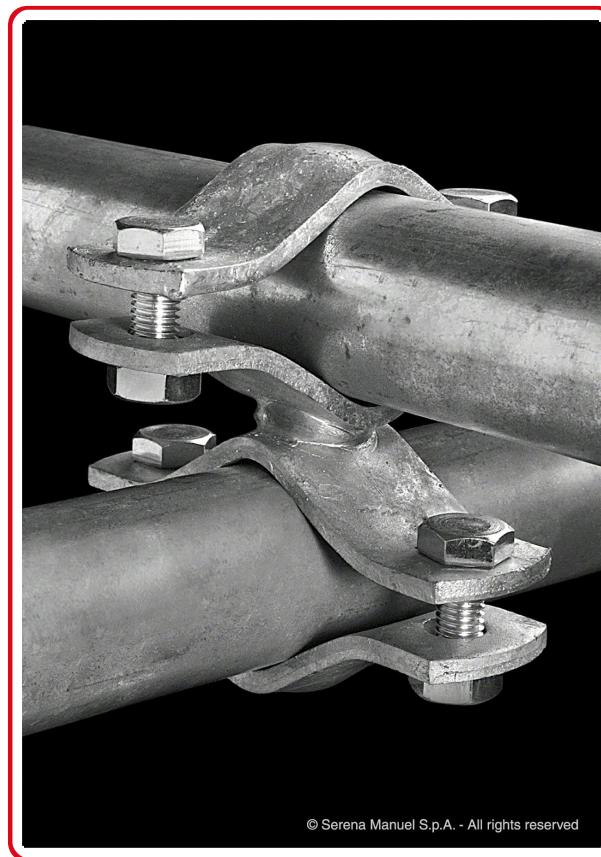
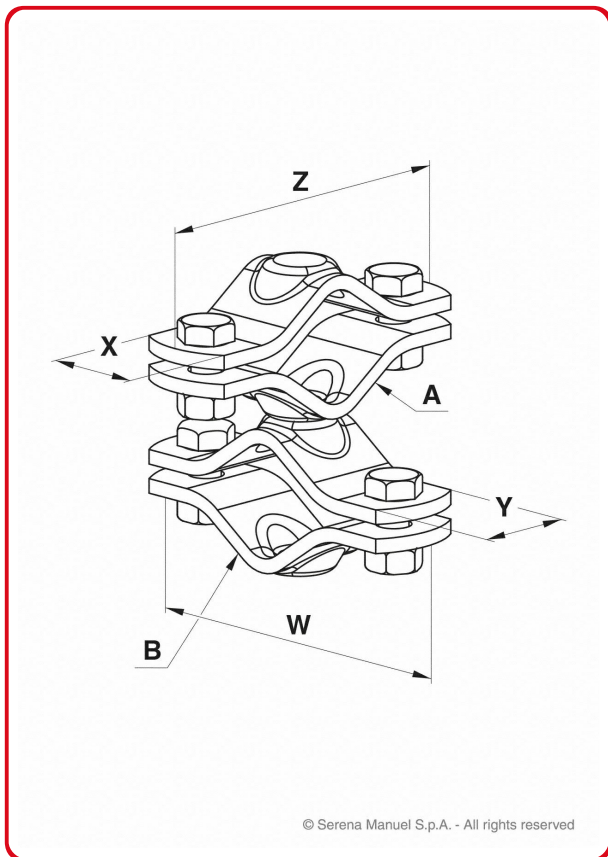
## 1 bolt 90 degree corner clamp



CODE	DIAMETER	BOLT AND NUT		MINIMUM QUANTITY		DIMENSIONS	
			n° 1		n°	X	Y
90250013	3/4" (27)		10x20		10	90	90
90250023	1" (33)		10x20		10	90	90
90250033	1"1/4 (42)		10x20		10	110	110
90250043	1"1/2 (48)		10x25		10	110	110
90250053	2" (60)		10x25		10	130	130



## Universal crossover clamp

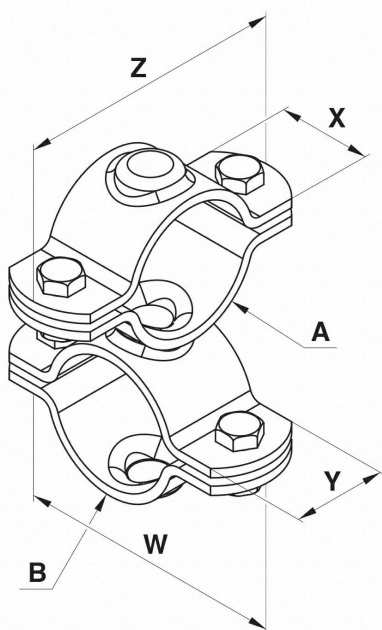


CODE	DIAMETERS				BOLTS AND NUTS		MINIMUM QUANTITY	DIMENSIONS			
	A	B	A	B	n° 2	n° 2		n°	X	Z	Y
90290043	1/2" x 1/2"		(21 x 21)		8x20	8x20	10	25	90	25	90
90290053	1/2" x 3/4"		(21 x 27)		8x20	8x25	10	25	90	25	90
90290063	1/2" x 1"		(21 x 33)		8x20	10x20	10	25	90	35	117
90290073	1/2" x 1"1/4		(21 x 42)		8x20	10x30	10	25	90	35	117
90290083	1/2" x 1"1/2		(21 x 48)		8x20	10x40	10	25	90	35	117
90290093	1/2" x 2"		(21 x 60)		8x20	10x55	10	25	90	35	117
90290103	3/4" x 3/4"		(27 x 27)		8x25	8x25	10	25	90	25	90
90290113	3/4" x 1"		(27 x 33)		8x25	10x20	10	25	90	35	117
90290123	3/4" x 1"1/4		(27 x 42)		8x25	10x30	10	25	90	35	117
90290133	3/4" x 1"1/2		(27 x 48)		8x25	10x40	10	25	90	35	117
90290143	3/4" x 2"		(27 x 60)		8x25	10x55	10	25	90	35	117



90290153	1" x 1"	(33 x 33)	10x20	10x20	10	35	117	35	117
90290163	1" x 1"1/4	(33 x 42)	10x20	10x30	10	35	117	35	117
90290173	1" x 1"1/2	(33 x 48)	10x20	10x40	10	35	117	35	117
90290183	1" x 2"	(33 x 60)	10x20	10x55	10	35	117	35	117
90290193	1"1/4 x 1"1/4	(42 x 42)	10x30	10x30	10	35	117	35	117
90290203	1"1/4 x 1"1/2	(42 x 48)	10x30	10x40	10	35	117	35	117
90290213	1"1/4 x 2"	(42 x 60)	10x30	10x55	10	35	117	35	117
90290223	1"1/2 x 1"1/2	(48 x 48)	10x40	10x40	10	35	117	35	117
90290233	1"1/2 x 2"	(48 x 60)	10x40	10x55	10	35	117	35	117
90290243	2" x 2"	(60 x 60)	10x55	10x55	10	35	117	35	117

## Standard crossover clamp



© Serena Manuel S.p.A. - All rights reserved



© Serena Manuel S.p.A. - All rights reserved

CODE	DIAMETERS				BOLTS AND NUTS			MINIMUM QUANTITY	DIMENSIONS			
	A	B	A	B	n° 4	n° 2	n° 2		n°	X	Z	Y
90300143	1" x 1"		(33 x 33)		10x25	-	-	10	35	95	35	95
90300153	1"1/4 x 1"		(42 x 33)		10x25	-	-	10	45	115	35	95
90300013	1"1/4 x 1"1/4		(42 x 42)		10x25	-	-	10	45	115	45	115
90300023	1"1/4 x 51		(42 x 51)		10x25	-	-	10	45	115	45	121
90300033	1"1/4 x 64		(42 x 64)		10x25	-	-	10	45	115	45	132
90300163	1"1/2 x 1"		(48 x 33)		10x25	-	-	10	45	120	35	95
90300043	1"1/2 x 1"1/4		(48 x 42)		10x25	-	-	10	45	120	45	115
90300053	1"1/2 x 1"1/2		(48 x 48)		10x25	-	-	10	45	120	45	120
90300203	2" x 1"		(60 x 33)		10x25	-	-	10	45	130	35	95
90300063	2" x 1"1/4		(60 x 42)		10x25	-	-	10	45	130	45	115
90300073	2" x 1"1/2		(60 x 48)		10x25	-	-	10	45	130	45	120

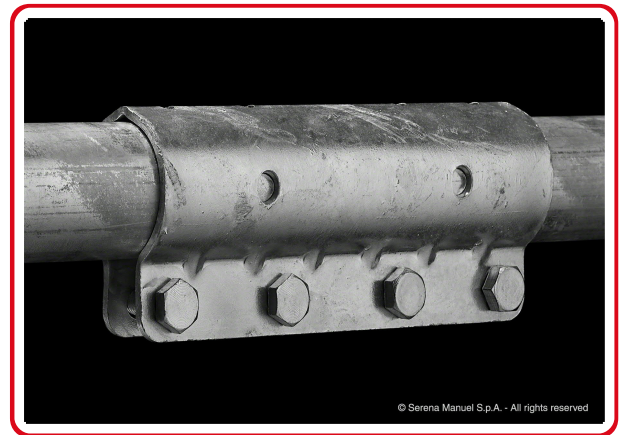
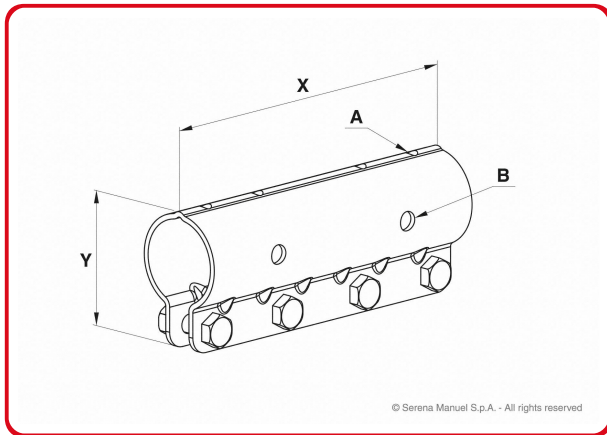


90300083	2" x 2"	(60 x 60)	10x25	-	-	10	45	130	45	130
90300223	2"1/2 x 1"	(76 x 33)	10x25	-	-	10	45	152	35	95
90300193	2"1/2 x 1"1/4	(76 x 42)	10x25	-	-	10	45	152	45	115
90300093	2"1/2 x 1"1/2	(76 x 48)	10x25	-	-	10	45	152	45	120
90300103	2"1/2 x 2"	(76 x 60)	10x25	-	-	10	45	152	45	130
90300113	2"1/2 x 2"1/2	(76 x 76)	10x25	-	-	10	45	152	45	152
90300423	3" x 1"	(89 x 33)	-	10x35	10x25	10	40	175	35	95
90300663	3" x 1"1/4	(89 x 42)	-	10x35	10x25	10	40	175	45	115
90300393	3" x 1"1/2	(89 x 48)	-	10x35	10x25	10	40	175	45	120
90300123	3" x 2"	(89 x 60)	-	10x35	10x25	10	40	175	45	130
90300213	3" x 2"1/2	(89 x 76)	-	10x35	10x25	10	40	175	45	152
90300133	3" x 3"	(89 x 89)	10x35	-	-	10	40	175	40	175
90300233	3"1/2 x 1"1/4	(102 x 42)	10x35	-	-	10	40	187	45	115
90300543	3"1/2 x 1"1/2	(102 x 48)	-	10x35	10x25	10	40	187	45	120
90300503	3"1/2 x 2"	(102 x 60)	-	10x35	10x25	10	40	187	45	130
90300603	3"1/2 x 2"1/2	(102 x 76)	-	10x35	10x25	10	40	187	45	152
90300533	4" x 1"1/4	(114 x 42)	-	10x40	10x25	10	40	215	45	115
90300653	4" x 1"1/2	(114 x 48)	-	10x40	10x25	10	40	215	45	120



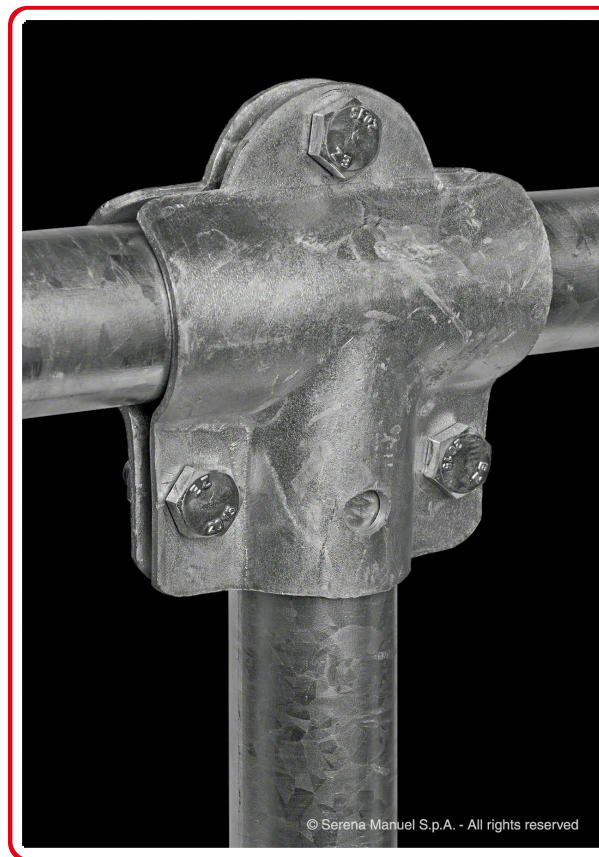
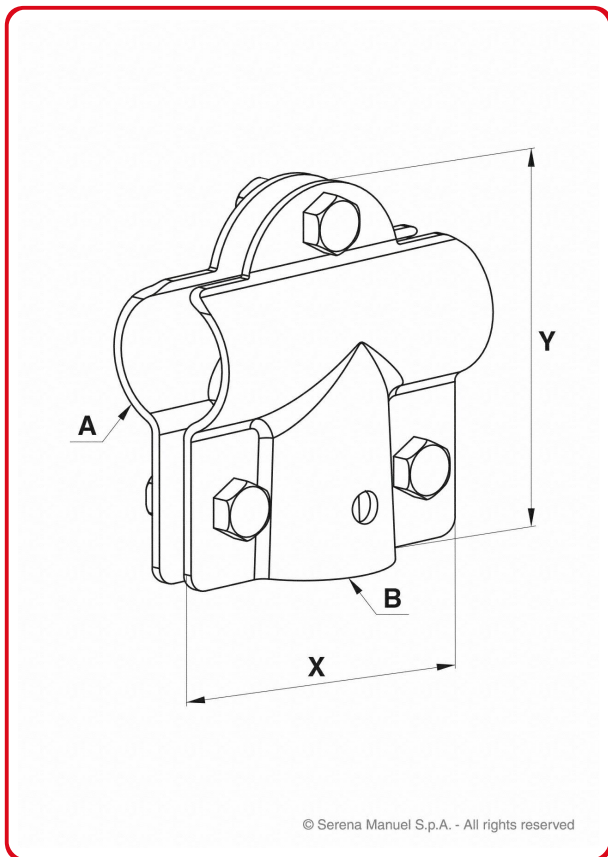


## heavy duty pipe connecting clamp



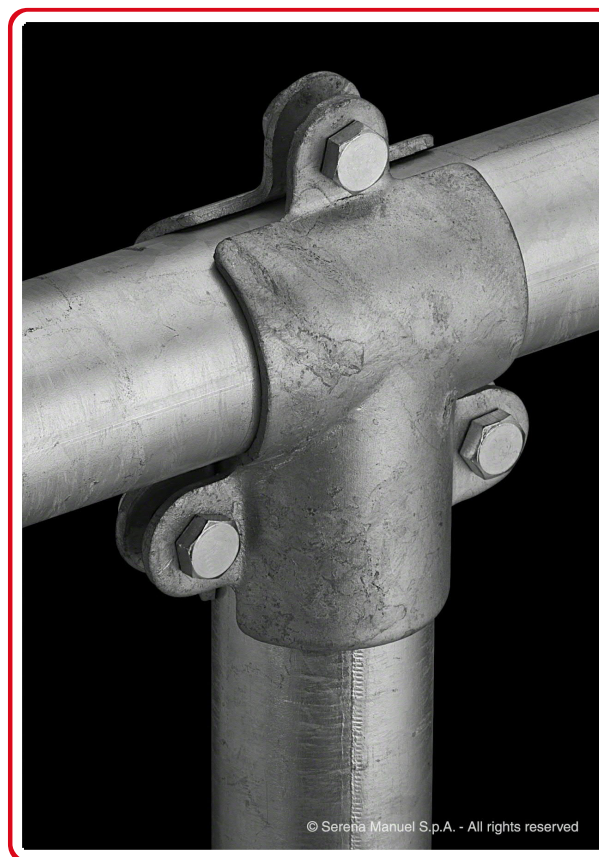
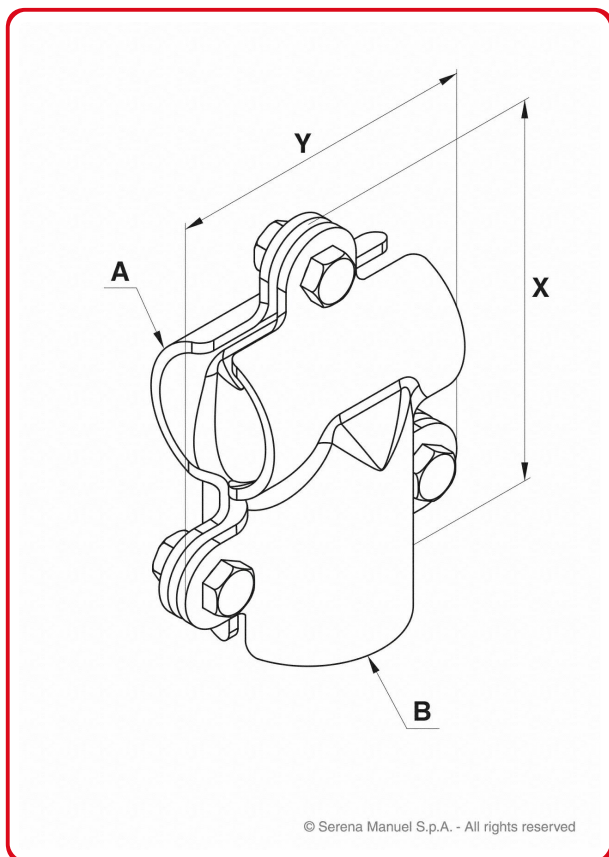
CODE	DIAMETER		BOLTS AND NUTS	MINIMUM QUANTITY	DIMENSIONS			
					X	Y	A	B
90320013	1"1/4	(42)	n° 4 10x35	n° 1	200	74	5,5	10,5
90320023	1"1/2	(48)	n° 4 10x35	n° 1	200	80	5,5	10,5
90320033	2"	(60)	n° 4 10x35	n° 1	200	92	5,5	10,5
90320043	2"1/2	(76)	n° 4 10x35	n° 1	200	108	5,5	10,5

4 hole - 3 bolt tee clamp

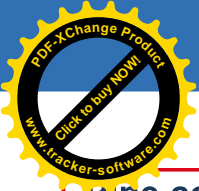


ARTIKEL-NR.	DIAMETERS				BOLTS AND NUTS			MINIMUM QUANTITY	DIMENSIONS	
	A	B	A	B	n° 3	n° 2	n° 1		X	Y
90360013	1"1/4	1"1/4	(42 x 42)		10x30	-	-	10	125	110
90360013	1"1/2	1"1/4	(48 x 42)		10x30	-	-	10	125	110
90360013	1"1/2	1"1/2	(48 x 48)		10x30	-	-	10	125	110
90360023	2"	2"	(60 x 60)		-	10x30	10x40	10	145	145
90360033	2"1/2	2"	(76 x 60)		-	12x30	12x45	5	145	145

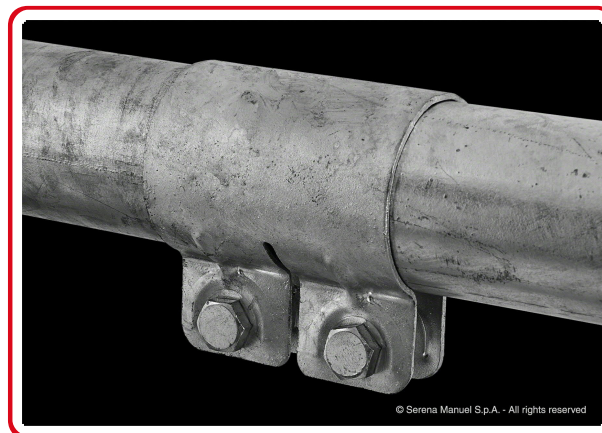
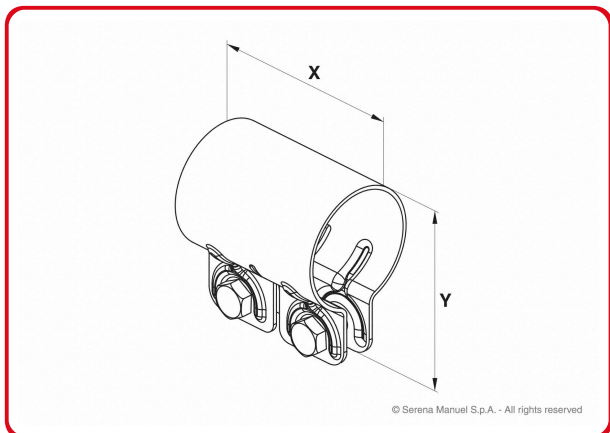
## 3 bolt - Tee clamp



CODE	DIAMETERS				BOLTS AND NUTS	MINIMUM QUANTITY	DIMENSIONS	
	A	B	A	B			X	Y
90370013	1"1/2	x 2"	(48	x 60)	10x25	10	155	130
90370023	2"	x 2"	(60	x 60)	10x30	10	150	130



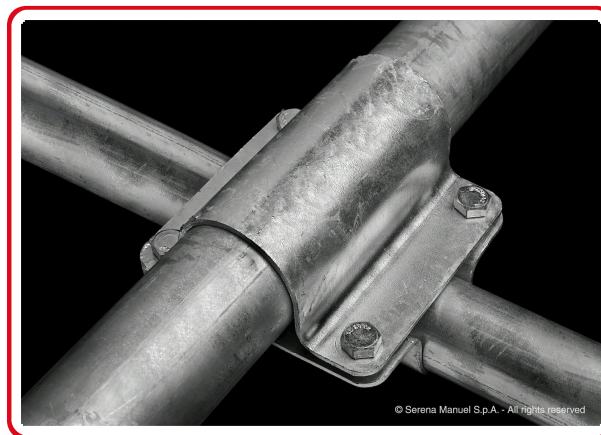
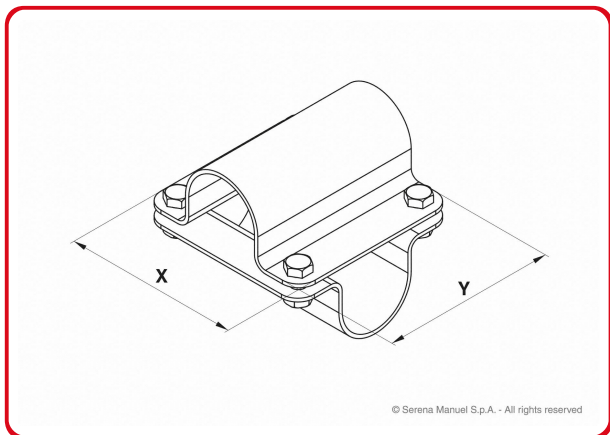
## Pipe connecting clamp



CODE	DIAMETER		BOLTS AND NUTS	MINIMUM QUANTITY	DIMENSIONS	
					n°	n°
90400013	1"1/4	(42)	n° 2 10x30	25	90	75
90400023	1"1/2	(48)	n° 2 10x30	25	90	85
90400033	2"	(60)	n° 2 10x40	25	90	95

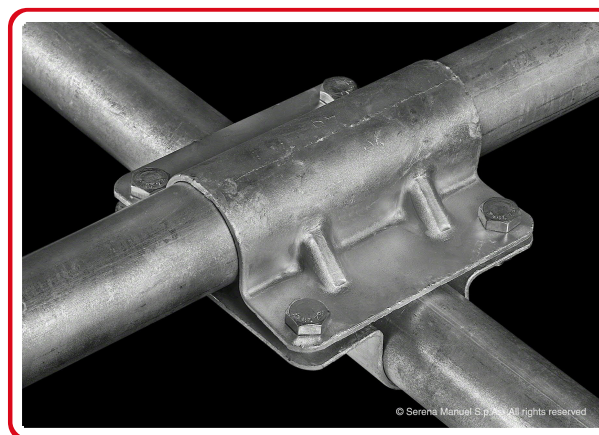
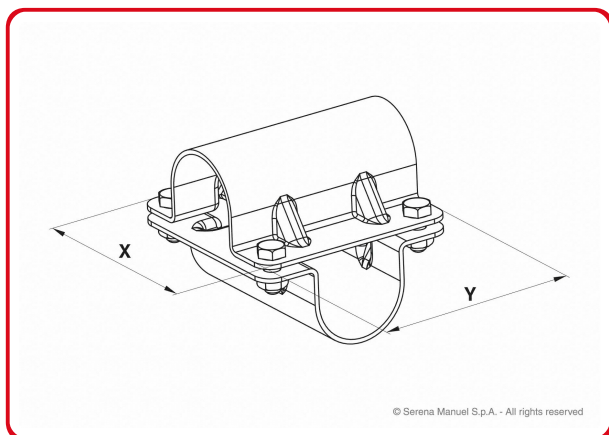


## 4 bolt cross joint



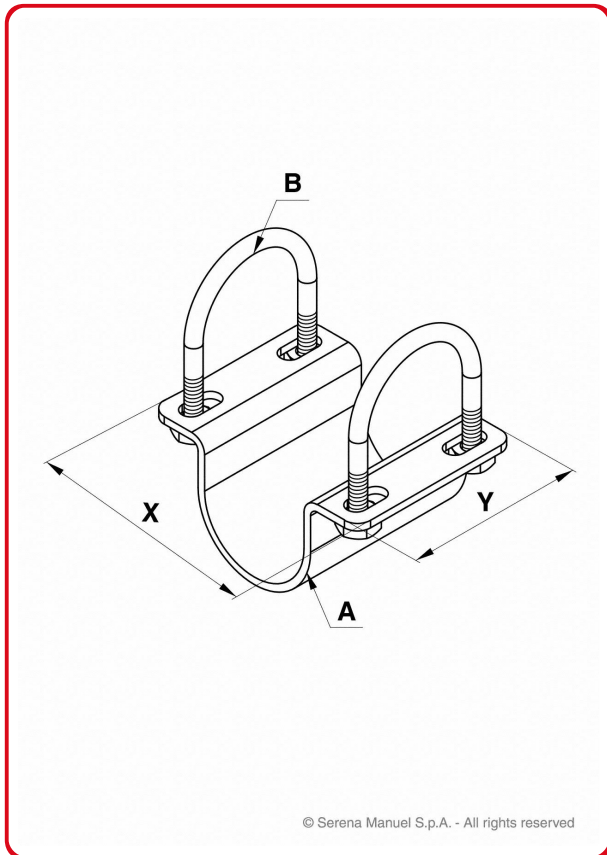
CODE	DIAMETERS		BOLTS AND NUTS	MINIMUM QUANTITY	DIMENSIONS	
					X	Y
90530013	1"1/4 x 1"1/4	(42 x 42)	n° 4 10x25	n° 20	110	110
90530173	1"1/4 x 1"1/4	(42 x 42)	10x25	20	140	140
90530023	1"1/2 x 1"1/4	(48 x 42)	10x25	20	110	110
90530193	1"1/2 x 1"1/4	(48 x 42)	10x25	20	140	140
90530033	1"1/2 x 1"1/2	(48 x 48)	10x25	20	110	110
90530083	1"1/2 x 1"1/2	(48 x 48)	10x25	20	140	140
90530183	2" x 1"1/4	(60 x 42)	10x25	20	140	140
90530043	2" x 1"1/2	(60 x 48)	10x25	20	140	140
90530053	2" x 2"	(60 x 60)	10x25	20	140	140
90530063	70 x 1"1/2	(70 x 48)	10x25	20	140	140
90530103	70 x 2"	(70 x 60)	10x25	20	140	140
90530093	70 x 70		10x25	10	140	140
90530113	70 x 2"1/2	(70 x 76)	10x25	10	140	140
90530123	2"1/2 x 1"1/2	(76 x 48)	10x25	20	140	140
90530133	2"1/2 x 2"	(76 x 60)	10x25	20	140	140
90530073	2"1/2 x 2"1/2	(76 x 76)	10x25	10	140	140
90530143	80 x 1"1/2	(80 x 48)	10x25	20	155	155
90530153	80 x 80		10x25	10	155	155

## 4 bolt ribbed cross joint



CODE	DIAMETERS		BOLTS AND NUTS	MINIMUM QUANTITY	DIMENSIONS	
					X	Y
90530213	1"1/2 x 1"1/2	(48 x 48)	n° 4 10x25	n° 20	140	140
90530253	2" x 1"1/2	(60 x 48)	10x25	20	140	140
90530203	2" x 2"	(60 x 60)	10x25	10	140	140
90530273	2"1/2 x 1"1/2	(76 x 48)	10x25	20	140	140
90530283	2"1/2 x 2"	(76 x 60)	10x25	10	140	140
90530223	2"1/2 x 2"1/2	(76 x 76)	10x25	10	140	140

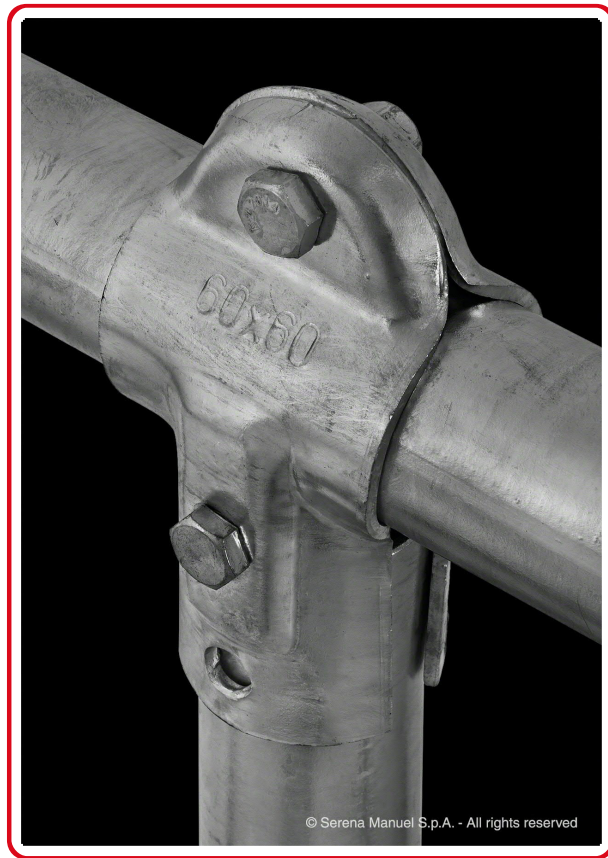
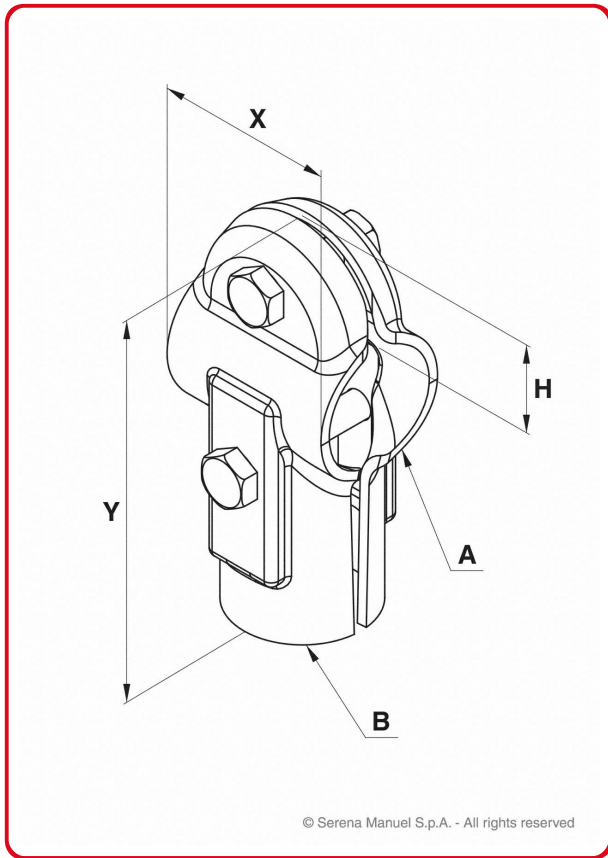
heavy duty cross over clamp with U-bolts



CODE	DIAMETERS				NUTS n° 4	MINIMUM QUANTITY n°	DIMENSIONS	
	A	B	A	B			X	Y
90530293	1"1/2	x 1"1/2	(48	x 48)	M10	1	122	100
90530303	1"1/2	x 2"	(48	x 60)	M10	1	122	100
90530313	2"1/2	x 2"	(76	x 60)	M10	1	158	120
90530323	2"1/2	x 2"1/2	(76	x 76)	M10	1	158	120
90530333	2"1/2	x 2"	(76	x 60)	M12	1	158	120
90530343	2"1/2	x 2"1/2	(76	x 76)	M12	1	158	120

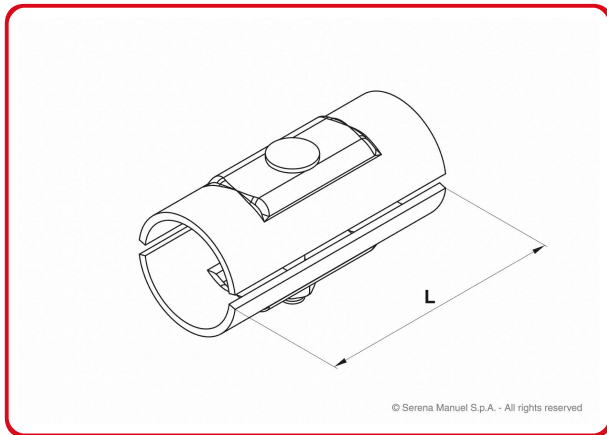


### 2 bolt tee clamp (2 part)



CODE	DIAMETERS				BOLTS AND NUTS		MINIMUM QUANTITY	DIMENSIONS		
	A	B	A	B	n° 1	n° 1		n°	X	Y
90540153	1"1/4	x 1"	(42	x 33)	10x45	10x60	10	55	115	21
90540073	1"1/4	x 1"1/4	(42	x 42)	10x40	10x70	10	65	140	33
90540083	1"1/4	x 1"1/2	(42	x 48)	10x40	10x80	10	65	145	33
90540133	1"1/2	x 1"1/4	(48	x 42)	10x40	10x70	10	65	135	36
90540093	1"1/2	x 1"1/2	(48	x 48)	10x40	10x80	10	75	150	34
90540103	2"	x 1"1/4	(60	x 42)	8x45	10x70	10	65	145	23
90540113	2"	x 1"1/2	(60	x 48)	12x40	12x80	10	75	175	35
90540123	2"	x 2"	(60	x 60)	12x45	12x90	10	85	175	40

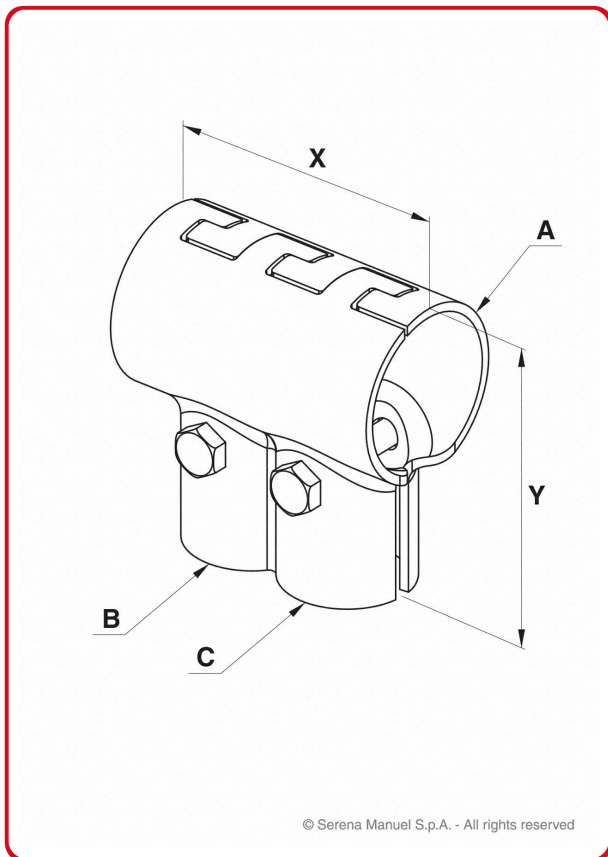
## External tube connector (2 part)



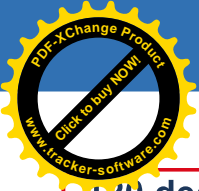
CODE	DIAMETER		BOLT AND NUT	MINIMUM QUANTITY	LENGTH
		( )	n° 1	n°	L
90610013	1/2"	(21)	8x35	25	100
90610023	3/4"	(27)	10x40	25	100
90610033	1"	(33)	10x50	25	120
90610043	1"1/4	(42)	10x60	10	120
90610053	1"1/2	(48)	10x70	10	120
90610063	2"	(60)	12x80	10	150
90610073	2"1/2	(76)	12x100	10	190



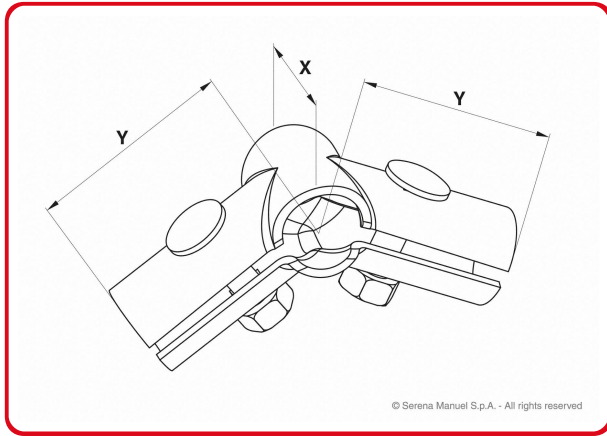
## 2 bolt double tee clamp-clawed



CODE	DIAMETERS						BOLTS AND NUTS	MINIMUM QUANTITY	DIMENSIONS	
	A	B	C	A	B	C			X	Y
90670013	2"	1"1/4	1"1/4	(60	x 42	x 42)	n° 2 10x60	n° 5	114	120

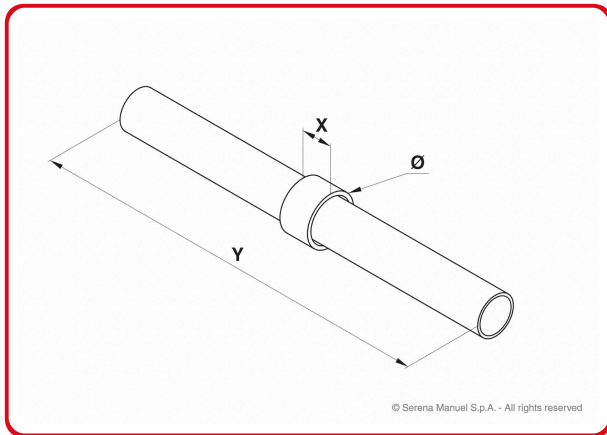


## 120 degree 4 way cross joint

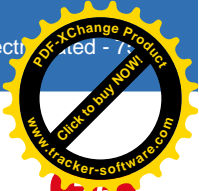


CODE	DIAMETER		BOLTS AND NUTS	MINIMUM QUANTITY	DIMENSIONS	
					X	Y
90690013	3/4"	(27)	n° 2 10x40	25	45	68
90690023	1"	(33)	10x50	25	55	73
90690033	1"1/4	(42)	10x60	10	65	95

## Internal connector

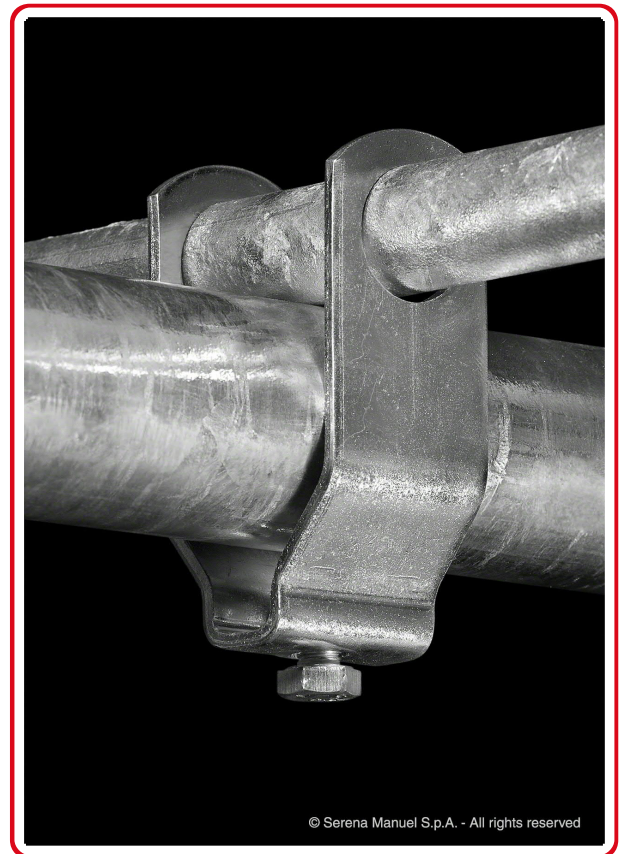
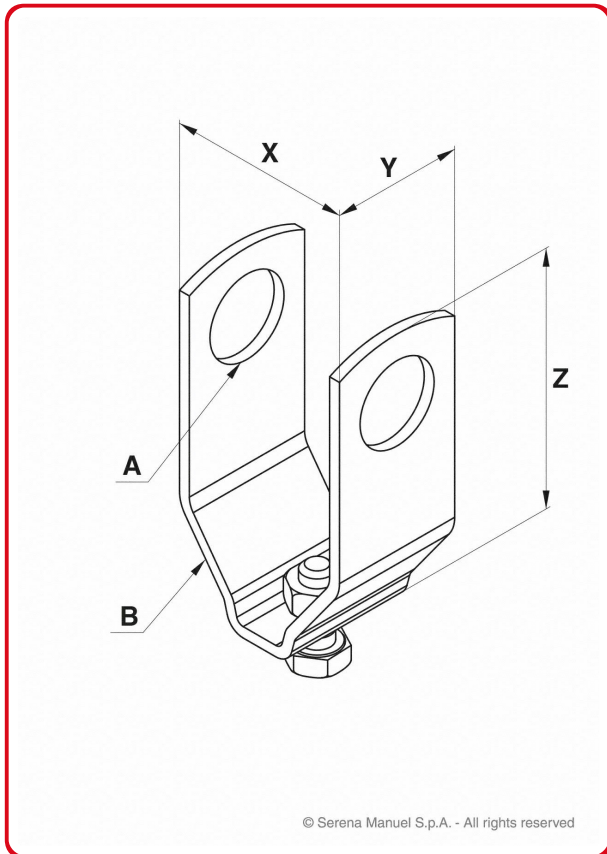


CODE	DIAMETER		MINIMUM QUANTITY	DIMENSIONS	
	Ø			X	Y
90740072	1/2"	(21)	1	20	220
90740042	3/4"	(27)	1	20	220
90740032	1"	(33)	1	20	260
90740082	1"1/4	(42)	1	150	300
90740022	1"1/4	(42)	1	20	260
90740012	1"1/2	(48)	1	20	260
90740062	2"	(60)	1	150	300
90740052	2"	(60)	1	20	260
90740112	2"1/2	(76)	1	20	300



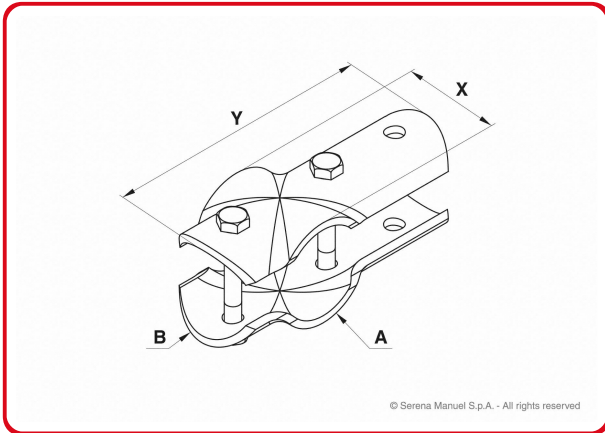
# Offset crossover clamp

## Zinc electroplated



CODE	DIAMETERS				BOLT AND NUT	MINIMUM QUANTITY	DIMENSIONS		
	A	B	A	B			X	Y	Z
90750017	1/2" x 1"		(21 x 33)		n° 1	50	44	35	75
90750027	1/2" x 1"1/4		(21 x 42)		n° 1	50	50	35	83
90750037	1/2" x 1"1/2		(21 x 48)		n° 1	50	56	35	93
90750047	1/2" x 2"		(21 x 60)		n° 1	50	74	35	113

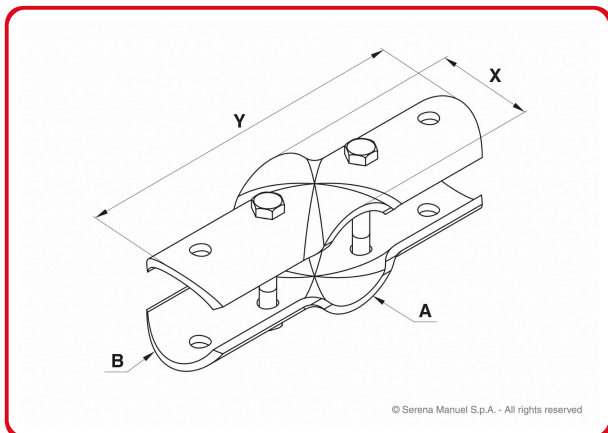
## 2 bolt heavy duty (tee) clamp



CODE	DIAMETERS				BOLTS AND NUTS	MINIMUM QUANTITY	DIMENSIONS			
	A	B	A	B			X	Y		
90840013	1"1/2	x 1"1/2	(48	x 48)	n° 2	12x70	n°	10	70	169
90840023	2"	x 1"1/2	(60	x 48)	n° 2	12x70	n°	10	70	181
90840033	2"	x 2"	(60	x 60)	n° 2	12x80	n°	10	70	181
90840043	2"1/2	x 1"1/2	(76	x 48)	n° 2	12x70	n°	5	70	197
90840053	2"1/2	x 2"	(76	x 60)	n° 2	12x80	n°	5	70	197

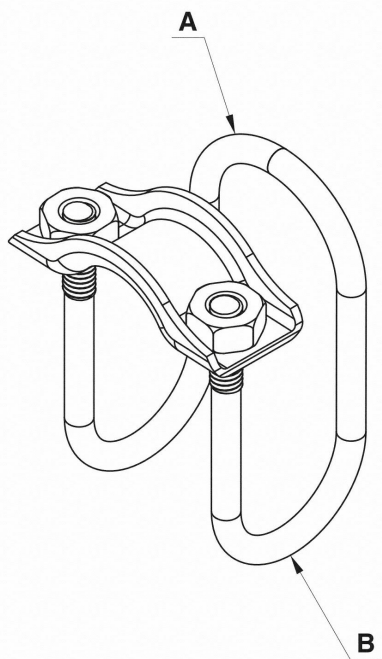


## 2 bolt heavy duty cross joint

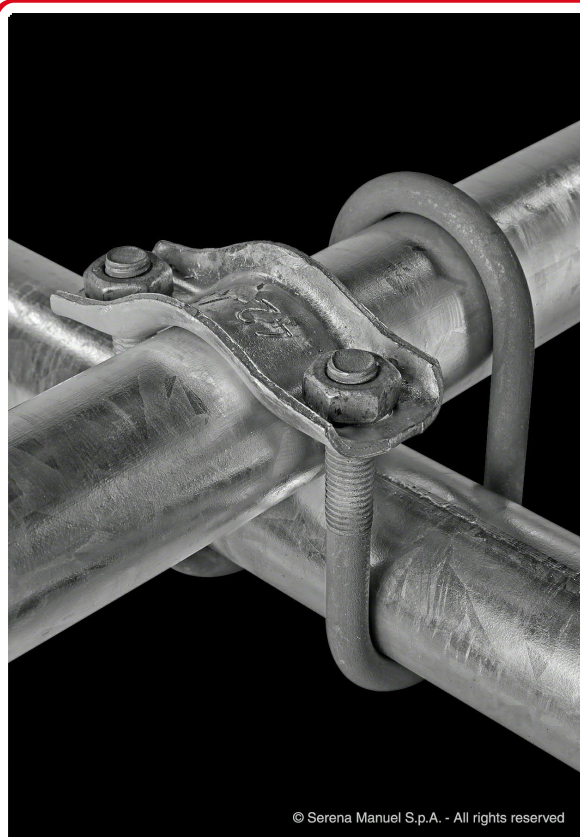


CODE	DIAMETERS				BOLTS AND NUTS n° 2	MINIMUM QUANTITY n°	DIMENSIONS	
	A	B	A	B			X	Y
90850013	1"1/2	x 1"1/2	(48	x 48)	12x70	5	70	224
90850023	2"	x 1"1/2	(60	x 48)	12x70	5	70	236
90850033	2"	x 2"	(60	x 60)	12x80	5	70	236
90850043	2"1/2	x 1"1/2	(76	x 48)	12x70	5	70	252
90850053	2"1/2	x 2"	(76	x 60)	12x80	5	70	252

## Standard double U-bolt



© Serena Manuel S.p.A. - All rights reserved



© Serena Manuel S.p.A. - All rights reserved

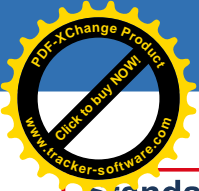
CODE	DIAMETERS				NUTS n° 2	MINIMUM QUANTITY n°
	A	B	A	B		
91000013	1/2" x 1/2"		(21 x 21)		M8	100
91000023	3/4" x 3/4"		(27 x 27)		M8	100
91000033	3/4" x 1"		(27 x 33)		M8	100
91000043	3/4" x 2"		(27 x 60)		M8	100
91000053	3/4" x 75		(27 x 75)		M8	100
91000303	3/4" x 2"1/2		(27 x 76)		M8	-
91000313	3/4" x 80		(27 x 80)		M8	-
91000363	3/4" x 90		(27 x 90)		M8	100
91000063	1" x 1"		(33 x 33)		M8	100
91000073	1" x 1"1/4		(33 x 42)		M8	100
91000083	1" x 1"1/2		(33 x 48)		M8	100



91000093	1" x 2"	(33 x 60)	M8	100
91000293	1" x 70	(33 x 70)	M8	-
91000283	1" x 72	(33 x 72)	M8	-
91000113	1" x 2"1/2	(33 x 76)	M8	-
91000343	1" x 80	(33 x 80)	M8	-
91000123	1" x 90	(33 x 90)	M8	-
91000133	1"1/4 x 1"1/4	(42 x 42)	M10	50
91000143	1"1/4 x 1"1/2	(42 x 48)	M10	50
91000153	1"1/4 x 2"	(42 x 60)	M10	50
91000163	1"1/2 x 1"1/2	(48 x 48)	M10	50
91000173	1"1/2 x 2"	(48 x 60)	M10	50
91000383	1"1/2 x 2"1/2	(48 x 76)	M10	-
91000183	2" x 3/4"	(60 x 27)	M8	100
91000373	2" x 1"	(60 x 33)	M8	100
91000393	2" x 1"1/2	(60 x 48)	M10	-
91000193	2" x 2"	(60 x 60)	M10	50
91000403	2" x 3"	(60 x 89)	M10	-
91000353	2"1/2 x 1"1/2	(76 x 48)	M10	50
91000223	2"1/2 x 2"	(76 x 60)	M10	50
91000323	80 x 1"	(80 x 33)	M10	50
91000273		83 x 35	M8	-

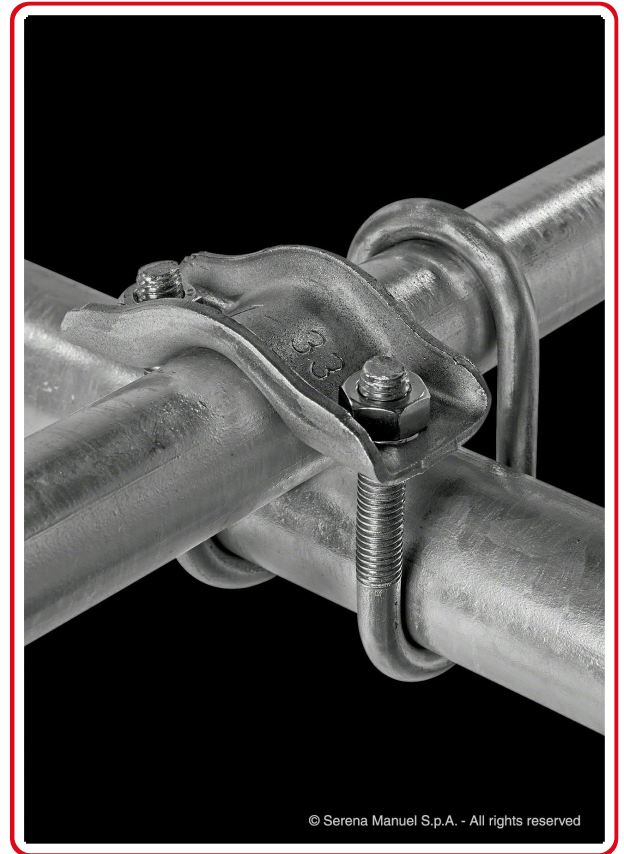
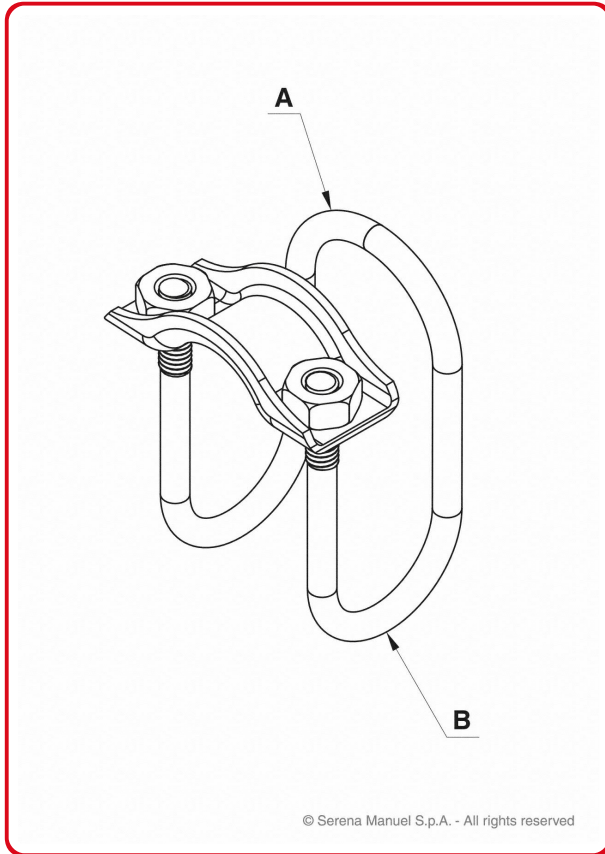
**ON REQUEST**

Special dimensions available



## Standard double U-bolt

### Stainless steel

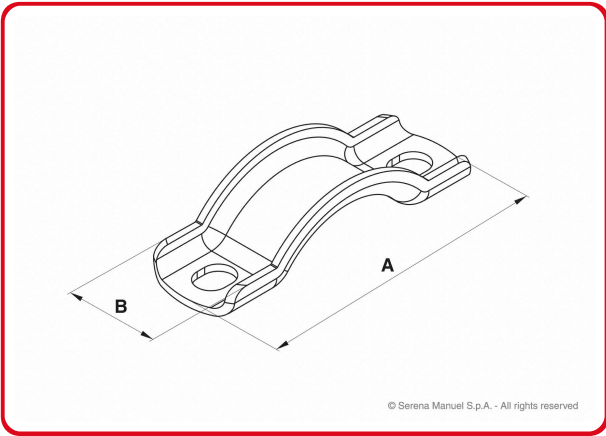


#### ON REQUEST

Special dimensions and in stainless steel available

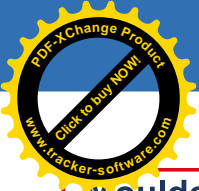


# Moulded clamp plate for double U-bolt



CODE	DIAMETER		SLOTS	MINIMUM QUANTITY	DIMENSIONS	
				n°	A	B
71000442	1/2"	(21)	9 x 12	50	57	31
71000292	3/4" ÷ 1"	(27 ÷ 33)	10 x 13	50	70	36
71000302	1"1/4 ÷ 1"1/2	(42 ÷ 48)	11 x 14	50	92	31
71000312	2"	(60)	11 x 14	50	104	33
71000432	2"1/2	(76)	11 x 14	50	116	31

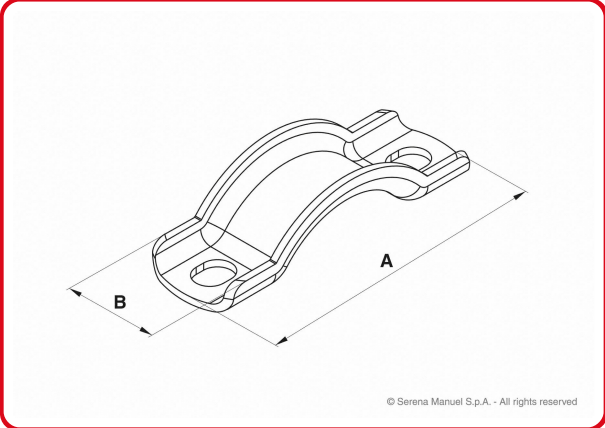




100

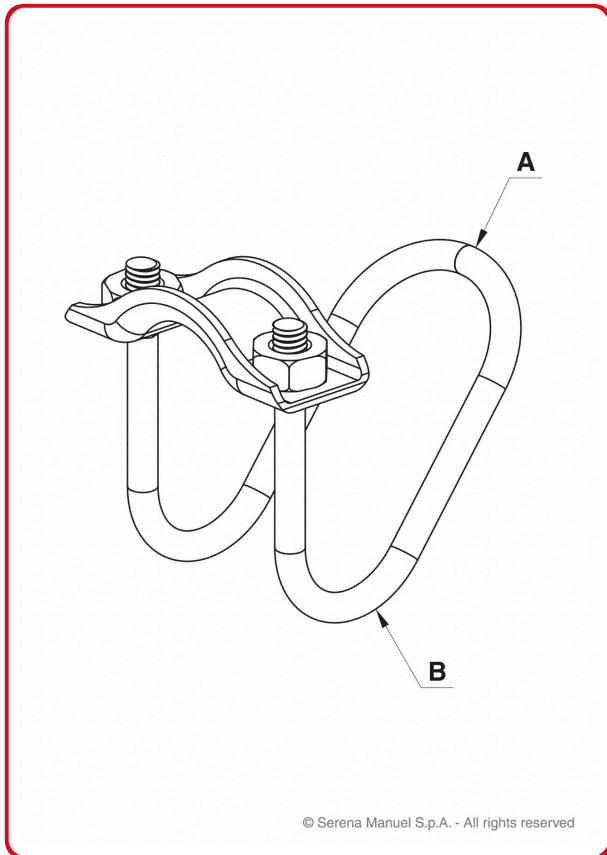
# Moulded clamp plate for double U-bolt

## Stainless steel



CODE	DIAMETER	SLOTS	MINIMUM QUANTITY	DIMENSIONS	
				A	B
71000294	3/4" ÷ 1" (27 ÷ 33)	9 x 12	n° -	70	36

## Double U-bolt - angled



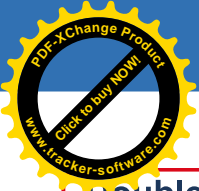
CODE	DIAMETERS				NUTS n° 2	MINIMUM QUANTITY n°
	A	B	A	B		
91010013	1/2" x 1/2"		(21 x 21)		M8	100
91010313	1/2" x 1"		(21 x 33)		M8	-
91010023	3/4" x 3/4"		(27 x 27)		M8	100
91010033	3/4" x 1"		(27 x 33)		M8	100
91010323	3/4" x 1"1/4		(27 x 42)		M8	-
91010043	3/4" x 2"		(27 x 60)		M8	100
91010053	1" x 1/2"		(33 x 21)		M8	-
91010063	1" x 1"		(33 x 33)		M8	100
91010073	1" x 1"1/4		(33 x 42)		M8	100
91010083	1" x 1"1/2		(33 x 48)		M8	100
91010093	1" x 2"		(33 x 60)		M8	100



91010103	1" x 2"1/2	(33 x 76)	M8	100
91010113	1"1/4 x 1"1/4	(42 x 42)	M10	50
91010123	1"1/4 x 1"1/2	(42 x 48)	M10	50
91010133	1"1/4 x 2"	(42 x 60)	M10	50
91010153	1"1/2 x 1"1/2	(48 x 48)	M10	50
91010163	1"1/2 x 2"	(48 x 60)	M10	50
91010333	1"1/2 x 2"1/2	(48 x 76)	M10	-
91010383	1"1/2 x 3"1/2	(48 x 102)	M10	-
91010173	2" x 3/4"	(60 x 27)	M10	-
91010363	2" x 1"	(60 x 33)	M8	-
91010183	2" x 1"1/2	(60 x 48)	M10	-
91010193	2" x 2"	(60 x 60)	M10	-
91010343	2" x 3"	(60 x 89)	M10	-
91010283	2"1/2 x 1"	(76 x 33)	M10	-
91010293	2"1/2 x 1"1/4	(76 x 42)	M10	-
91010203	2"1/2 x 1"1/2	(76 x 48)	M10	-
91010303	2"1/2 x 2"	(76 x 60)	M10	-

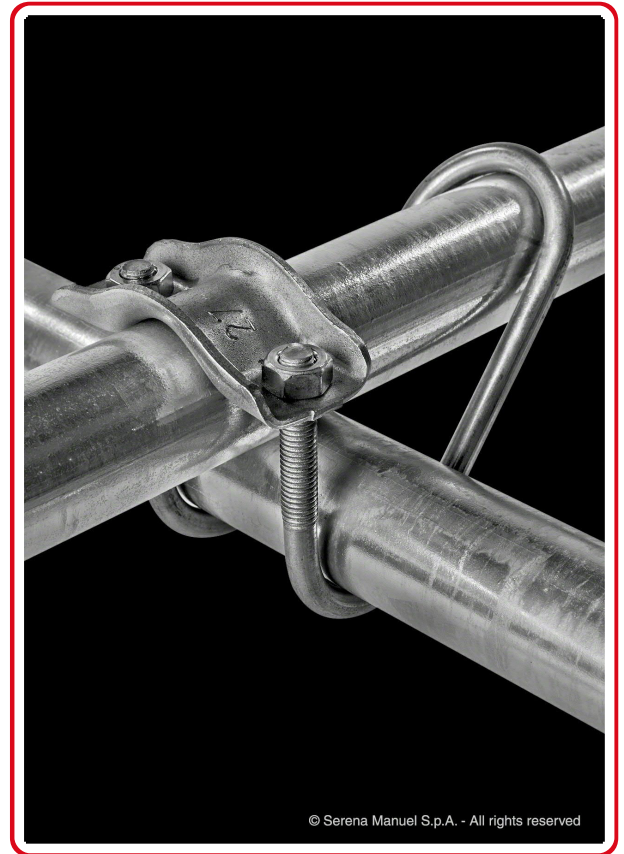
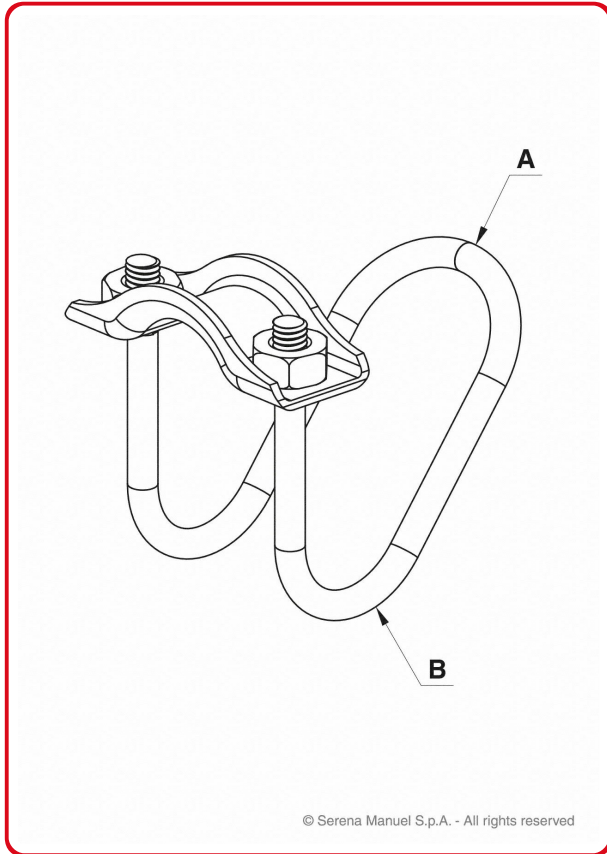
**ON REQUEST**

Special dimensions available



# Double U-bolt - angled

## Stainless steel

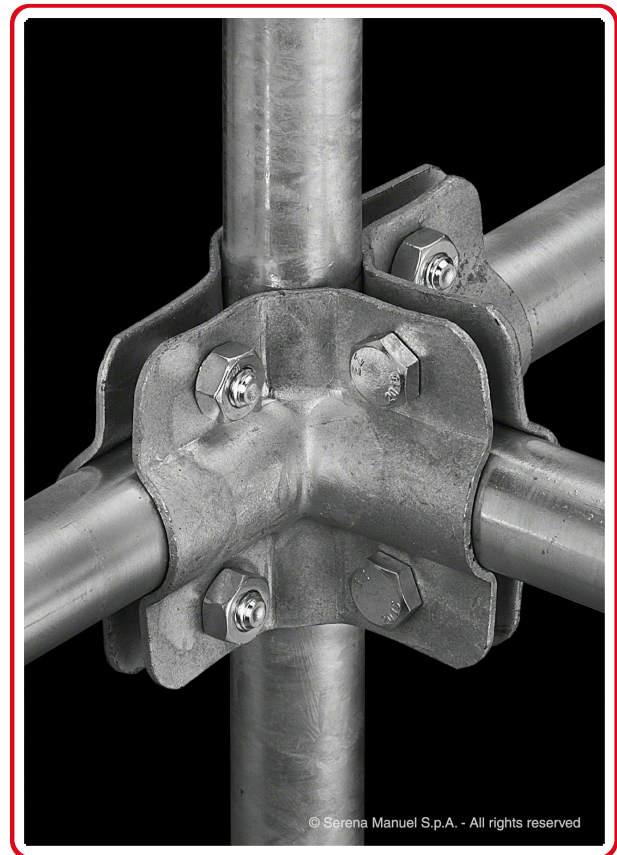
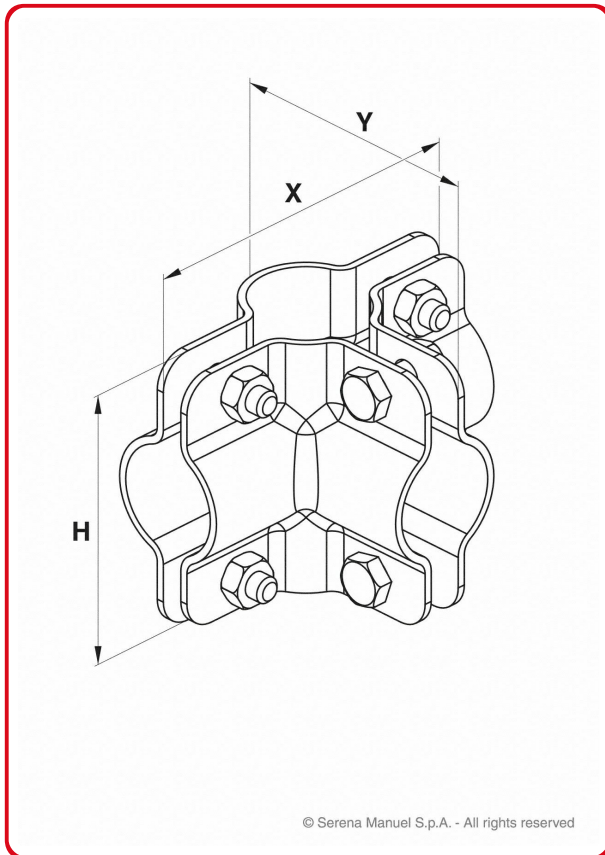


CODE	DIAMETERS				NUTS n° 2	MINIMUM QUANTITY n°
	A	B	A	B		
91010255	1" x 3/4"		(33 x 27)		M8	-
91010065	1" x 1"		(33 x 33)		M8	-

### ON REQUEST

Special dimensions available

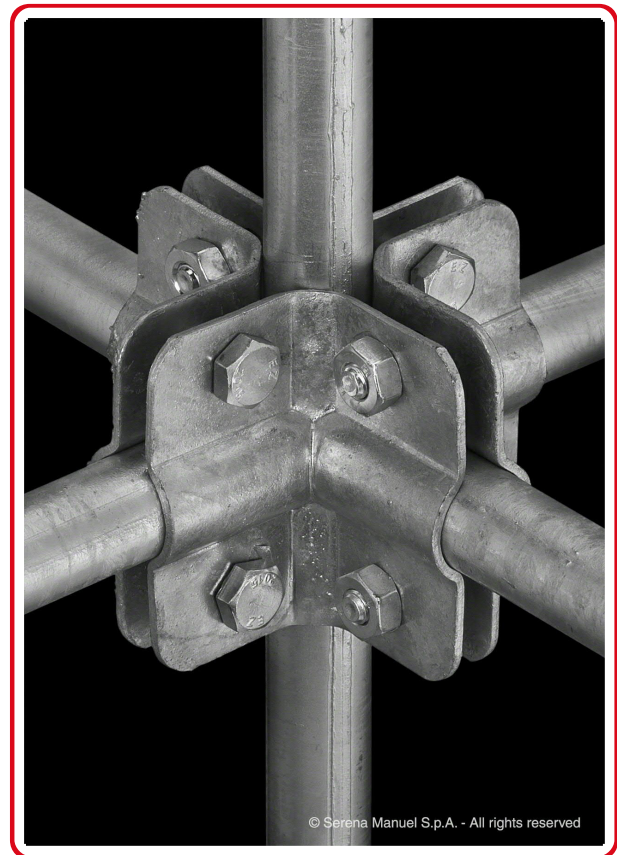
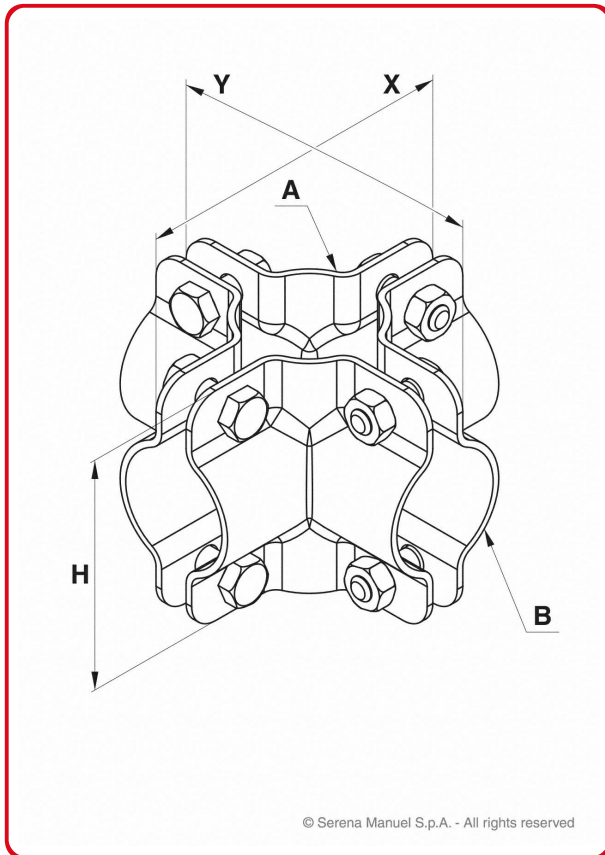
## 5 way cross joint



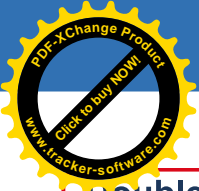
CODE	DIAMETER	BOLTS AND NUTS	MINIMUM QUANTITY	DIMENSIONS		
				X	Y	H
91080053	3/4" (27)	n° 6 10x30	n° 25	125	98	100
91080013	1" (33)	10x30	25	135	100	100
91080023	1"1/4 (42)	10x30	10	145	110	110
91080033	1"1/2 (48)	10x30	10	140	110	120
91080043	2" (60)	10x30	10	170	130	145



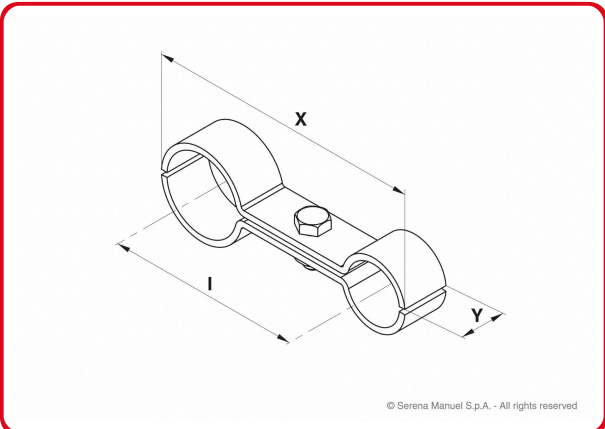
## 6 way cross joint



CODE	DIAMETERS				BOLTS AND NUTS	MINIMUM QUANTITY	DIMENSIONS		
	A	B	A	B			n°	X	Y
91090053	3/4" x 3/4"		(27 x 27)		n° 8 10x25	25	125	125	95
91090063	1" x 3/4"		(33 x 27)		10x25	25	125	125	100
91090013	1" x 1"		(33 x 33)		10x30	25	130	130	90
91090073	1"1/4 x 1"		(42 x 33)		10x30	25	130	130	96
91090023	1"1/4 x 1"1/4		(42 x 42)		10x30	10	140	140	110
91090083	1"1/2 x 1"		(48 x 33)		10x30	10	145	145	110
91090093	1"1/2 x 1"1/4		(48 x 42)		10x30	10	150	150	105
91090033	1"1/2 x 1"1/2		(48 x 48)		10x30	10	145	145	105
91090103	2" x 1"1/2		(60 x 48)		10x30	10	165	165	105
91090043	2" x 2"		(60 x 60)		10x30	10	180	180	130

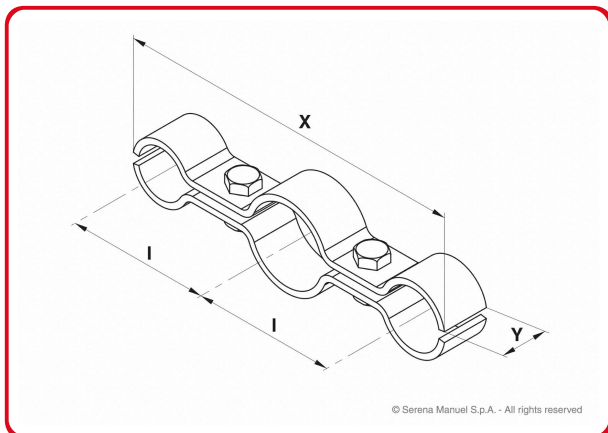


## Double clamp for stainless steel pipe

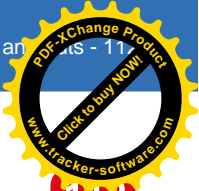


CODE	DIAMETERS	BOLT AND NUT	MINIMUM QUANTITY	DIMENSIONS		
				X	Y	I
91100013	51 ÷ 53 x 38 ÷ 40	n° 1 10x25	n° 25	175	30	120
91100023	63 x 38 ÷ 40	10x25	25	180	30	120

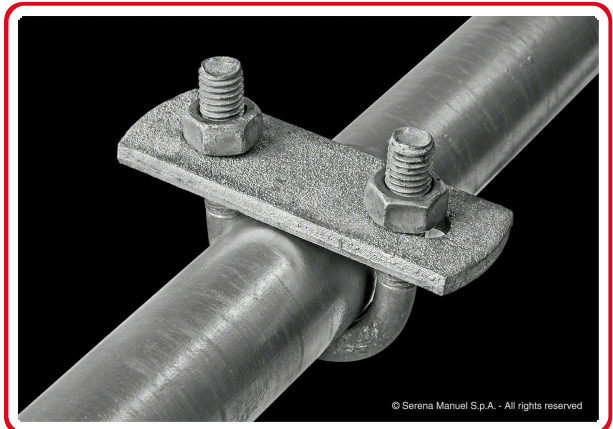
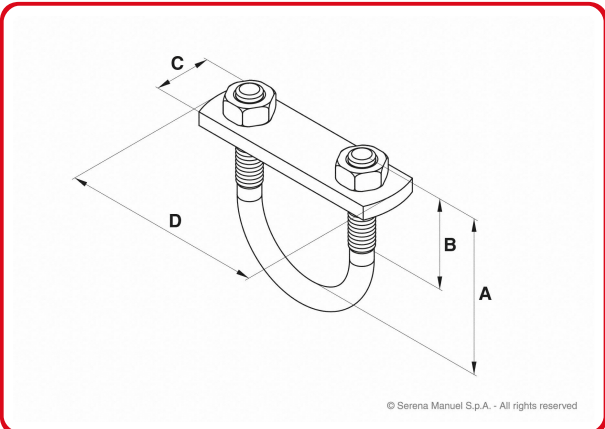
## Triple clamp



CODE	DIAMETERS	BOLTS AND NUTS	MINIMUM QUANTITY	DIMENSIONS		
		n° 2	n°	X	Y	I
91110043	32 x 40 x 38	10x25	10	225	30	90
91110083	32 x 50 x 38	10x25	10	230	30	90
91110053	38 x 40 x 38	10x25	10	225	30	90
91110063	38 x 50 x 38	10x25	10	230	30	90
91110073	1"1/2 x 2" x 1"1/2 (48 x 60 x 48)	10x25	10	280	30	110
91110013	51 x 51 x 38	10x25	10	295	30	120
91110023	63 x 63 x 38	10x25	10	300	30	120

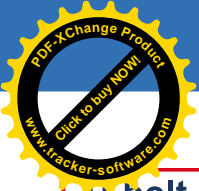


## U-bolt complete with clamp plate and nuts



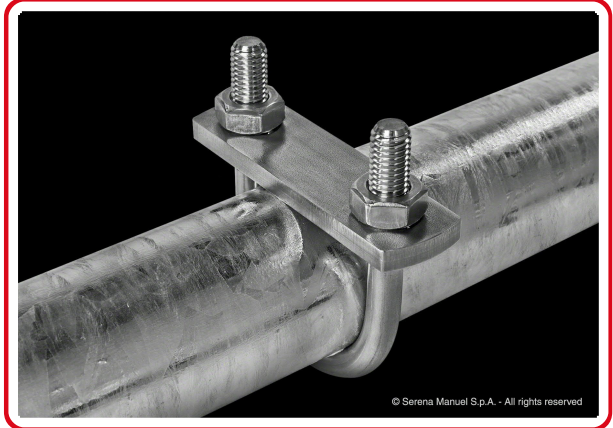
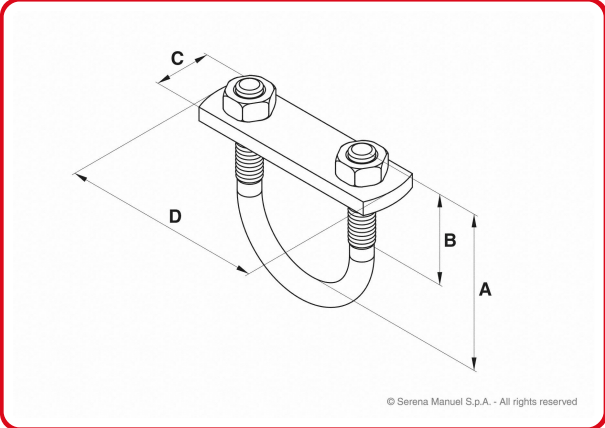
### ON REQUEST

Available in hot dip galvanized steel



# U-bolt complete with clamp plate and nuts

## Stainless steel



© Serena Manuel S.p.A. - All rights reserved

© Serena Manuel S.p.A. - All rights reserved

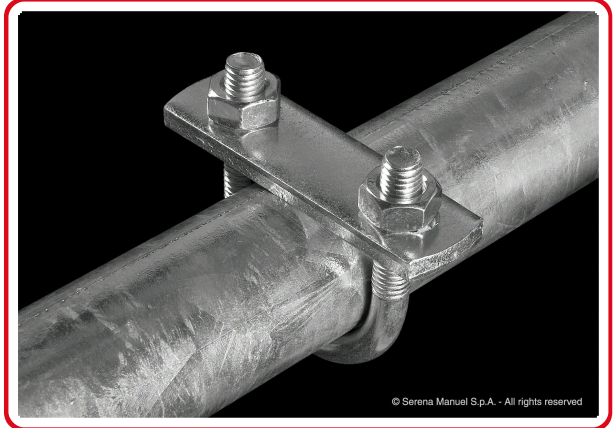
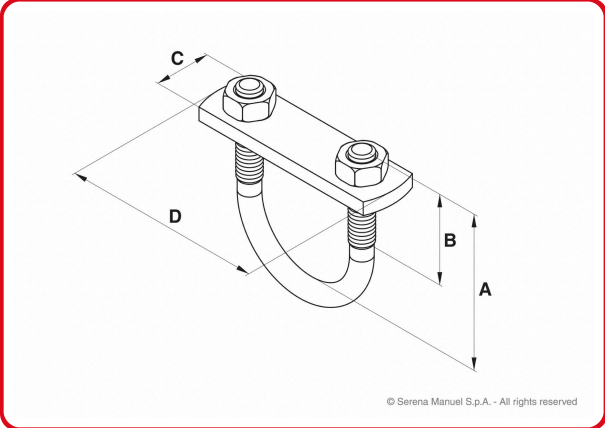
CODE	DIAMETER		NUTS	MINIMUM QUANTITY	DIMENSIONS			
					A	B	C	D
91120015	1/2"	(21)	n° 2 M8	n° 50	39	25	25	53





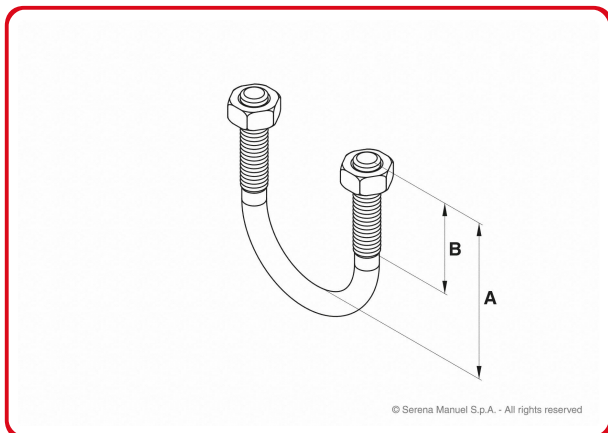
# U-bolt complete with clamp plate and nuts

## Zinc electroplated



CODE	DIAMETER		NUTS n° 2	MINIMUM QUANTITY n°	DIMENSIONS			
		( )			A	B	C	D
91120017	1/2"	(21)	M8	100	39	25	25	53
91120027	3/4"	(27)	M8	100	47	30	25	71
91120037	1"	(33)	M8	100	59	30	25	71
91120087	1"	(33)	M10	50	66	35	25	71
91120047	1"1/4	(42)	M10	50	65	40	25	87
91120057	1"1/2	(48)	M10	50	73	40	25	87
91120067	2"	(60)	M10	50	84	40	25	102
91120157	2"	(60)	M12	25	110	50	30	102
91120077	2"1/2	(76)	M10	50	101	40	25	118
91120137	2"1/2	(76)	M12	25	110	40	30	118
91120147	3"	(89)	M12	25	120	50	30	135

## U-bolt complete with nuts

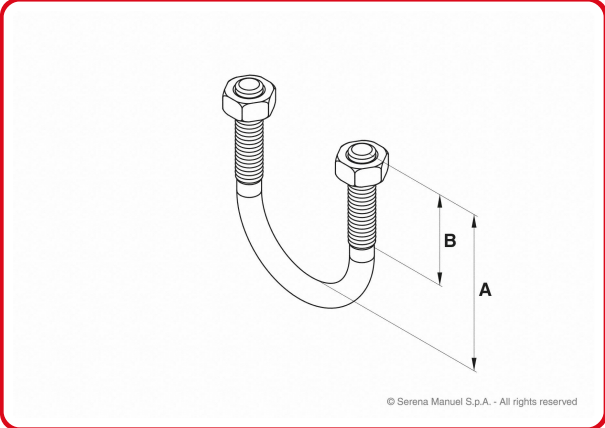


CODE	DIAMETER		NUTS	MINIMUM QUANTITY	DIMENSIONS	
			n° 2	n°	A	B
91130083	1/2"	(21)	M8	100	39	25
91130093	3/4"	(27)	M8	100	47	30
91130103	1"	(33)	M8	100	59	30
91130213	1"	(33)	M10	50	59	30
91130113	1"1/4	(42)	M10	50	65	40
91130123	1"1/2	(48)	M10	50	73	40
91130073	2"	(60)	M10	50	84	40
91130153	2"1/2	(76)	M10	50	101	40
91130333	3"	(89)	M10	25	106	35



# U-bolt complete with nuts

## Stainless steel

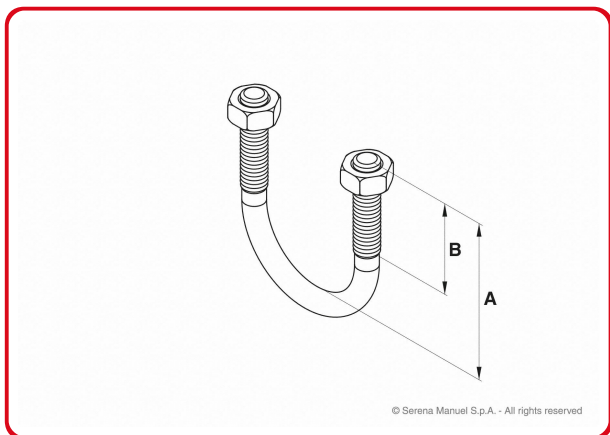


### ON REQUEST

Available in stainless steel

## U-bolt complete with nuts

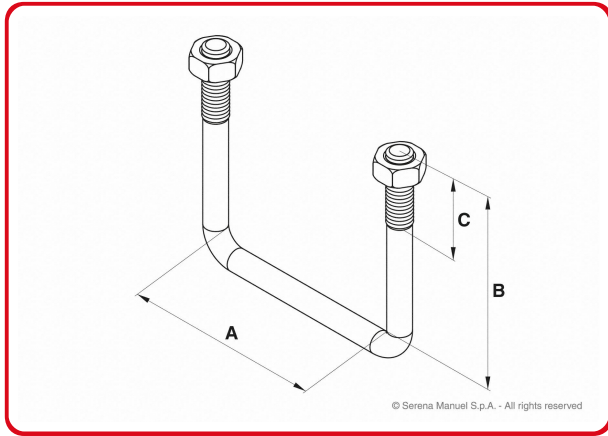
### Zinc electroplated



CODE	DIAMETER		NUTS n° 2	MINIMUM QUANTITY n°	DIMENSIONS	
		( )			A	B
91130087	1/2"	(21)	M8	100	39	25
91130097	3/4"	(27)	M8	100	47	30
91130107	1"	(33)	M8	100	59	30
91130217	1"	(33)	M10	50	66	35
91130017	40 ÷ 1"1/4	(40 ÷ 42)	M8	50	87	60
91130117	1"1/4	(42)	M10	50	65	40
91130127	1"1/2	(48)	M10	50	73	40
91130027	1"1/2 ÷ 52	(48 ÷ 52)	M8	50	100	65
91130077	2"	(60)	M10	50	84	40
91130267	2"	(60)	M12	25	110	50
91130037	2" ÷ 64	(60 ÷ 64)	M8	50	108	65
91130157	2"1/2	(76)	M10	50	101	40
91130317	2"1/2	(76)	M12	25	110	40
91130277	2"1/2 ÷ 82	(76 ÷ 82)	M8	50	117	60
91130337	3"	(89)	M10	25	106	35
91130327	3"	(89)	M12	25	120	50



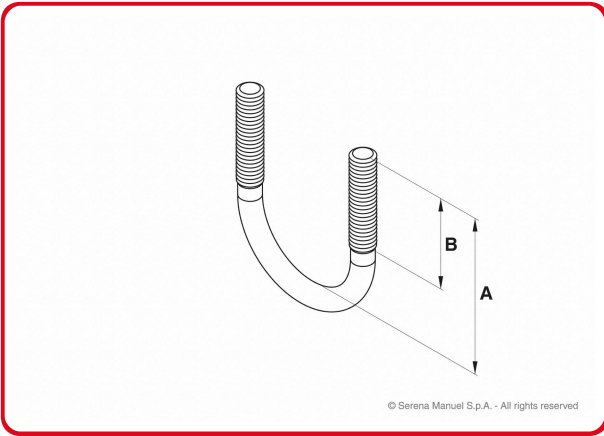
## Square U-bolt complete with nuts



CODE	PIPE DIMENSION	NUTS	MINIMUM QUANTITY	DIMENSIONS		
				A	B	C
91130383	60 x 60	n° 2 M10	n° -	62	96	35



# U-bolt

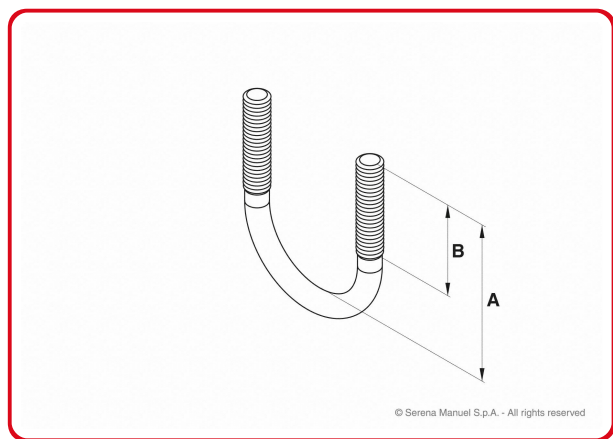


CODE	DIAMETER		THREAD	MINIMUM QUANTITY		DIMENSIONS	
				n°		A	B
91140012	1/2"	(21)	M8	100	39	25	
91140022	3/4"	(27)	M8	100	47	30	
91140032	1"	(33)	M8	100	59	30	
91140352	1"	(33)	M10	50	59	30	
91140042	1"1/4	(42)	M10	50	65	40	
91140062	1"1/2	(48)	M10	50	73	40	
91140072	2"	(60)	M10	50	84	40	
91140662	2"	(60)	M12	25	110	50	
91140122	2"1/2	(76)	M10	50	101	40	
91140852	2"1/2	(76)	M12	25	110	40	
91140922	3"	(89)	M10	25	106	35	
91140772	3"	(89)	M12	25	120	50	



# U-bolt

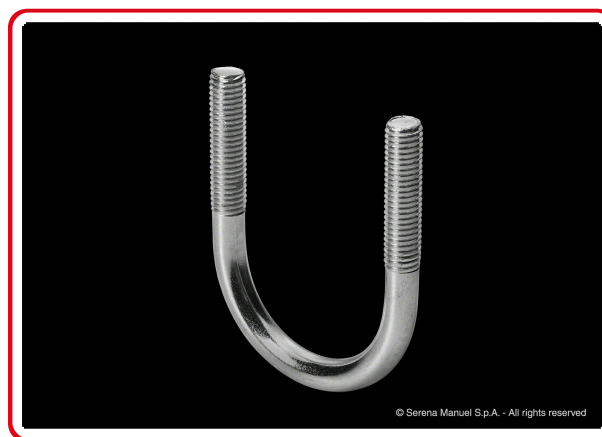
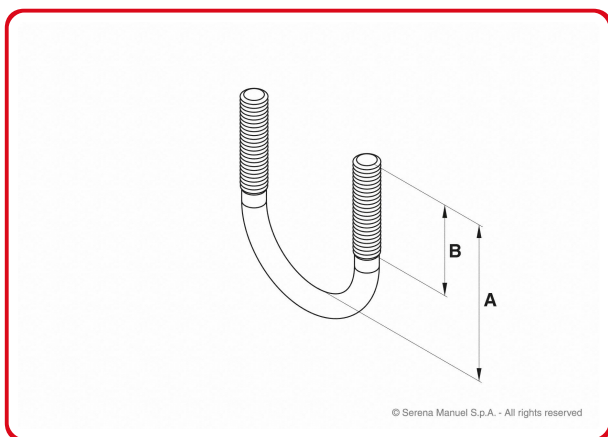
## Stainless steel



CODE	DIAMETER		THREAD	MINIMUM QUANTITY	DIMENSIONS	
		(n°)			A	B
91140014	1/2"	(21)	M8	50	39	25

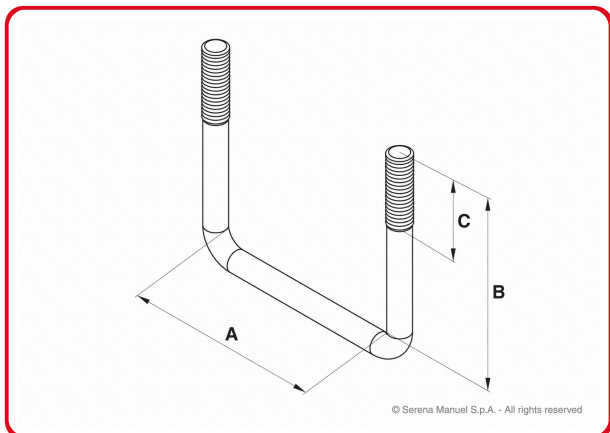
## U-bolt

### Zinc electroplated



CODE	DIAMETER		THREAD	MINIMUM QUANTITY	DIMENSIONS	
		(n°)		n°	A	B
91140016	1/2"	(21)	M8	100	39	25
91140026	3/4"	(27)	M8	100	47	30
91140036	1"	(33)	M8	100	59	30
91140356	1"	(33)	M10	50	66	35
91140156	40 ÷ 1"1/4	(40 ÷ 42)	M8	50	87	60
91140046	1"1/4	(42)	M10	50	65	40
91140066	1"1/2	(48)	M10	50	73	40
91140166	1"1/2 ÷ 52	(48 ÷ 52)	M8	50	100	65
91140076	2"	(60)	M10	50	84	40
91140666	2"	(60)	M12	25	110	50
91140176	2" ÷ 64	(60 ÷ 64)	M8	50	108	65
91140126	2"1/2	(76)	M10	50	101	40
91140856	2"1/2	(76)	M12	25	110	40
91140726	2"1/2 ÷ 82	(76 ÷ 82)	M8	50	117	60
91140926	3"	(89)	M10	25	106	35
91140776	3"	(89)	M12	25	120	50

## Square U-bolt

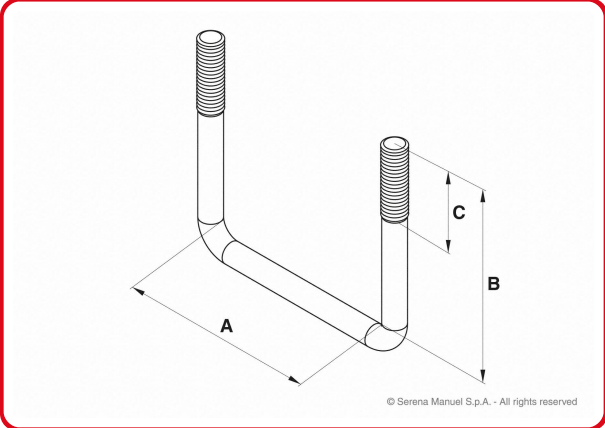


CODE	PIPE DIMENSION	THREAD	MINIMUM QUANTITY	DIMENSIONS		
			n°	A	B	C
91140142	60 x 60	M10	-	62	96	35



# Square U-bolt

## Stainless steel



### ON REQUEST

Available in stainless steel

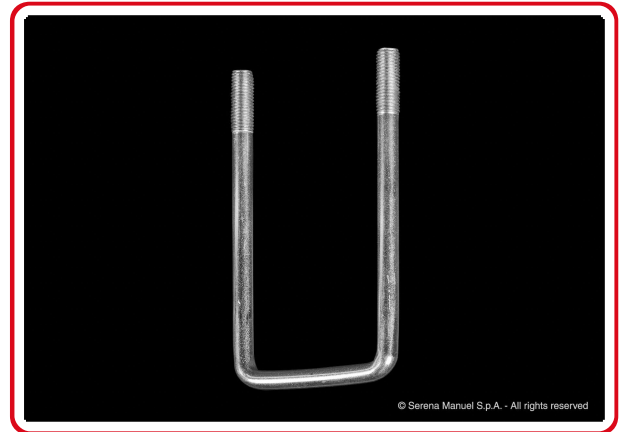
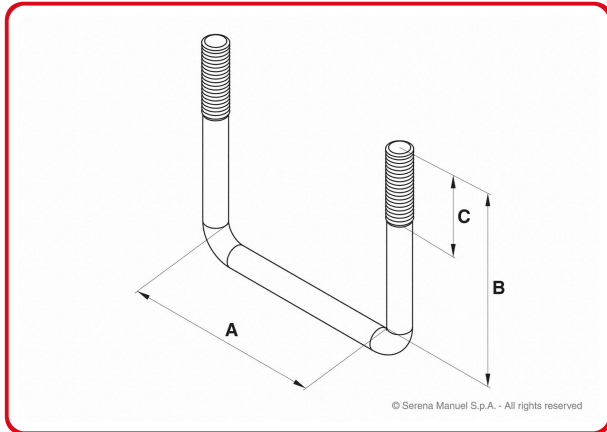




## Square U-bolt

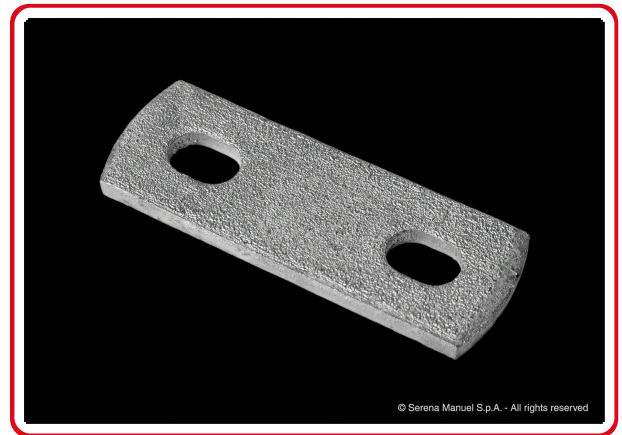
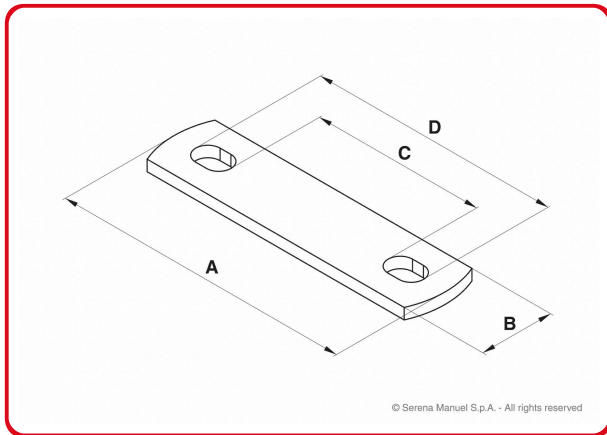
114

### Zinc electroplated



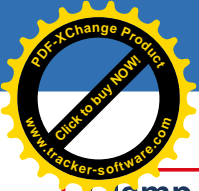
CODE	PIPE DIMENSION	THREAD	MINIMUM QUANTITY	DIMENSIONS		
				n°	A	B
91140426	50 x 50	M10	-	52	66	20
91140146	60 x 60	M10	-	62	96	35
91140646	60 x 60	M10	-	62	141	30
91140746	60 x 60	M10	-	63	120	30
91140786	60 x 60	M12	-	65	95	35
91140516	70 x 70	M10	-	74	96	35
91140756	80 x 80	M10	25	83	111	35
91140686	80 x 80	M12	-	83	110	35

## Clamp plate for U-bolt



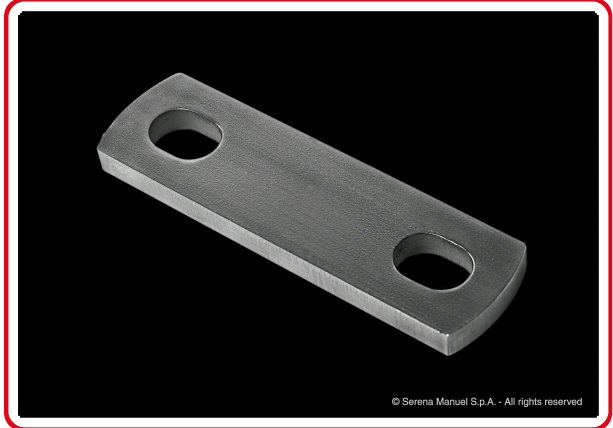
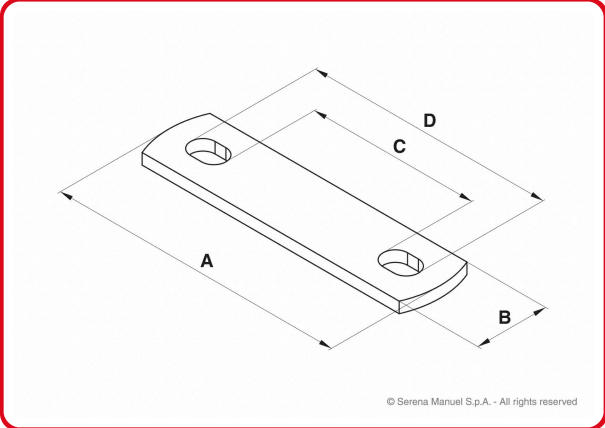
### ON REQUEST

Available in hot dip galvanised steel

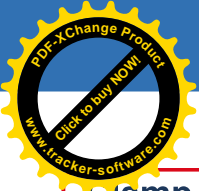


# Clamp plate for U-bolt

## Stainless steel

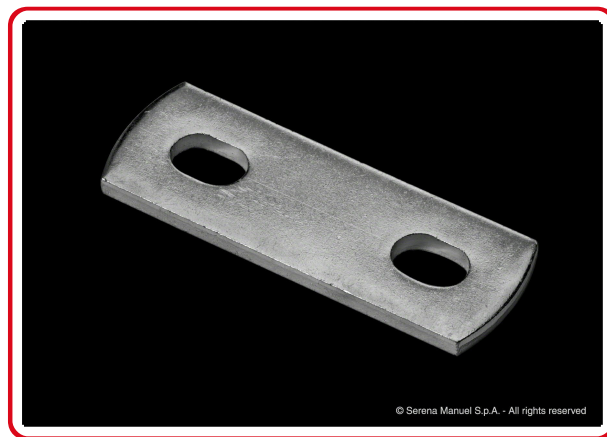
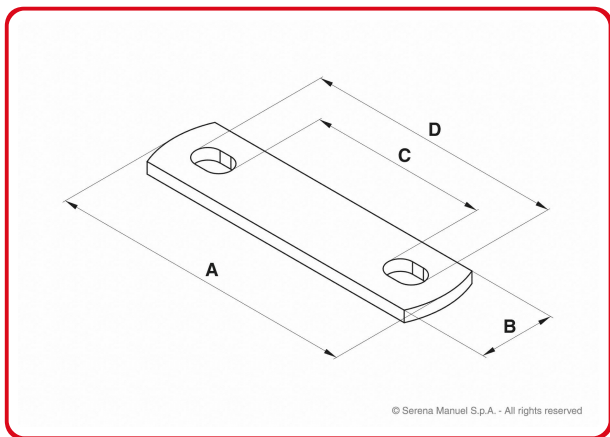


CODICE	DIAMETER		SLOTS	MINIMUM QUANTITY	DIMENSIONS			
					A	B	C	D
91150014	1/2"	(21)	9 x 13	n° 50	53	25	16	42



## Clamp plate for U-bolt

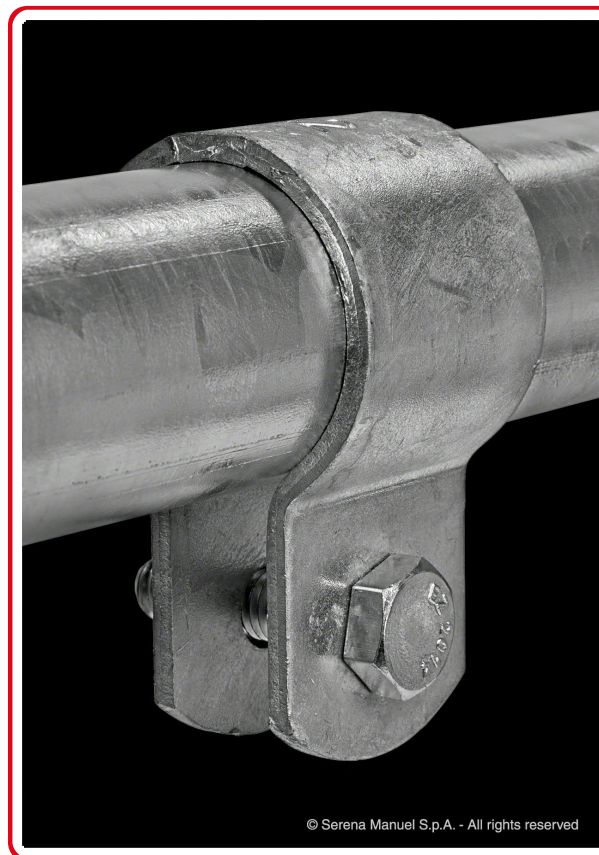
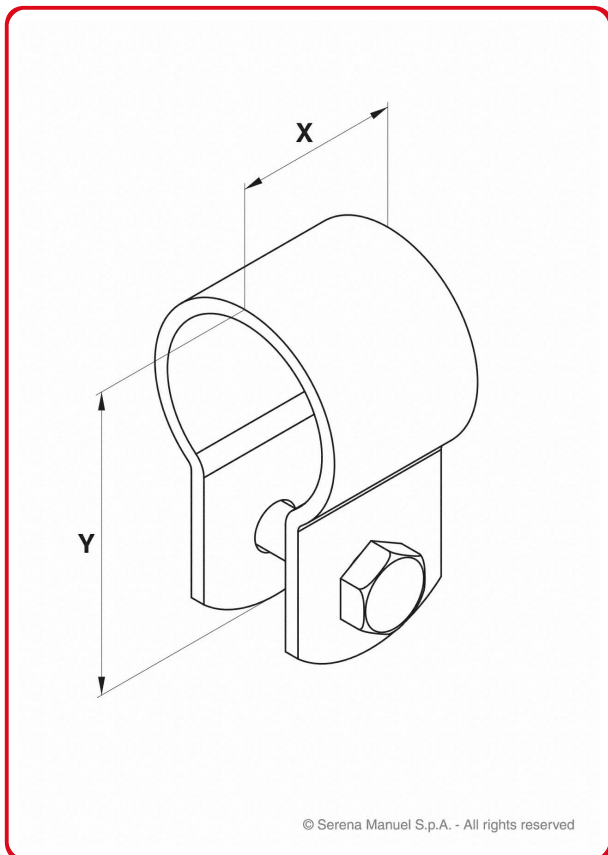
## Zinc electroplated



CODICE	DIAMETER	SLOTS	MINIMUM QUANTITY	DIMENSIONS			
				n°	A	B	C
91150016	1/2" (21)	9 x 13	100	53	25	16	42
91150066	3/4" ÷ 1" (27 ÷ 33)	9 x 13	100	71	25	29	55
91150256	3/4" ÷ 1" (27 ÷ 33)	11 x 15	50	71	25	27	57
91150096	40 ÷ 1"1/4 (40 ÷ 42)	9 x 13	50	81	25	39	65
91150216	1"1/4 ÷ 1"1/2 (42 ÷ 48)	9 x 13	50	87	25	45	71
91150046	1"1/4 ÷ 1"1/2 (42 ÷ 48)	11 x 15	50	87	25	43	73
91150156	1"1/2 ÷ 52 (48 ÷ 52)	9 x 13	50	90	25	48	74
91150086	2" ÷ 64 (60 ÷ 64)	9 x 13	50	100	30	58	84
91150056	2" (60)	11 x 15	50	102	25	58	88
91150266	2" (60)	13 x 16	25	102	30	57	89
91150226	2"1/2 (76)	11 x 15	50	118	25	74	104
91150236	2"1/2 (76)	13 x 16	25	118	30	73	105
91150246	3" (89)	13 x 16	25	135	30	88	120

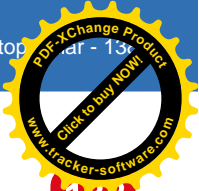
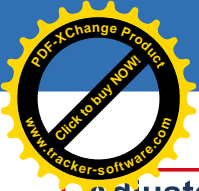
## heavy duty "Q" clip

137

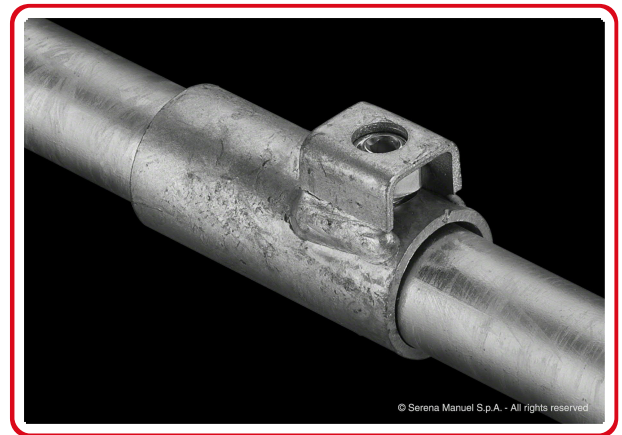
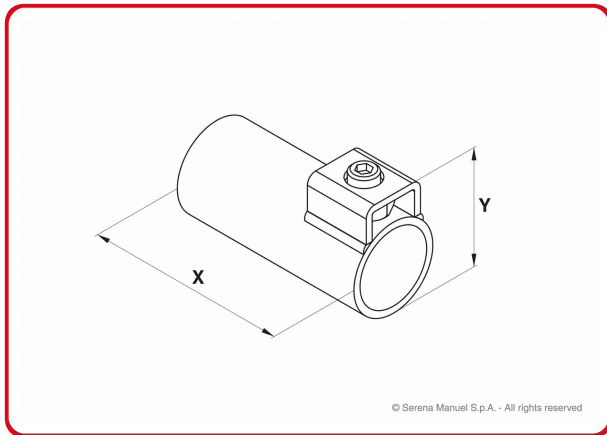


CODE	DIAMETER		BOLT AND NUT	MINIMUM QUANTITY		DIMENSIONS	
			n° 1	n°	X	Y	
91370013	1/2"	(21)	8x20	50	25	55	
91370023	3/4"	(27)	8x20	50	25	60	
91370033	1"	(33)	10x40	25	35	70	
91370043	1"1/4	(42)	10x40	25	40	85	
91370053	1"1/2	(48)	10x40	25	40	90	
91370063	2"	(60)	10x40	25	40	110	
91370073	3"	(89)	10x45	25	40	135	





# Adjustable stop collar

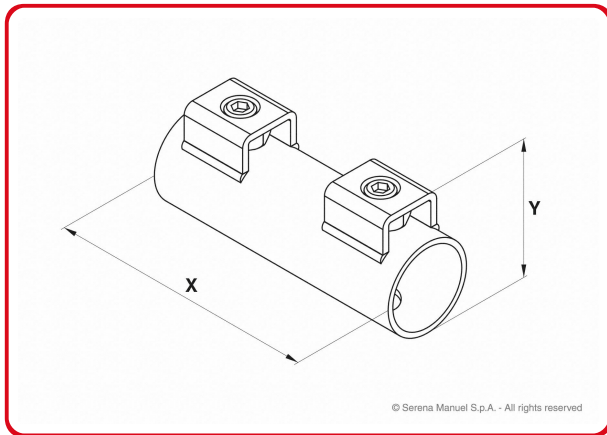


© Serena Manuel S.p.A. - All rights reserved

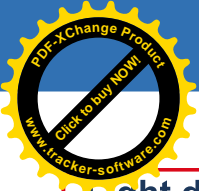
© Serena Manuel S.p.A. - All rights reserved

CODE	DIAMETER		NUT	GRUB SCREW	MINIMUM QUANTITY	DIMENSIONS	
		( )	n° 1	n° 1	n°	X	Y
91380013	1/2"	(21)	M10	10x16	1	75	40
91380023	3/4"	(27)	M10	10x16	1	75	45

## External pipe coupling

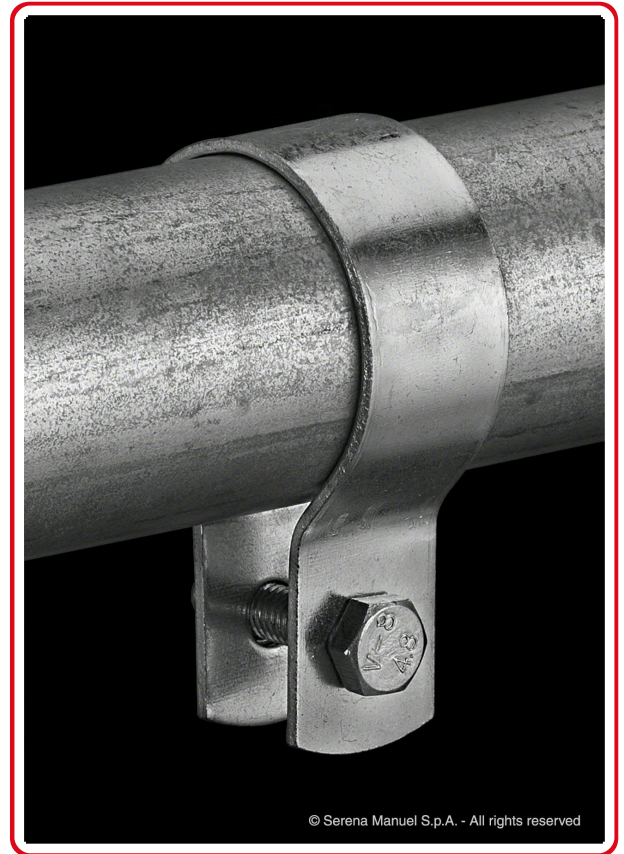
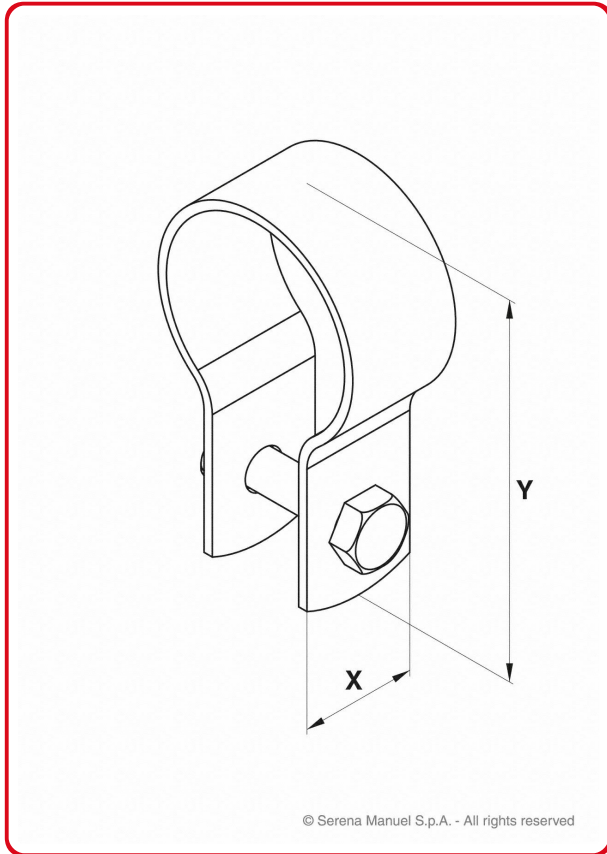


CODE	DIAMETER		NUTS	GRUB SCREWS	MINIMUM QUANTITY	DIMENSIONS	
		( )	n° 2	n° 2	n°	X	Y
91390033	1/2"	(21)	M10	10x16	1	210	40
91390013	3/4"	(27)	M10	10x16	1	100	45
91980023	3/4"	(27)	M10	10x16	1	185	45
91980043	3/4"	(27)	M10	10x16	1	200	45
91390043	3/4"	(27)	M10	10x16	1	210	45
91390023	3/4"	(27)	M10	10x16	1	300	45
91390063	3/4"	(27)	M10	10x16	1	400	45
91390053	3/4"	(27)	M10	10x16	1	500	45

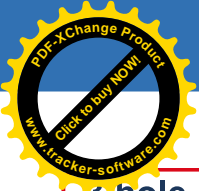


# Light duty "Q" clip

## Zinc electroplated

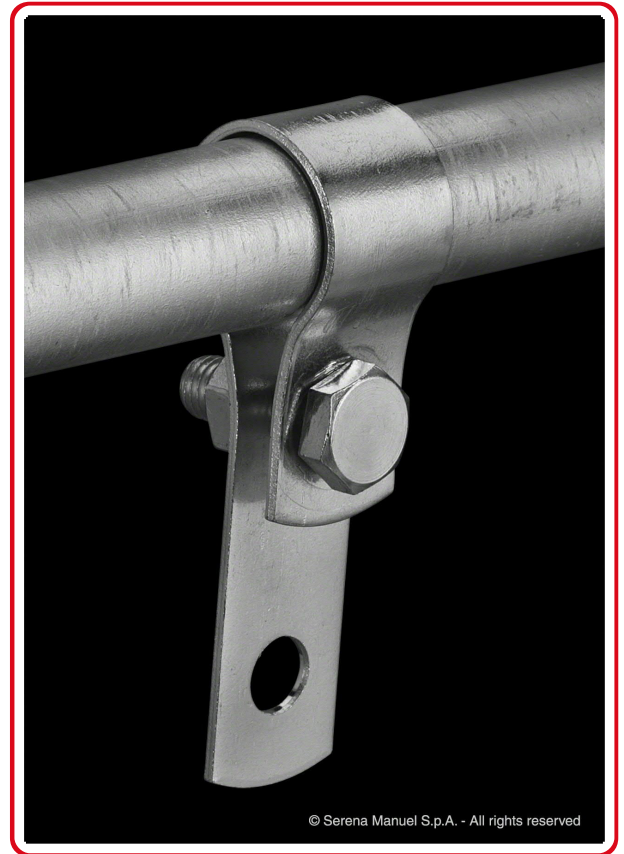
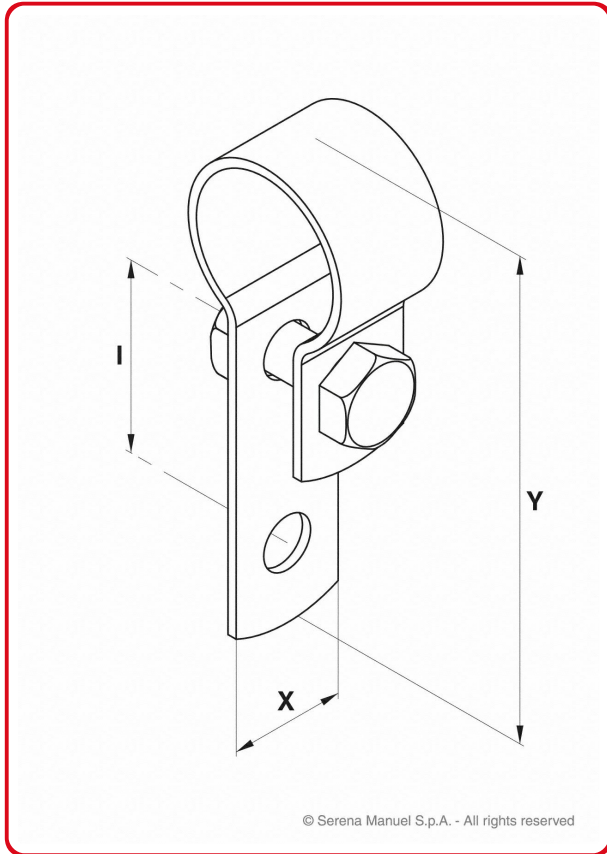


CODE	DIAMETER		BOLT AND NUT	MINIMUM QUANTITY	DIMENSIONS	
			n° 1	n°	X	Y
91400017	1/2"	(21)	8x20	200	25	55
91400027	3/4"	(27)	8x25	200	25	65
91400107	1"	(33)	8x30	200	25	65
91400047	1"1/4	(42)	8x30	150	25	80
91400057	1"1/2	(48)	8x30	100	25	90
91400067	2"	(60)	8x40	50	40	105



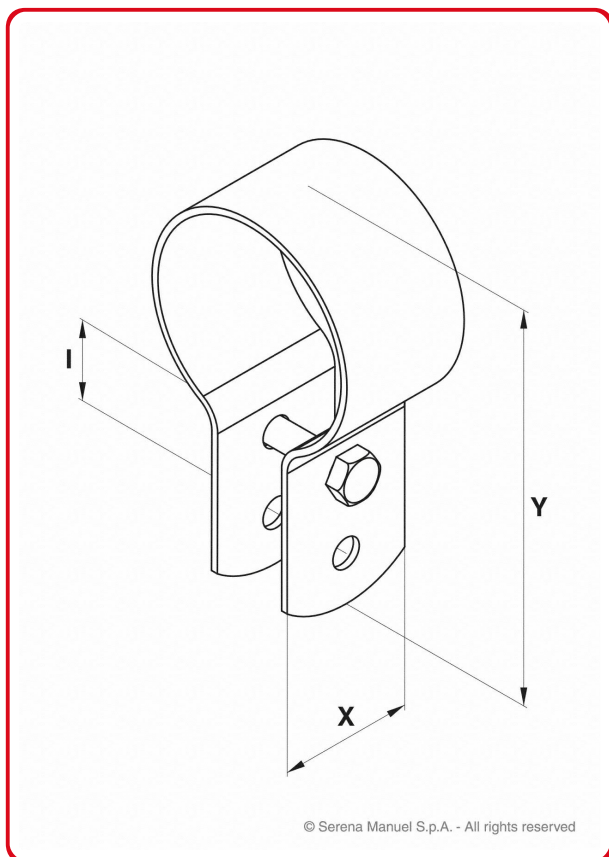
## 3 hole light duty "P" clip

### Zinc electroplated



CODE	DIAMETER		BOLT AND NUT	MINIMUM QUANTITY	DIMENSIONS		
		( )	n° 1	n°	X	Y	I
91410017	3/4"	(27)	10x30	200	25	105	41
91410027	1"	(33)	10x30	150	25	105	41
91410037	1"1/4	(42)	10x40	100	25	120	41

4 hole light duty "Q" clip



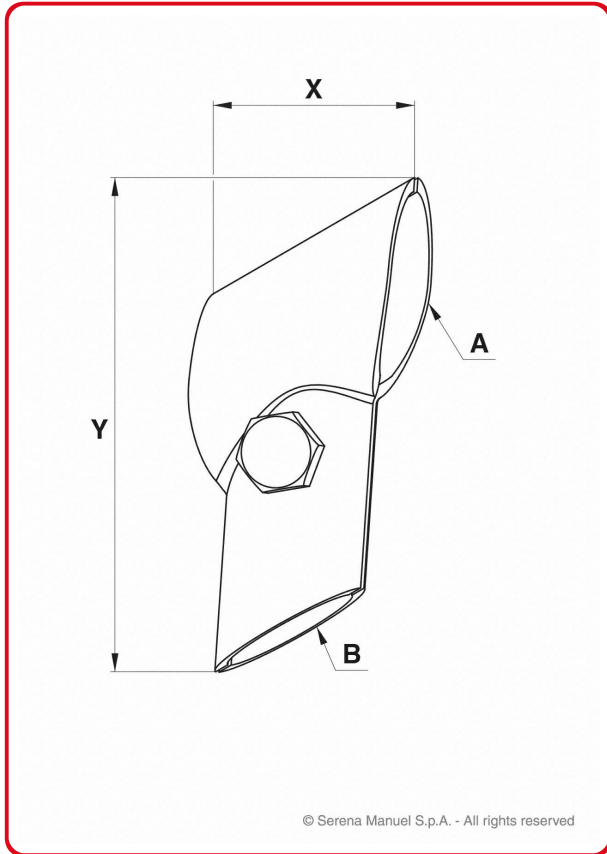
CODE	DIAMETER		BOLT AND NUT	MINIMUM QUANTITY	DIMENSIONS		
			n° 1	n°	X	Y	I
91430013	2"	(60)	8x25	1	40	120	24
91430023	2"1/2	(76)	8x40	1	40	130	24





# 123 degree tee clamp

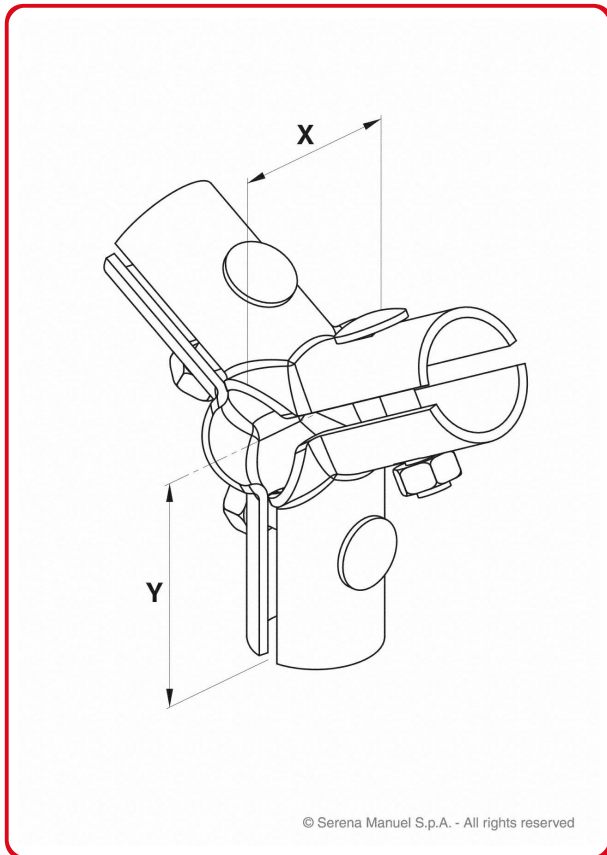
## Zinc electroplated



CODE	DIAMETERS				BOLT AND NUT	MINIMUM QUANTITY	DIMENSIONS	
	A	B	A	B			X	Y
91690017	1" x 3/4"	(33 x 27)	10x45	n° 1	25	52	120	
91690027	38 x 3/4"	(38 x 27)	10x45	n° 1	25	52	120	

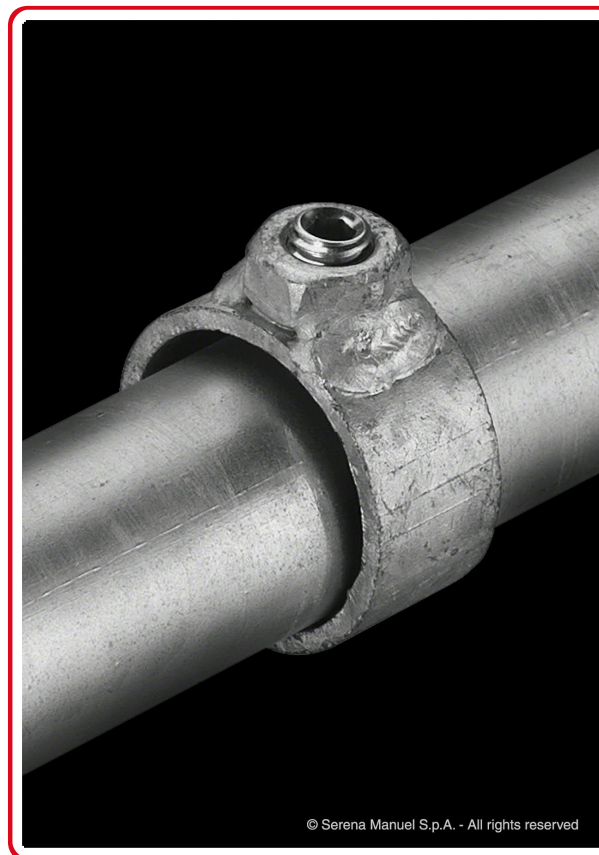
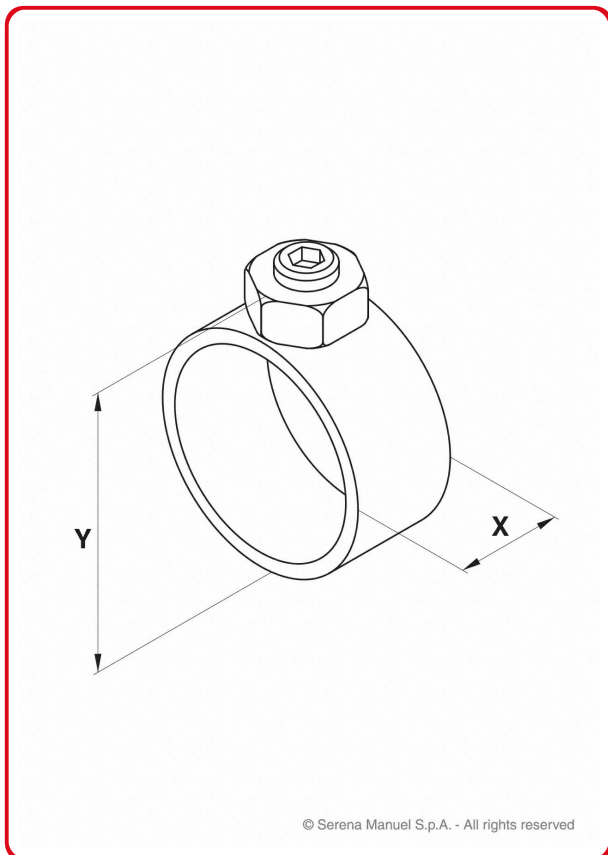


## 5 way cross joint - 120 degrees



CODE	DIAMETER		BOLTS AND NUTS	MINIMUM QUANTITY	DIMENSIONS	
					X	Y
92020013	3/4"	(27)	n° 3 10x40	n° 25	45	68
92020023	1"	(33)	10x50	25	55	73
92020033	1"1/4	(42)	10x60	10	65	95

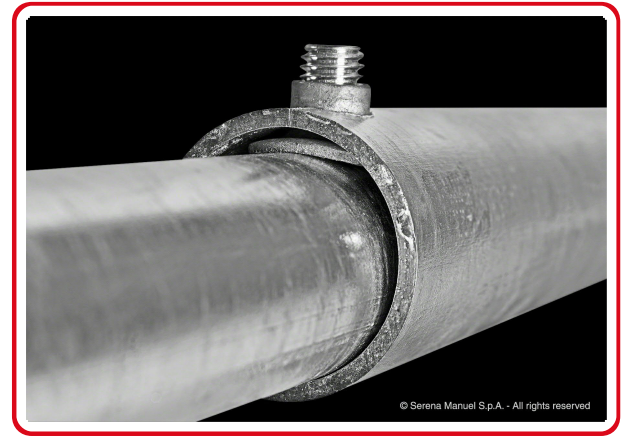
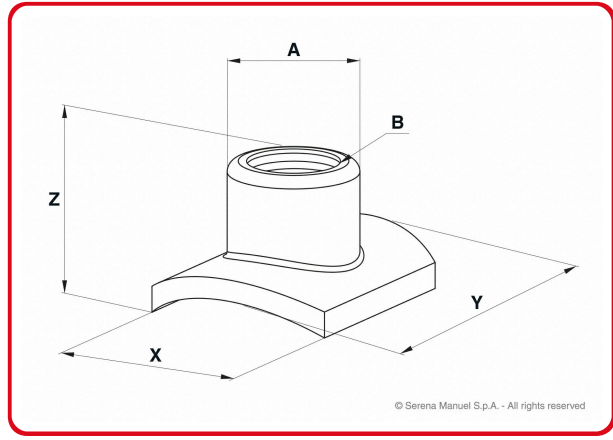
## Stop collar with welded nut



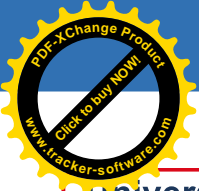
CODE	DIAMETER		GRUB SCREW	MINIMUM QUANTITY	DIMENSIONS	
					X	Y
92120023	3/4"	(27)	n° 1 10x16	n° 1	20	41
92120013	1"	(33)	10x16	1	20	50
92120033	2"	(60)	10x16	1	20	78



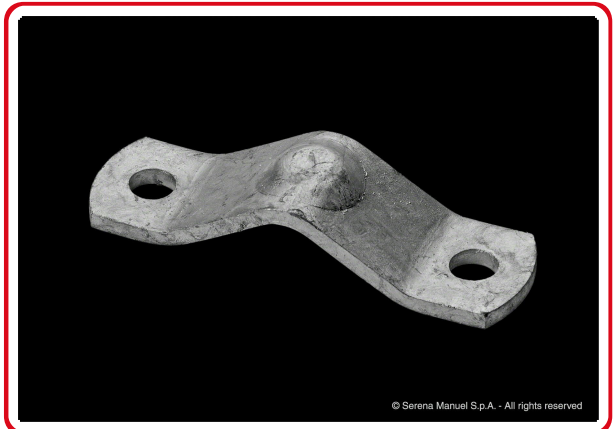
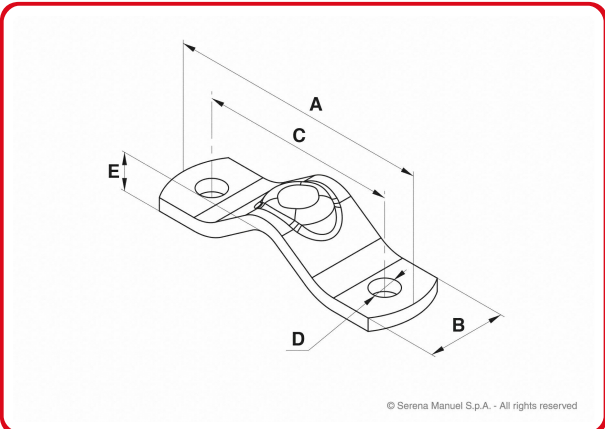
## Flange nut for pipe fastening



CODE	DIAMETER		THREAD	MINIMUM QUANTITY	DIMENSIONS		
	A	B			X	Y	Z
92170012	12	M10		50	18	26	12



# Universal bracket

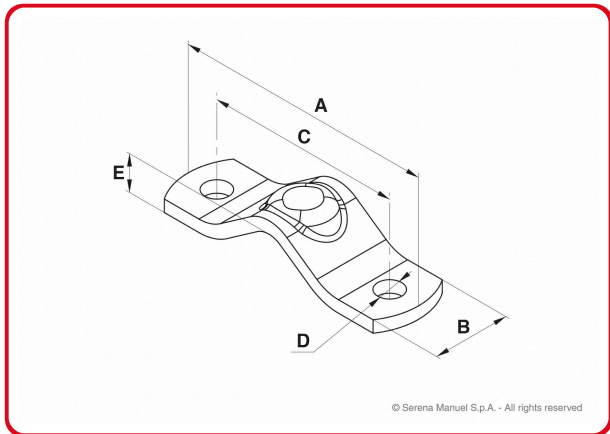


CODE	DIAMETER		MINIMUM QUANTITY	DIMENSIONS					HOLES
				A	B	C	D	E	
70290012	1/2" ÷ 3/4"	(21 ÷ 27)	10	90	25	63	9	11	2
70290022	1" ÷ 2"	(33 ÷ 60)	10	116	35	87	12	17	2

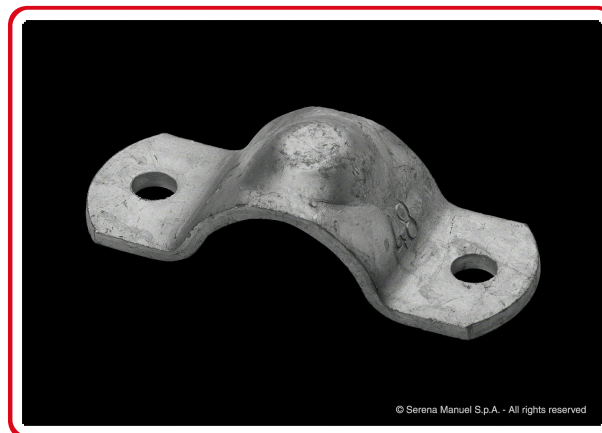
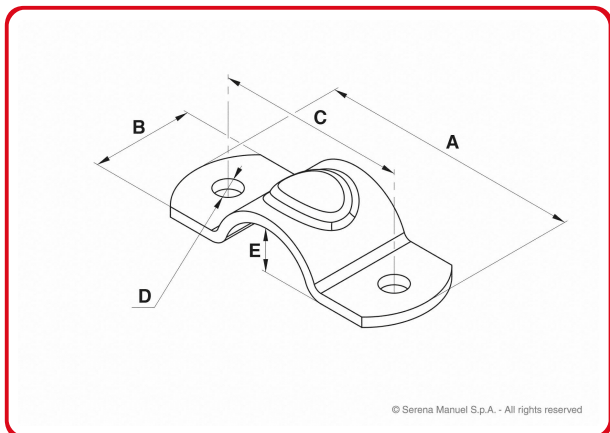


# Universal bracket

## Stainless steel



CODE	DIAMETER	MINIMUM QUANTITY	DIMENSIONS					HOLES
			A	B	C	D	E	
70290014	1/2" ÷ 3/4" (21 ÷ 27)	n° 10	A 90	B 25	C 63	D 9	E 11	n° 2

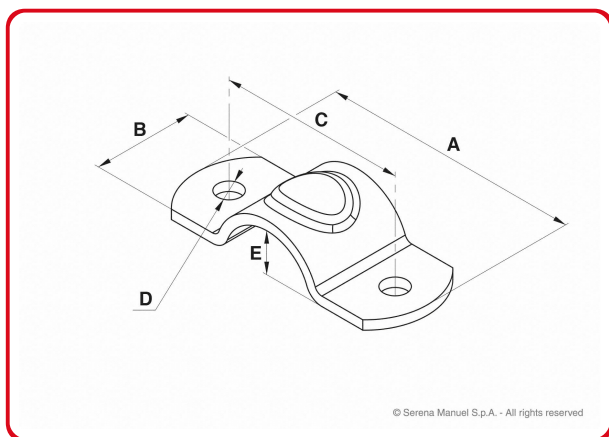


CODE	DIAMETER		MINIMUM QUANTITY	DIMENSIONS					HOLES
				n°	A	B	C	D	
70300082	1"	(33)	10	95	35	65	11	14	2
70300012	1"1/4	(42)	10	115	45	82	11	19	2
70300042	1"1/2	(48)	10	120	45	89	11	22	2
70300022		51	10	121	45	90	11	23	2
70300052	2"	(60)	10	130	45	100	11	28	2
70300032		64	10	132	45	98	11	28	2
70300242	2"1/2	(76)	10	152	45	115	12	36	2
70300072	3"	(89)	10	175	40	145	11	39	2
70300212	3"1/2	(102)	10	187	40	153	11	45	2
70300162	4"	(114)	10	215	40	183	11	49	2
70300172	5"	(140)	10	232	40	200	11	62	2
70300182	6"	(168)	10	268	40	238	11	73	2
70300282		200	10	311	40	281	11	89	2
70300252	8"	(219)	10	330	40	298	11	101	2

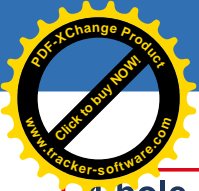


## Bracket

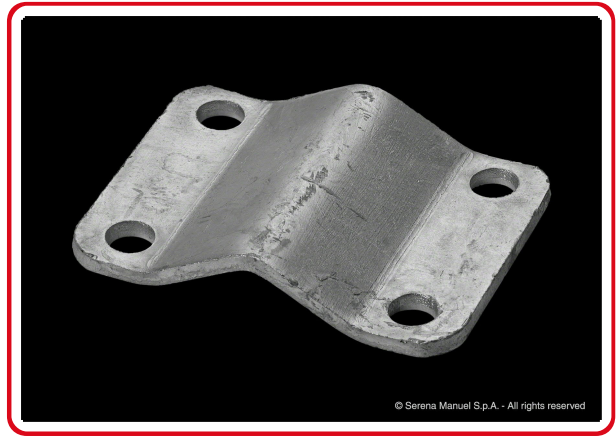
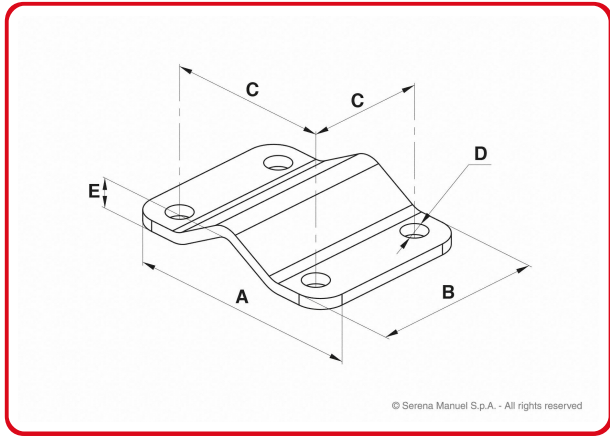
### Stainless steel



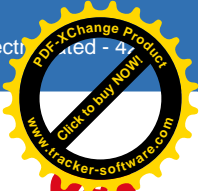
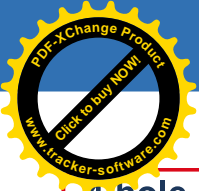
CODE	DIAMETER	MINIMUM QUANTITY	DIMENSIONS					HOLES	
			n°	A	B	C	D		E
70300074	3" (89)	10	10	175	40	145	11	39	2
70300214	3"1/2 (102)	10	10	187	40	153	11	45	2
70300164	4" (114)	10	10	215	40	183	11	49	2
70300174	5" (140)	10	10	232	40	200	11	62	2
70300184	6" (168)	10	10	268	40	238	11	73	2
70300284	200	10	10	311	40	281	11	89	2
70300254	8" (219)	10	10	330	40	298	11	101	2



# 4 hole universal bracket



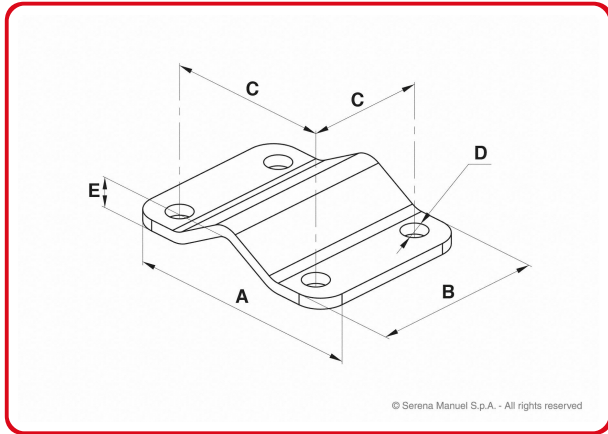
CODE	DIAMETER	MINIMUM QUANTITY	DIMENSIONS					HOLES
			A	B	C	D	E	
70420012	1" ÷ 2" (33 ÷ 60)	n° 10	107	80	56/76	11	15	n° 4



42

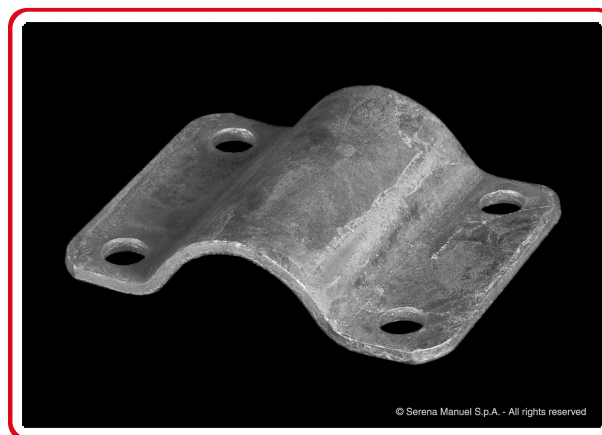
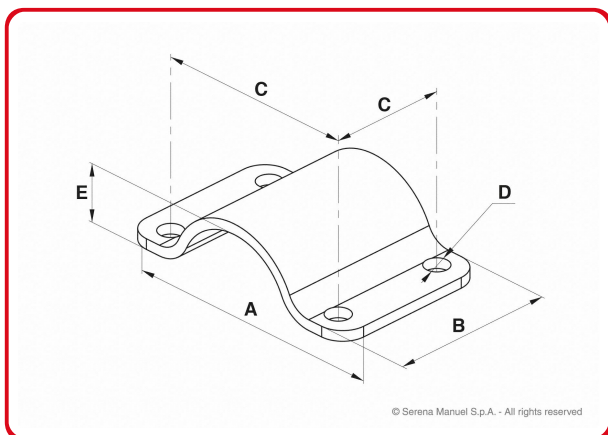
# 4 hole universal bracket

## Zinc electroplated



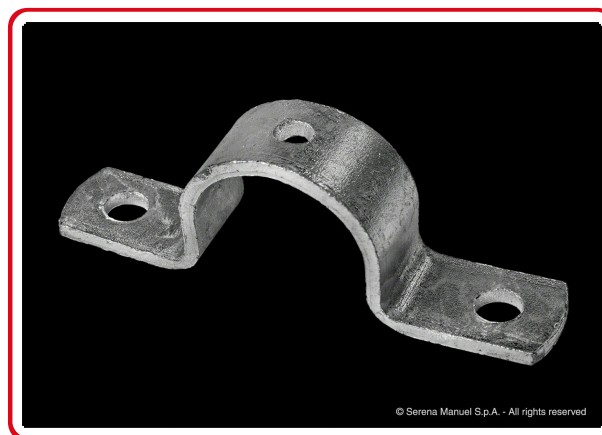
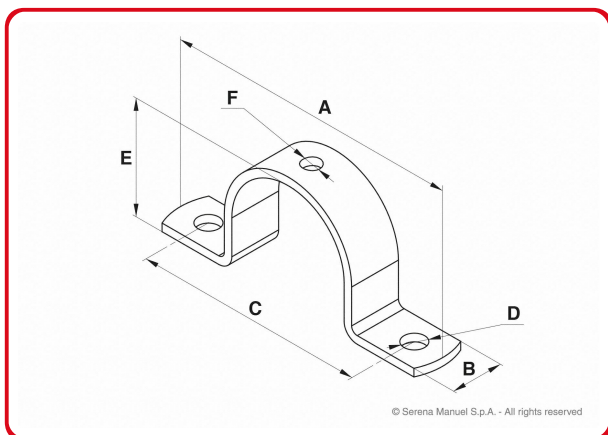
CODE	DIAMETER	MINIMUM QUANTITY	DIMENSIONS					HOLES
			A	B	C	D	E	
70420016	1" ÷ 2" (33 ÷ 60)	n° 10	A	B	C	D	E	n° 4
			107	80	56/76	11	15	

## 4 hole bracket

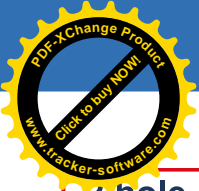


CODE	DIAMETER		MINIMUM QUANTITY	DIMENSIONS					HOLES
				n°	A	B	C	D	E
70430012	1"1/4	(42)	10	105	80	75/57	11	20	4
70430032	1"1/2	(48)	10	110	80	81/57	11	22	4
70430042	2"	(60)	10	126	80	96/57	11	28	4
70430052	2"1/2	(76)	10	146	80	117/57	11	35	4
70430072	3"	(89)	10	166	80	135/57	11	41	4

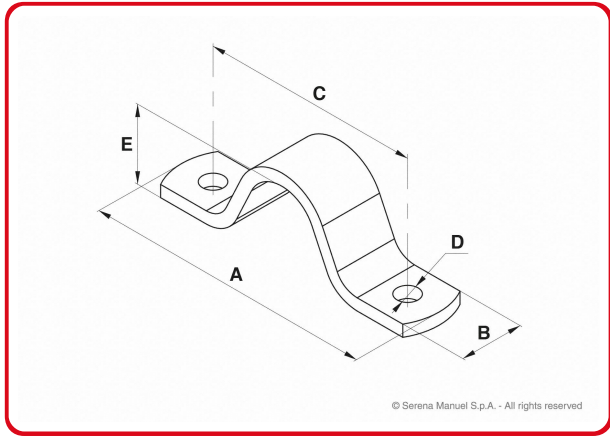
## Bridge bracket



CODE	DIAMETER		MINIMUM QUANTITY	DIMENSIONS						HOLES	
				n°	A	B	C	D	E		F
70550192	1/2"	(21)	50	50	81	25	56	9	18	-	2
70550202	3/4"	(27)	50	50	88	25	62	9	24	-	2
70550182	1"	(33)	50	50	97	25	74	9	28	6	3
70550152	1"	(33)	20	20	95	40	71	8,5	28	-	2
70550062	1"1/4	(42)	50	50	130	25	99	11	37	6	3
70550292	1"1/4	(42)	25	25	140	50	105	11,5	39	-	2
70550022	1"1/2	(48)	50	50	125	25	94	11	44	6	3
70550052	1"1/2	(48)	25	25	125	40	95	11	44	6	3
70550282	2"	(60)	50	50	140	25	110	9	55	6,5	3
70550072	2"	(60)	50	50	140	25	110	11	55	6	3
70550102	2"	(60)	25	25	140	40	108	11,5	55	6	3
70550162	2"	(60)	10	10	150	60	122	13	58	-	2
70550142	2"1/2	(76)	25	25	160	40	121	12,5	70	-	2

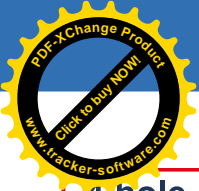


## 2 hole drinking bowl support bracket

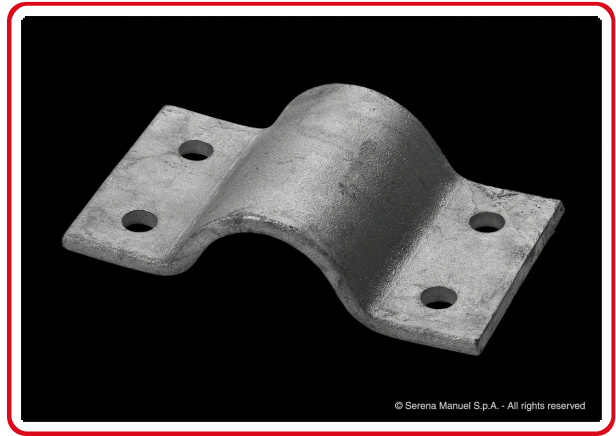
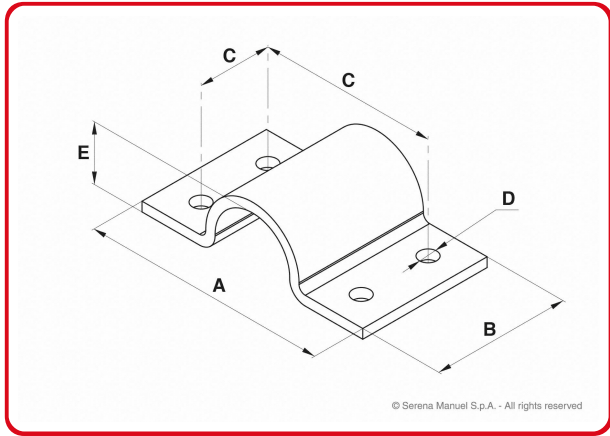


CODE	DIAMETER	MINIMUM QUANTITY	DIMENSIONS					HOLES
			A	B	C	D	E	
70550012	1"1/4 (42)	n° 10	135	30	102	11	37	n° 2

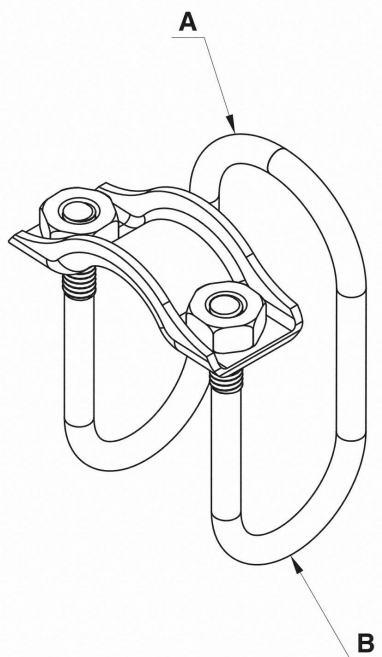




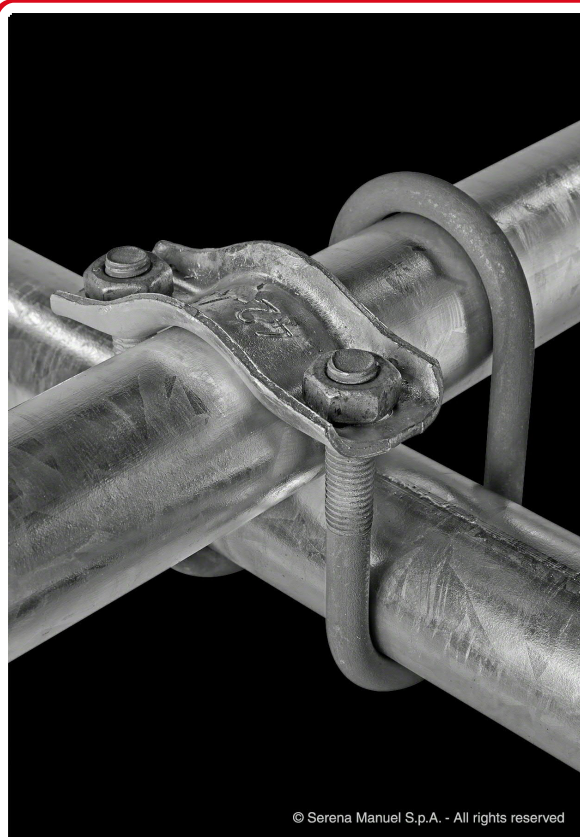
## 4 hole drinking bowl support bracket



CODE	DIAMETER		MINIMUM QUANTITY	DIMENSIONS					HOLES
				A	B	C	D	E	
70820052	1"1/2	(48)	n° 10	142	80	103/43	11	28	n° 4

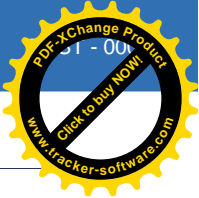


© Serena Manuel S.p.A. - All rights reserved



© Serena Manuel S.p.A. - All rights reserved

CODICE	DIAMETRI				DADI n° 2	QUANTITÀ MINIMA n°
	A	B	A	B		
91000013	1/2" x 1/2"		(21 x 21)		M8	100
91000023	3/4" x 3/4"		(27 x 27)		M8	100
91000033	3/4" x 1"		(27 x 33)		M8	100
91000043	3/4" x 2"		(27 x 60)		M8	100
91000053	3/4" x 75		(27 x 75)		M8	100
91000303	3/4" x 2"1/2		(27 x 76)		M8	- (*)
91000313	3/4" x 80		(27 x 80)		M8	- (*)
91000363	3/4" x 90		(27 x 90)		M8	100
91000063	1" x 1"		(33 x 33)		M8	100
91000073	1" x 1"1/4		(33 x 42)		M8	100
91000083	1" x 1"1/2		(33 x 48)		M8	100



91000093	1" x 2"	(33 x 60)	M8	100
91000293	1" x 70	(33 x 70)	M8	- (*)
91000283	1" x 72	(33 x 72)	M8	- (*)
91000113	1" x 2"1/2	(33 x 76)	M8	- (*)
91000343	1" x 80	(33 x 80)	M8	- (*)
91000123	1" x 90	(33 x 90)	M8	- (*)
91000133	1"1/4 x 1"1/4	(42 x 42)	M10	50
91000143	1"1/4 x 1"1/2	(42 x 48)	M10	50
91000153	1"1/4 x 2"	(42 x 60)	M10	50
91000163	1"1/2 x 1"1/2	(48 x 48)	M10	50
91000173	1"1/2 x 2"	(48 x 60)	M10	50
91000383	1"1/2 x 2"1/2	(48 x 76)	M10	-
91000183	2" x 3/4"	(60 x 27)	M8	100
91000373	2" x 1"	(60 x 33)	M8	100
91000393	2" x 1"1/2	(60 x 48)	M10	-
91000193	2" x 2"	(60 x 60)	M10	50
91000403	2" x 3"	(60 x 89)	M10	-
91000353	2"1/2 x 1"1/2	(76 x 48)	M10	50
91000223	2"1/2 x 2"	(76 x 60)	M10	50
91000323	80 x 1"	(80 x 33)	M10	50
91000273		83 x 35	M8	-

(\*) DISPONIBILE SU RICHIESTA