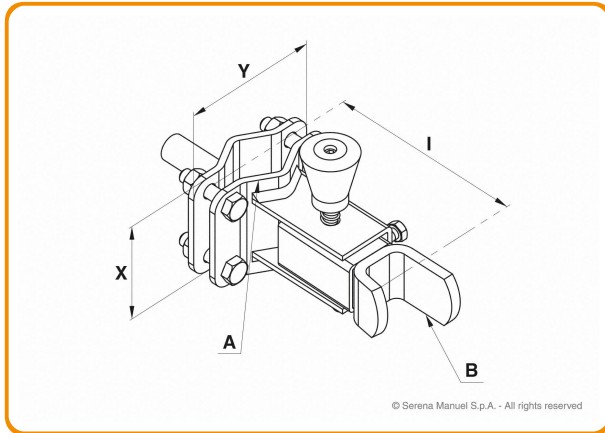
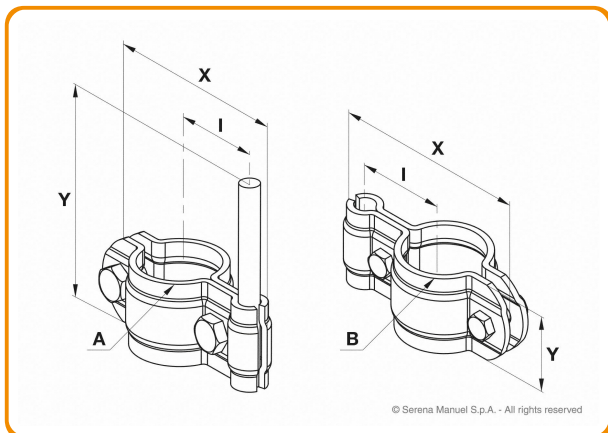


Automatic gate lock



CODE	DIAMETERS				BOLTS AND NUTS	MINIMUM QUANTITY	DIMENSIONS		
	A	B	A	B			X	Y	I
90140013	1" ÷ 2"	1"	(33 ÷ 60	x 33)	10x45	1	80	107	142÷157
90140023	1" ÷ 2"	1"1/4	(33 ÷ 60	x 42)	10x45	1	80	107	142÷157
90140033	1" ÷ 2"	1"1/2	(33 ÷ 60	x 48)	10x45	1	80	107	142÷157
90140043	1" ÷ 2"	2"	(33 ÷ 60	x 60)	10x60	1	80	107	142÷157
90140073	1" ÷ 2"	3"	(33 ÷ 60	x 89)	10x60	1	80	107	142÷157

Light duty half hinge

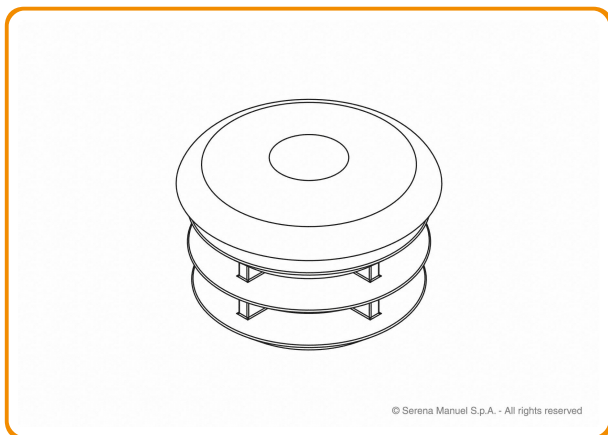


CODE	DIAMETER		BOLT AND NUT		MINIMUM QUANTITY	DIMENSIONS		
	A	A	n° 1	n° 1		n°	X	Y
90180113	1/2"	(21)	8x20	8x20	25	100	110	45
90180133	3/4"	(27)	8x20	8x20	25	100	110	45
90180153	1"	(33)	10x20	10x25	25	105	110	50
90180173	1"1/4"	(42)	10x20	10x25	25	115	110	55
90180193	1"1/2"	(48)	10x20	10x25	25	120	110	60
90180213	2"	(60)	10x20	10x20	25	145	110	70

	B	B						
90180103	1/2"	(21)	8x20	8x20	25	100	45	45
90180123	3/4"	(27)	8x20	8x20	25	100	45	45
90180143	1"	(33)	10x20	10x25	25	105	45	50
90180163	1"1/4"	(42)	10x20	10x25	25	115	45	55
90180183	1"1/2"	(48)	10x20	10x25	25	120	45	60
90180203	2"	(60)	10x20	10x20	25	145	55	70

Plastic stop end

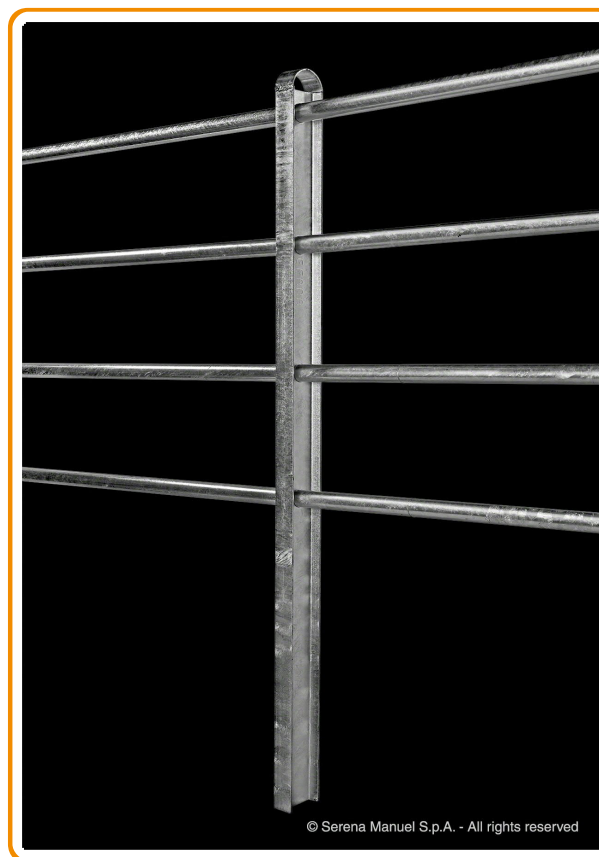
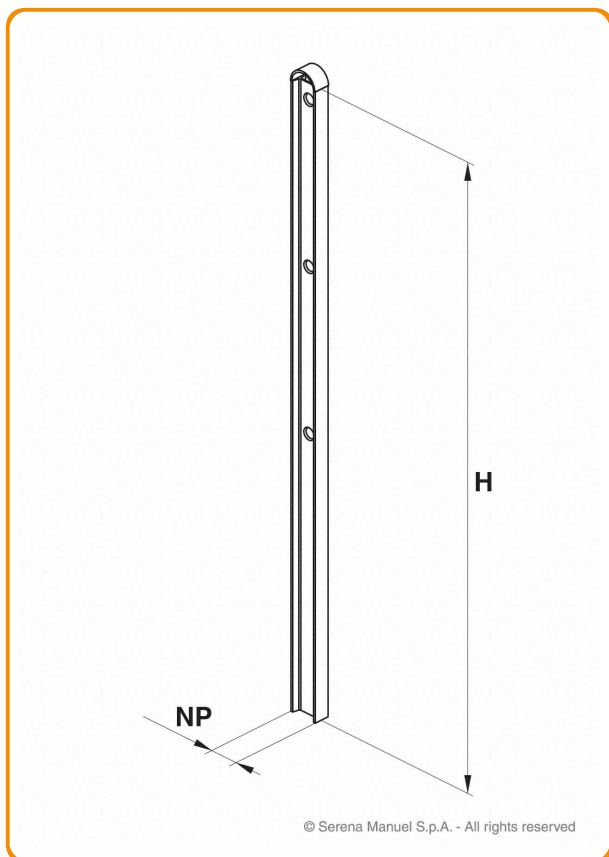
Polyethylene (PE)



CODE	DIAMETER		MINIMUM QUANTITY
			n°
90200093	1/2"	(21)	100
90200013	3/4"	(27)	100
90200023	1"	(33)	100
90200033	1"1/4	(42)	100
90200043	1"1/2	(48)	100
90200053	2"	(60)	50
90200063	2"1/2	(76)	50
90200083	3"	(89)	50
90200073	3"1/2	(102)	50
90200103	4"	(114)	-

Fence post

28

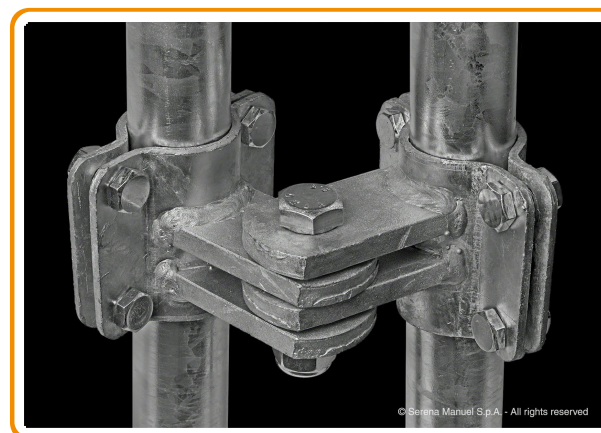
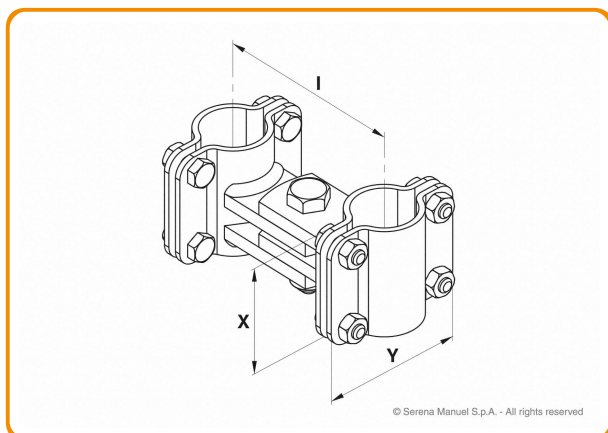


CODE	SECTION	HEIGHT	MINIMUM QUANTITY	HOLES
	NP	H	n°	n°
90280012	80	1.700	1	0
90280022	80	1.700	1	1
90280032	80	1.700	1	3
90280042	80	1.700	1	4
90280272	80	1.700	1	2
90280122	80	2.000	1	0
90280192	80	2.000	1	1
90280202	80	2.000	1	3
90280212	80	2.000	1	4
90280152	100	1.500	1	0
90280182	100	1.500	1	2

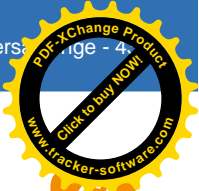


90280052	100	1.700	1	0
90280062	100	1.700	1	1
90280072	100	1.700	1	3
90280082	100	1.700	1	4
90280092	100	2.000	1	0
90280222	100	2.000	1	1
90280232	100	2.000	1	3
90280242	100	2.000	1	4
90280162	100	2.200	1	0
90280172	100	2.200	1	3

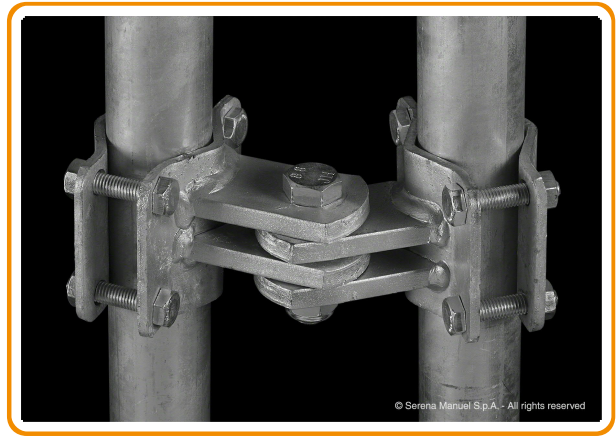
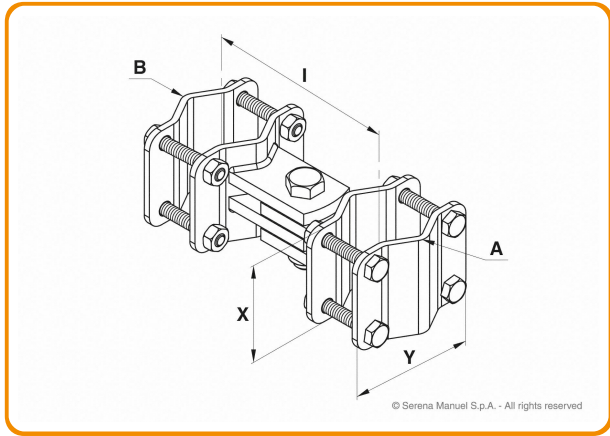
heavy duty hinge



CODE	DIAMETERS		BOLTS AND NUTS		MINIMUM QUANTITY	DIMENSIONS		
			n° 8	n° 1		n°	X	Y
90430013	1"1/4 x 1"1/4	(42 x 42)	10x25	16x65	1	80	105	138
90430053	1"1/2 x 1"1/4	(48 x 42)	10x25	16x65	1	80	110	141
90430023	1"1/2 x 1"1/2	(48 x 48)	10x25	16x65	1	80	110	144
90430063	2" x 1"1/4	(60 x 42)	10x25	16x65	1	80	125	149
90430073	2" x 1"1/2	(60 x 48)	10x25	16x65	1	80	125	152
90430033	2" x 2"	(60 x 60)	10x25	16x65	1	80	125	160
90430083	2"1/2 x 1"1/4	(76 x 42)	10x25	16x65	1	80	140	156
90430093	2"1/2 x 1"1/2	(76 x 48)	10x25	16x65	1	80	140	159
90430103	2"1/2 x 2"	(76 x 60)	10x25	16x65	1	80	140	167
90430043	2"1/2 x 2"1/2	(76 x 76)	10x25	16x65	1	80	140	174
90430163	3" x 1"1/4	(89 x 42)	10x30	16x65	1	80	140	165
90430173	3" x 1"1/2	(89 x 48)	10x30	16x65	1	80	166	169
90430183	3" x 2"	(89 x 60)	10x30	16x65	1	80	166	177
90430193	3" x 2"1/2	(89 x 76)	10x30	16x65	1	80	166	185
90430203	3" x 3"	(89 x 89)	10x30	16x65	1	80	166	193



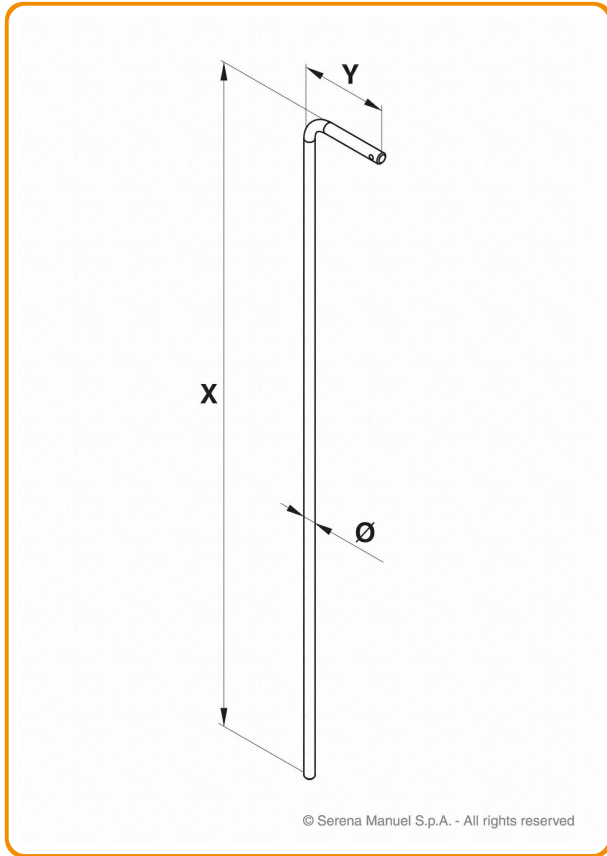
heavy duty universal hinge



CODE	DIAMETERS				BOLTS AND NUTS			MINIMUM QUANTITY	DIMENSIONS		
	A	B	A	B	n° 8	n° 8	n° 1		n°	X	Y
90430223	1" ÷ 2"	x 1" ÷ 2"	33 ÷ 60	x 33 ÷ 60	10x60	10x45	16x65	1	80	105	130-160

Gate pin

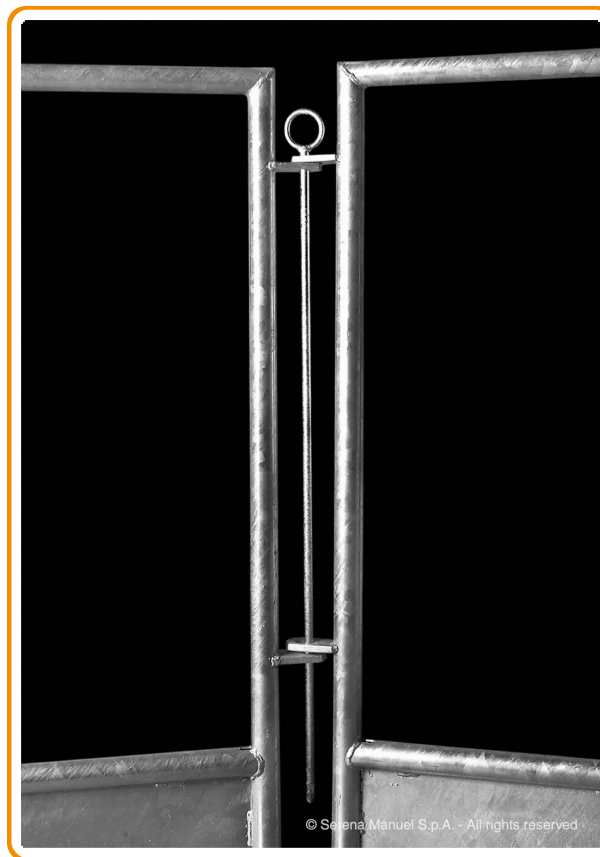
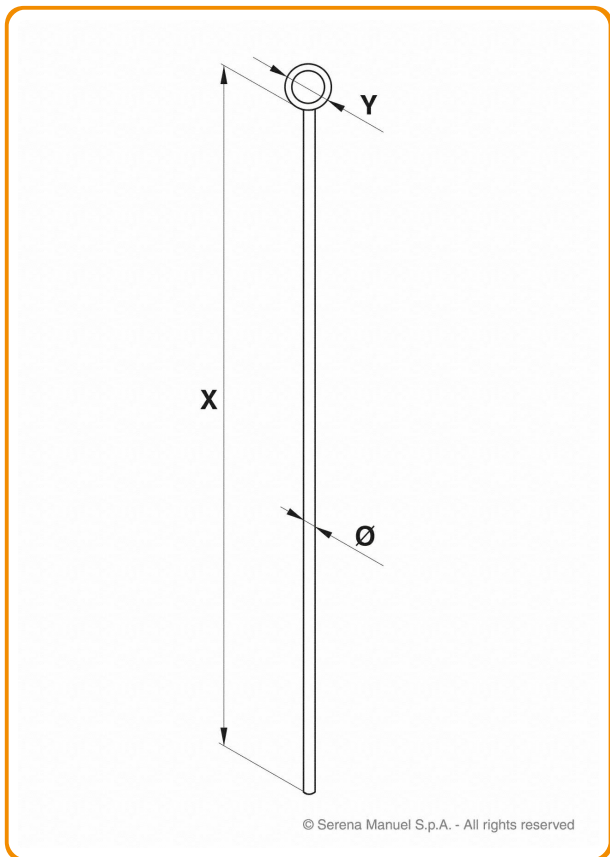
63



CODE	SECTION	MINIMUM QUANTITY	DIMENSIONS	
			X	Y
90630012	Ø 15	n° 1	900	120

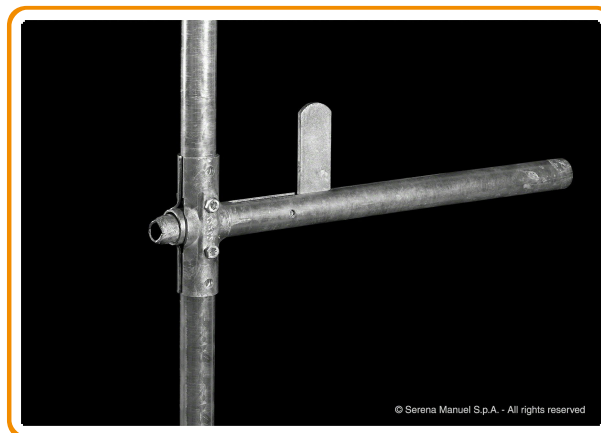
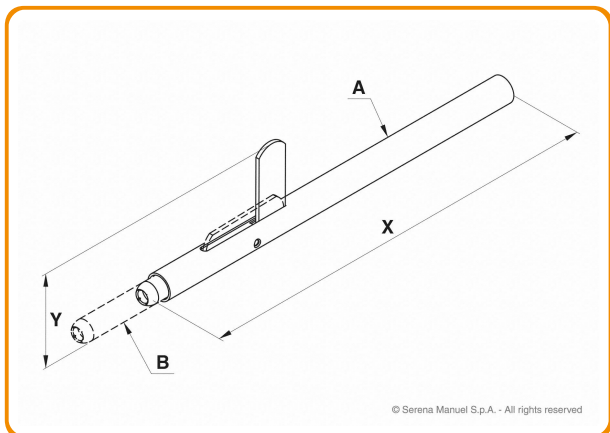
Eye gate pin

63

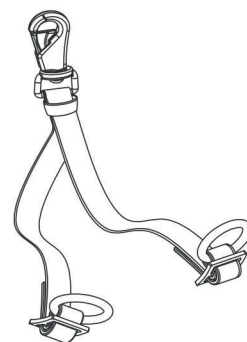
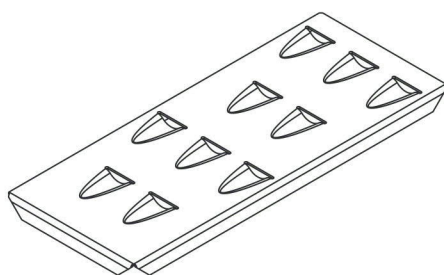
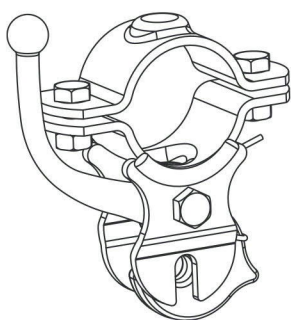


CODE	SECTION	MINIMUM QUANTITY	DIMENSIONS	
			X	Y
90630022	Ø 16	n° 1	1.200	60

Sliding gate lock

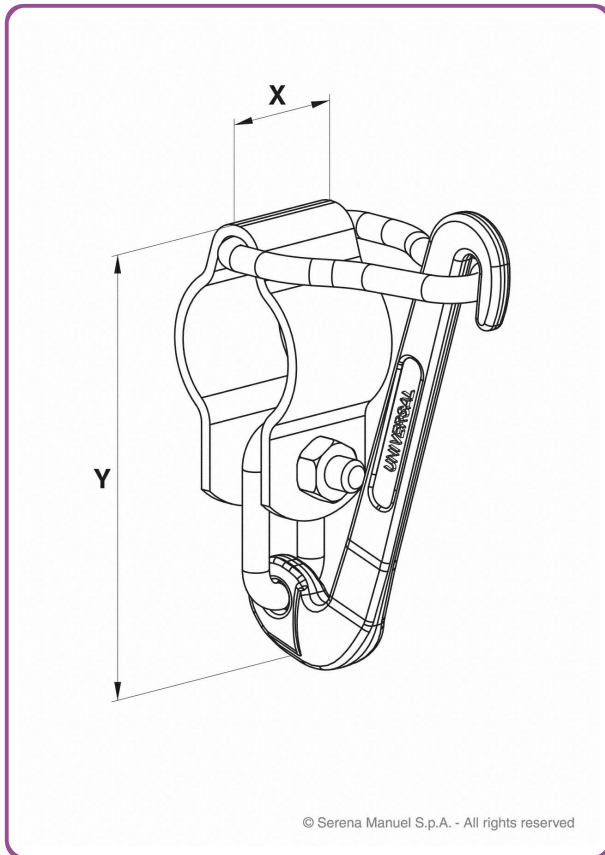


CODE	DIAMETERS				MINIMUM QUANTITY	DIMENSIONS	
	A	B	A	B		X	Y
90680012	1"1/4	1"	(42)	(33)	n° 1	670-790	150-63





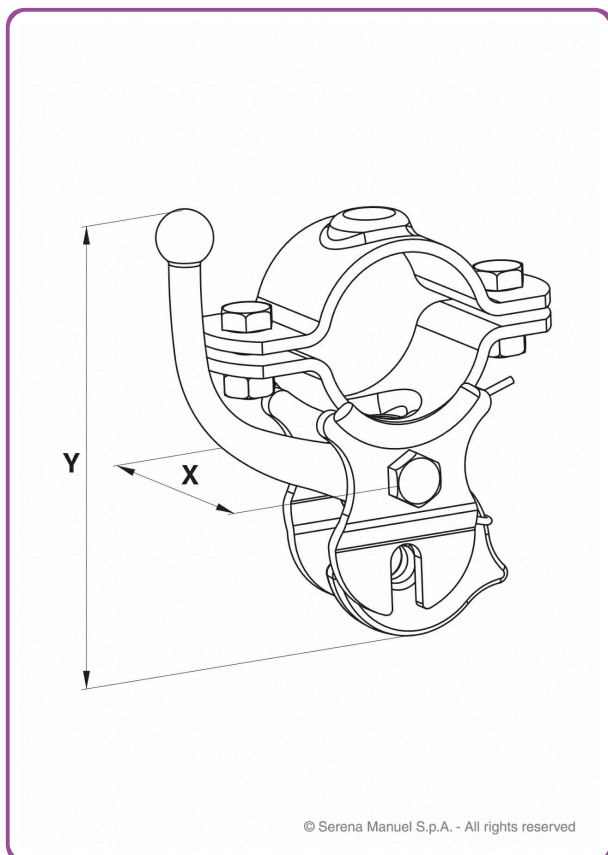
Universal quick release lock



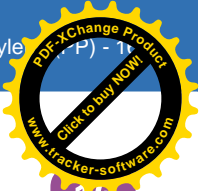
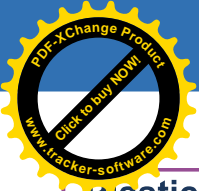
CODE	DIAMETER	BOLT AND NUT	MINIMUM QUANTITY	DIMENSIONS	
				X	Y
90040013	1" (33)	n° 1 10x40	n° 25	40	115
90040023	1"1/4 (42)	10x40	25	40	125
90040033	1"1/2 (48)	10x40	25	40	130
90040043	2" (60)	10x40	25	40	140

Quick release hook

3

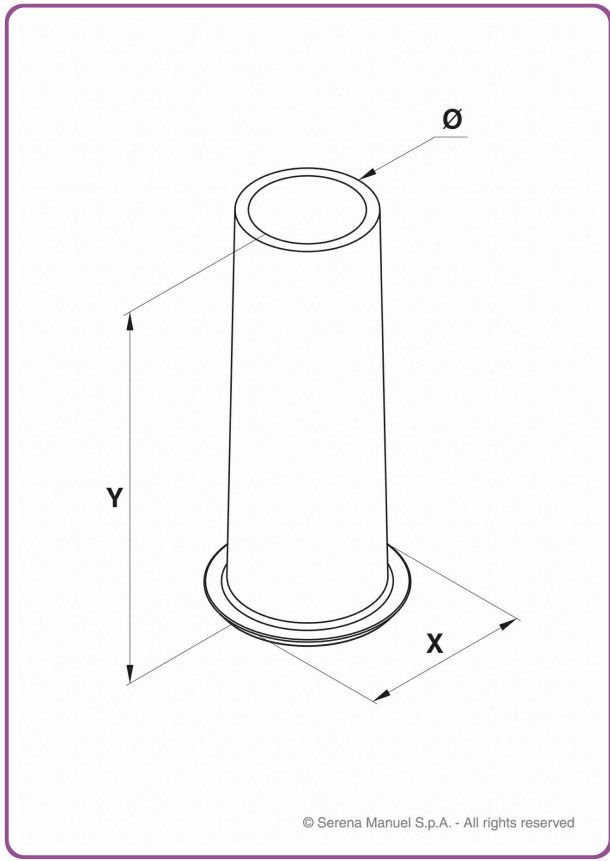


CODE	DIAMETER	BOLTS AND NUTS		MINIMUM QUANTITY	DIMENSIONS	
		n° 2	n° 1		n°	X
90090013	1"1/4 (42)	10x25	10x55	1	65	170
90090023	1"1/2 (48)	10x25	10x55	1	65	170
90090033	2" (60)	10x25	10x55	1	65	170



Plastic socket

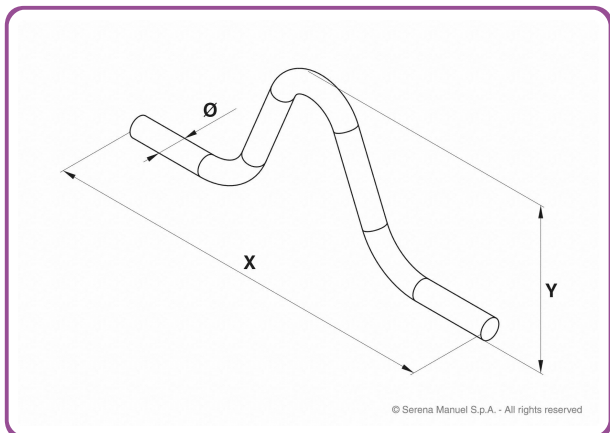
Polypropylene (PP)



CODE	DIAMETER		MINIMUM QUANTITY	DIMENSIONS	
	Ø			X	Y
90160013	1"1/4	(42)	1	78	170
90160023	1"1/2	(48)	1	60	170

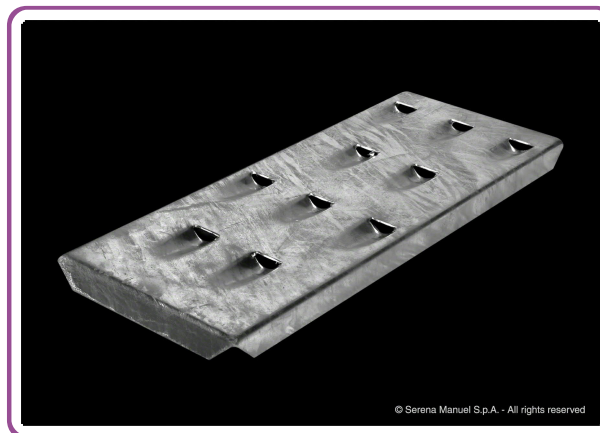
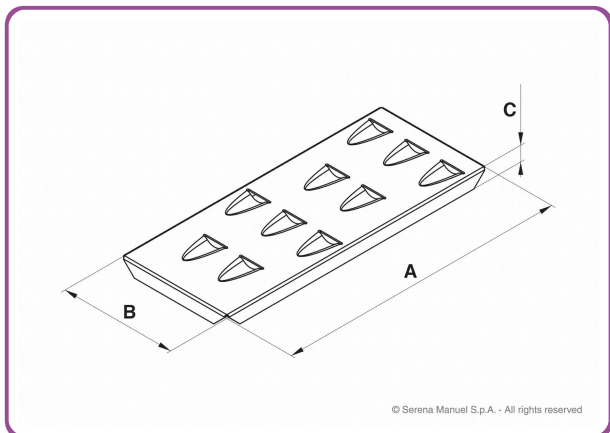
Chain stirrup

19



CODE	SECTION	MINIMUM QUANTITY	DIMENSIONS	
			X	Y
90190012	\varnothing 16	n° 1	310	140

Drainage grid



© Serena Manuel S.p.A. - All rights reserved

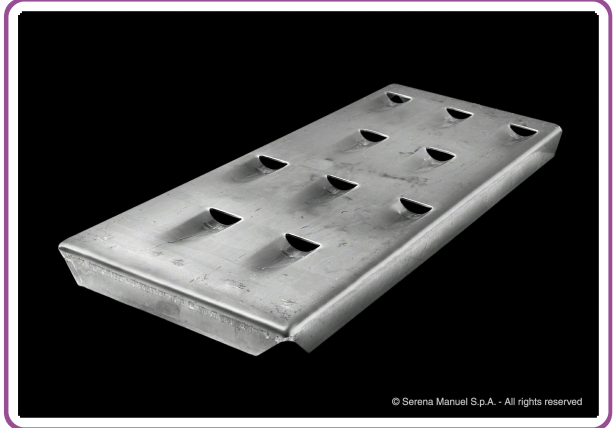
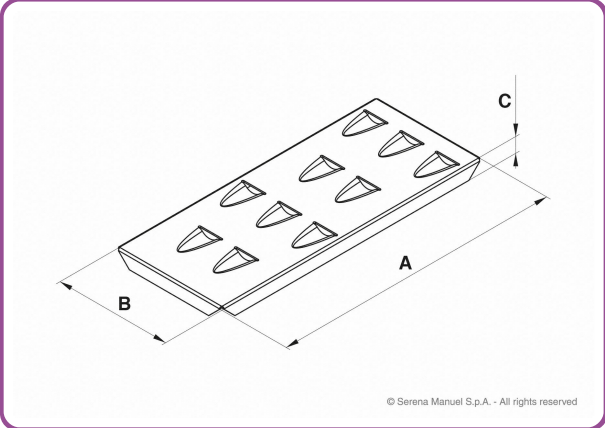
© Serena Manuel S.p.A. - All rights reserved

CODE	DIMENSIONS			MINIMUM QUANTITY
	A	B	C	n°
90260062	500	x 200	x 20	1
90260072	500	x 200	x 28	1



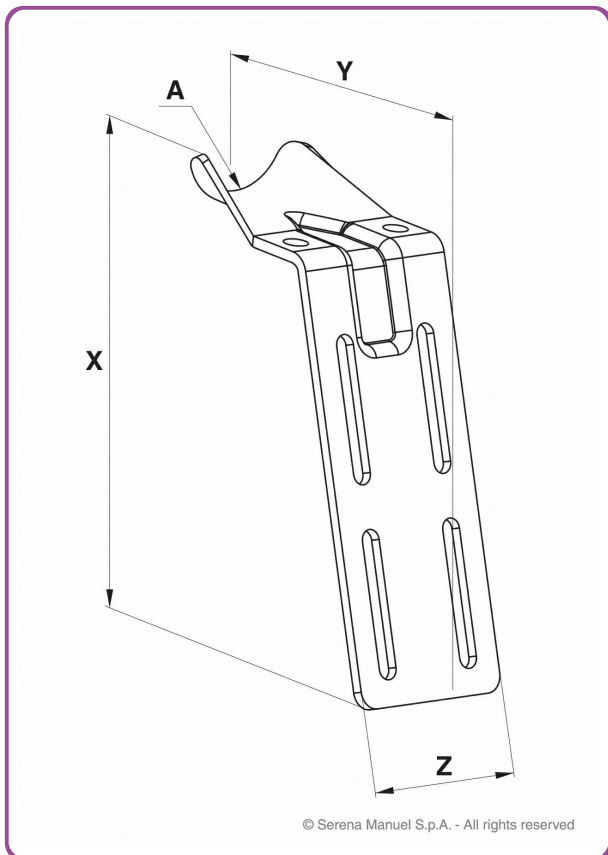
Drainage grid

Stainless steel

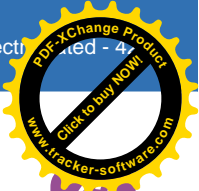
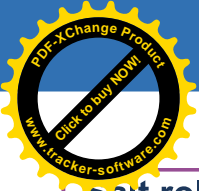


CODE	DIMENSIONS			MINIMUM QUANTITY
	A	B	C	n°
90260064	500	x 200	x 20	1
90260074	500	x 200	x 28	1

Kneebeater support

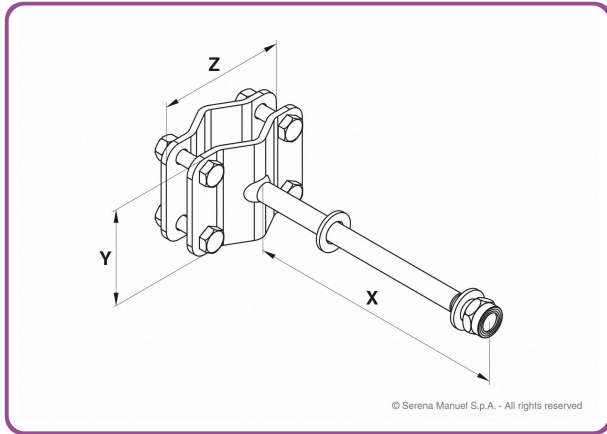


CODE	DIAMETER		MINIMUM QUANTITY	DIMENSIONS		
	A			X	Y	Z
90340212	2"	(60)	n° 1	256	194	100

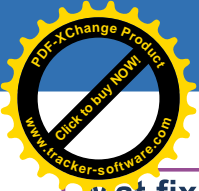


Salt roll holder

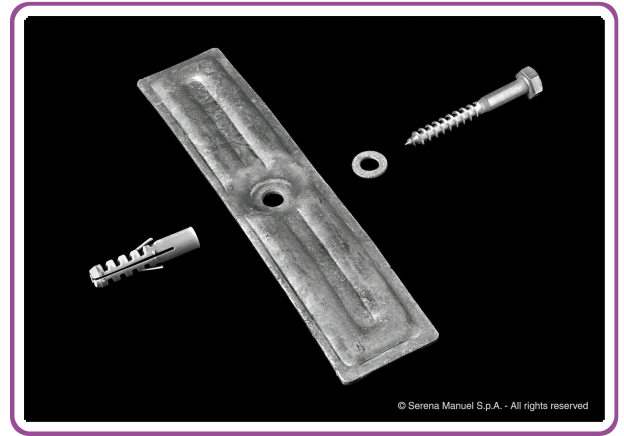
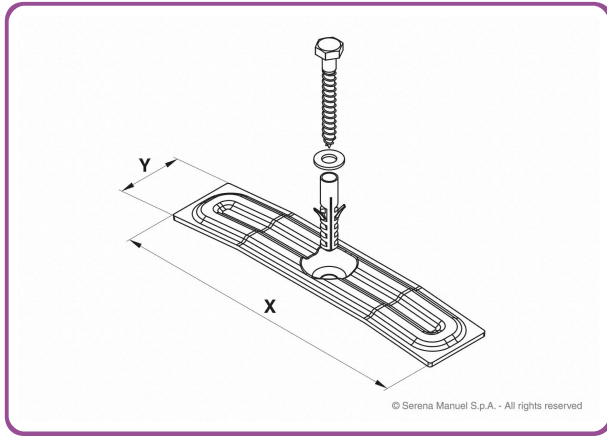
Zinc electroplated



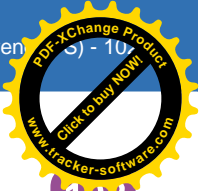
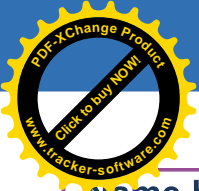
CODE	DIAMETER	BOLTS AND NUTS	NUT	WASHERS	MINIMUM QUANTITY	DIMENSIONS					
						n°	n°	n°	X	Y	Z
90420017	1" ÷ 2" (33 ÷ 60)	n° 4 10x45	n° 1 M16	n° 2 30x17	n° 1	X	Y	Z	210	80	116



Mat fixing bracket complete with fixing kit



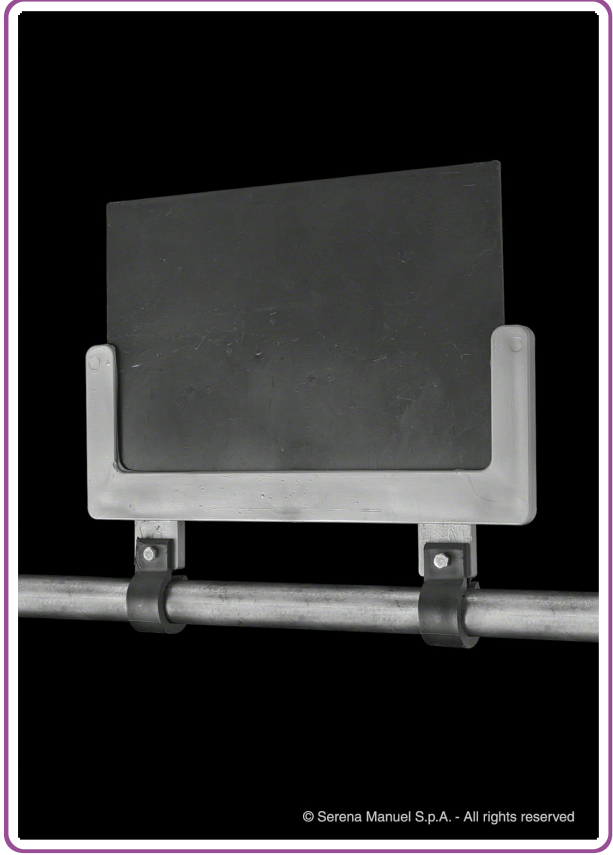
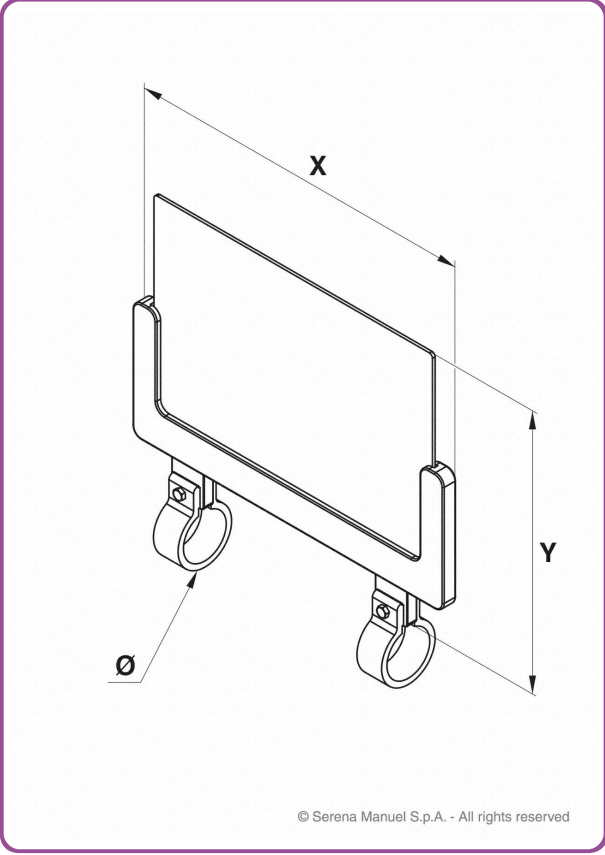
CODE	DIMENSIONS		COACH SCREW	WASHER	PLUG	MINIMUM QUANTITY
	X	Y				
90810013	250	x 54	10x60	20x9,5	12x55	1
90810023	250	x 54	10x80	20x9,5	12x55	1



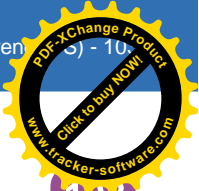
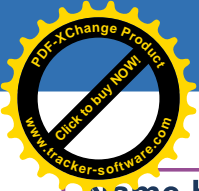
Name board with replacement card slot

102

Polystyrene (PS)



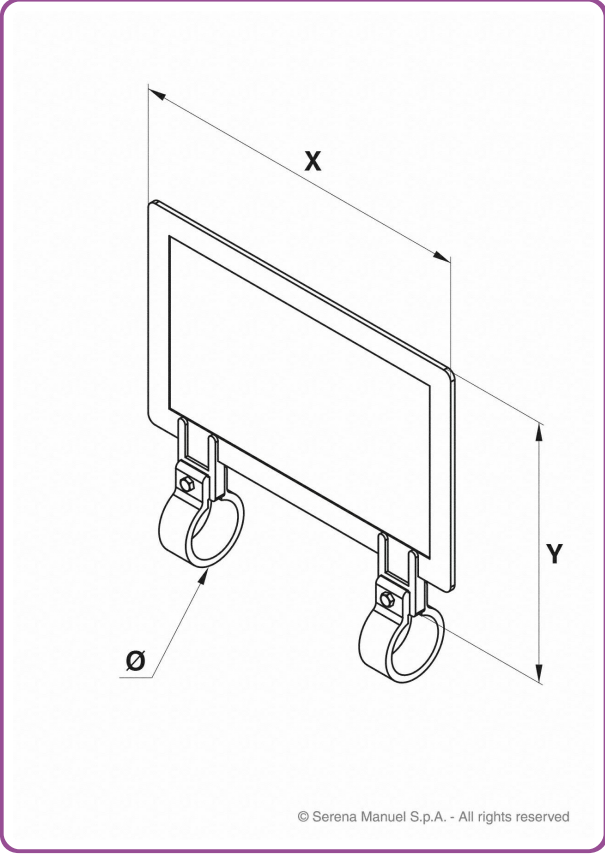
CODE	DIMENSIONS		CLIPS		BOLTS AND NUTS	MINIMUM QUANTITY
	X	Y	Ø		n° 2	n°
91020013	290	x 230	3/4"	(27)	5x30	1
91020023	290	x 230	1"	(33)	5x30	1
91020033	290	x 230	1"1/4	(42)	5x30	1
91020043	290	x 230	1"1/2	(48)	5x30	1



Name board-plain

103

Polystyrene (PS)

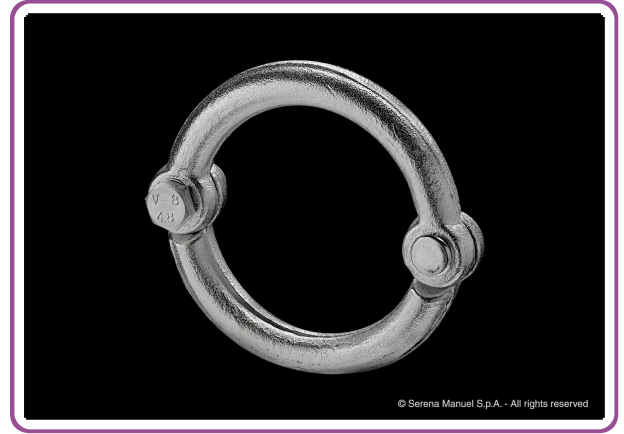
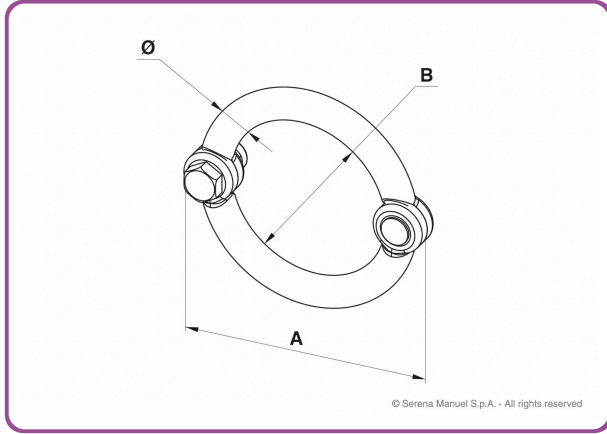


CODE	DIMENSIONS		CLIPS		BOLTS AND NUTS	MINIMUM QUANTITY
	X	Y	Ø		n° 2	n°
91030013	260	x 195	3/4"	(27)	5x30	1
91030023	260	x 195	1"	(33)	5x30	1
91030043	260	x 195	1"1/4	(42)	5x30	1
91030053	260	x 195	1"1/2	(48)	5x30	1

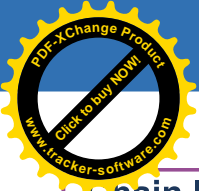


Opening ring

Zinc electroplated

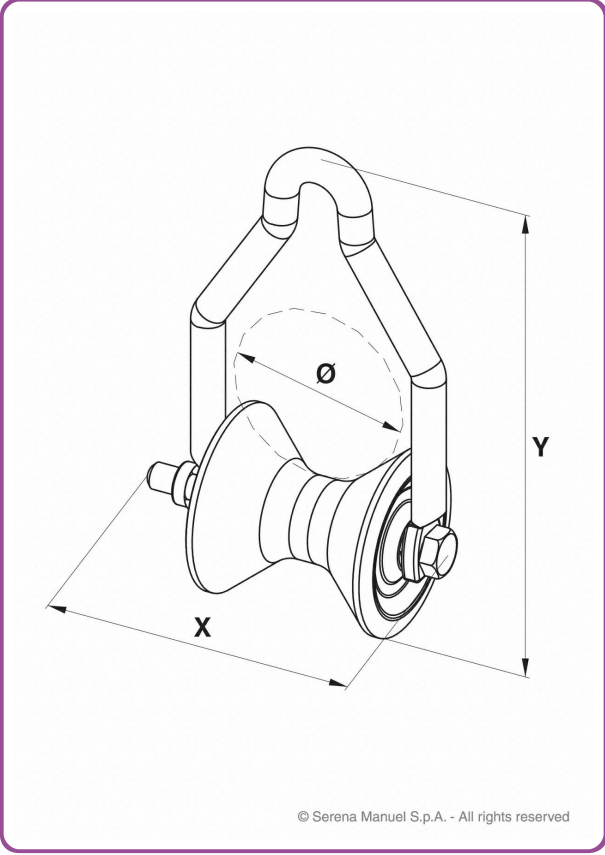


CODE	DIMENSIONS		SECTION	BOLT AND NUT	MINIMUM QUANTITY
	A	B	Ø	n° 1	n°
91040017	95	65	12	8x20	10



Chain link with nylon roller

Nylon roller

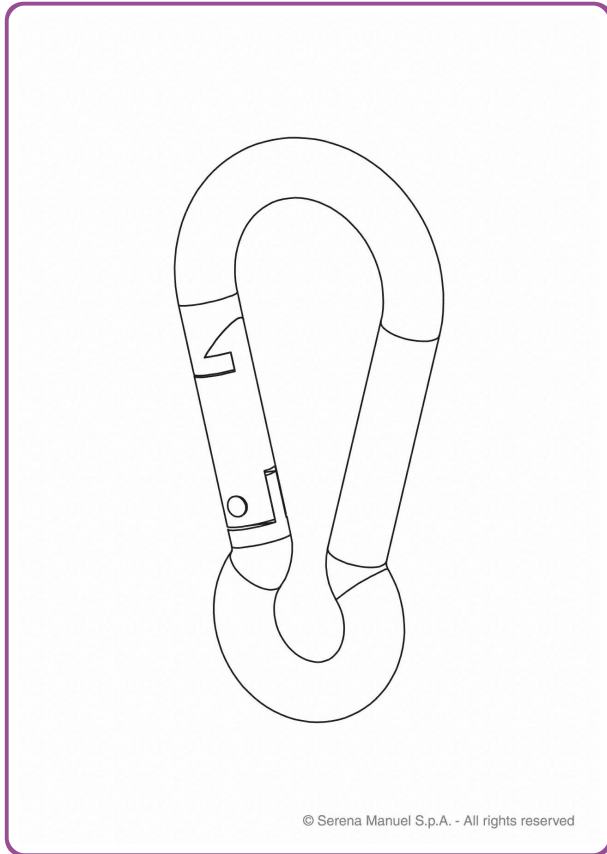


CODE	DIAMETER		BOLT AND NUT	MINIMUM QUANTITY	DIMENSIONS	
	\emptyset				X	Y
91050013	1"1/4 ÷ 2"	(42 ÷ 60)	n° 1 8x90	n° 1	95	150

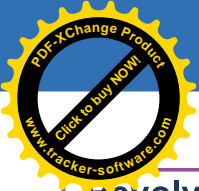


Spring catch

Zinc electroplated

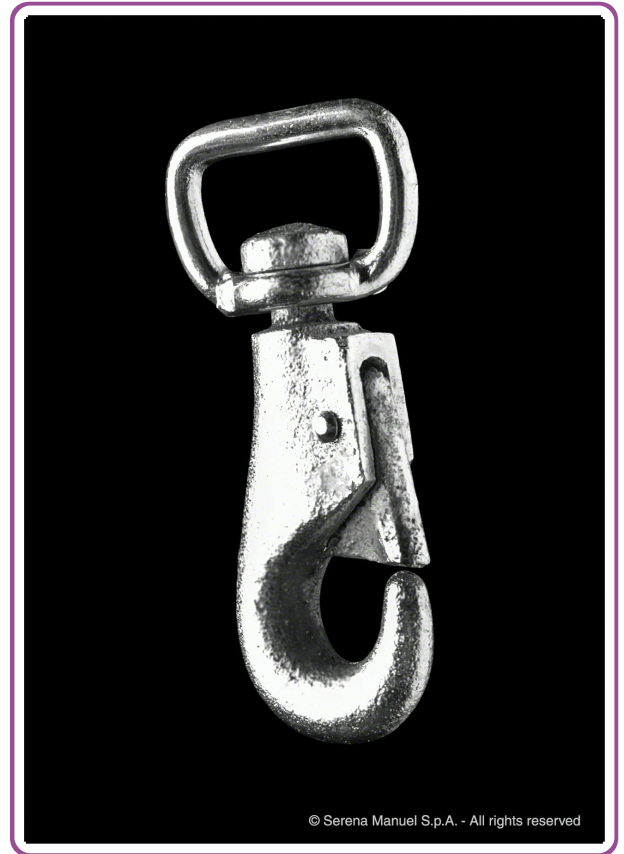
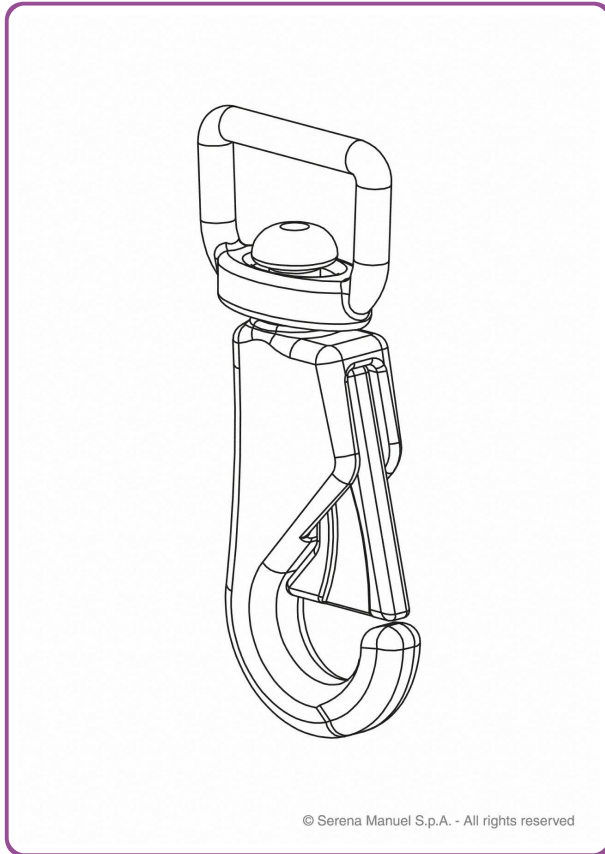


CODE	SECTION	MINIMUM QUANTITY
91170016	Ø 10	n° 1

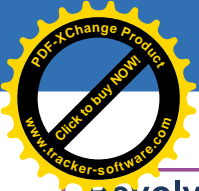


Revolving spring catch

Zinc electroplated

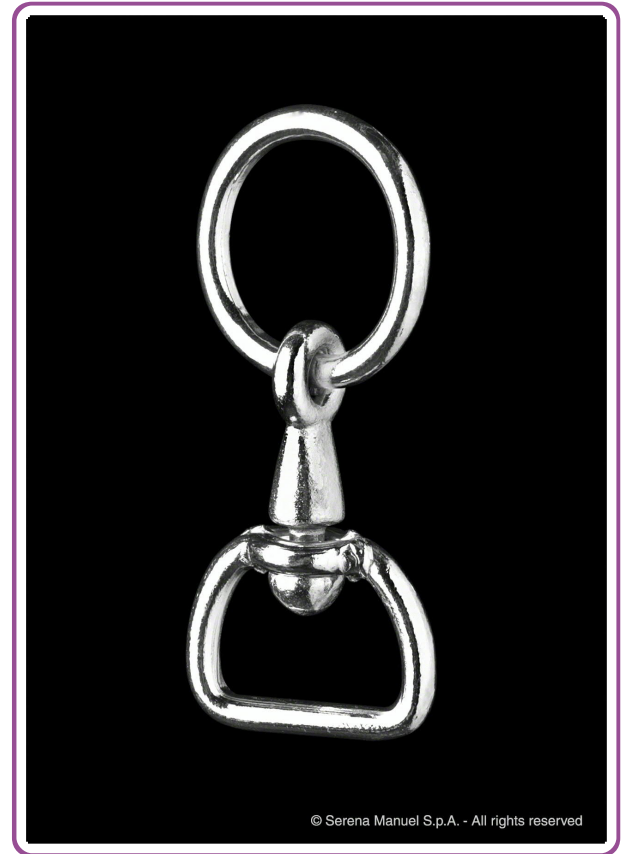
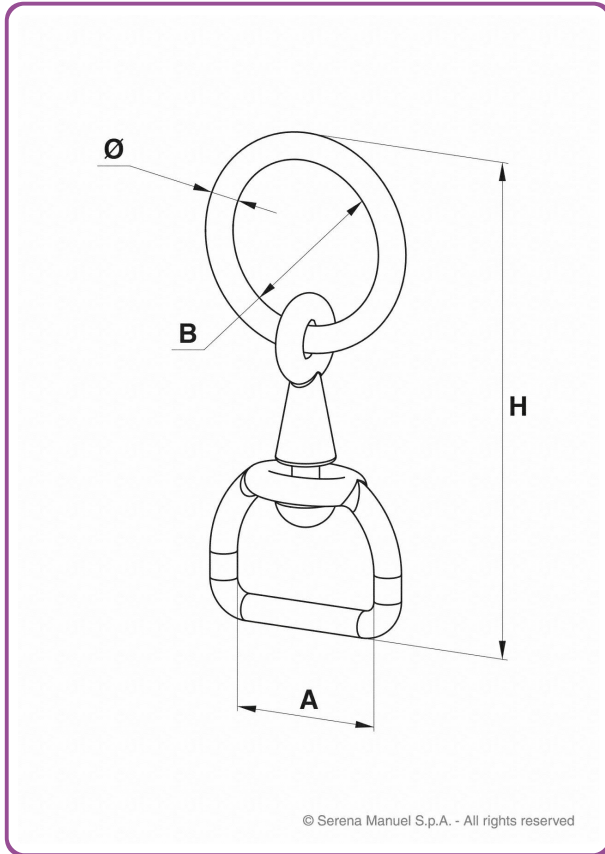


CODE	MINIMUM QUANTITY
91180016	n° 1

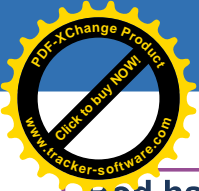


Revolving ring

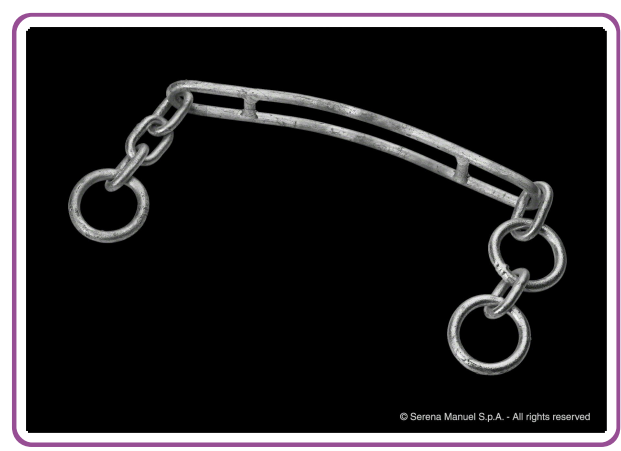
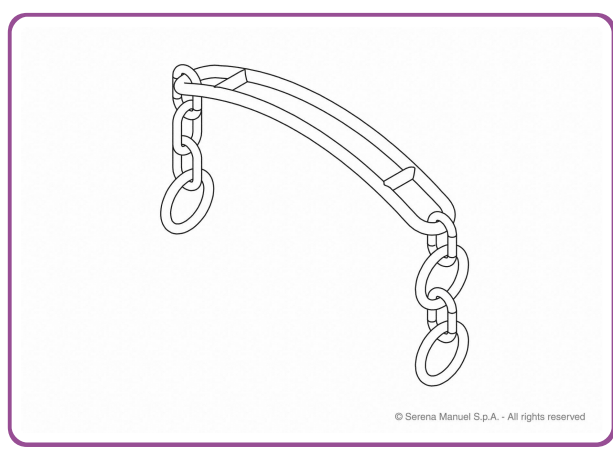
Zinc electroplated



CODE	MINIMUM QUANTITY	DIMENSIONS			
		A	H	B	\varnothing
91200016	n° 1	47	140	50	8



Rod half collar for chain



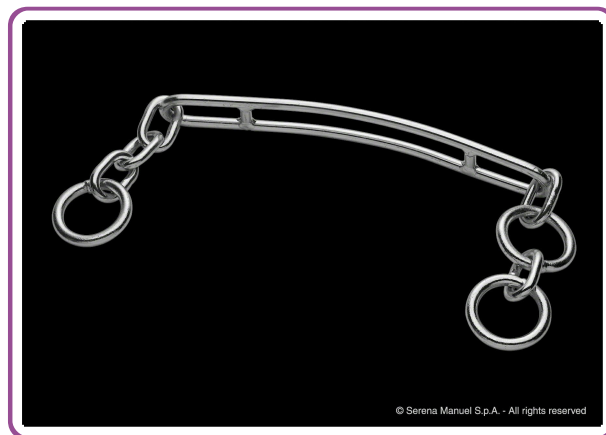
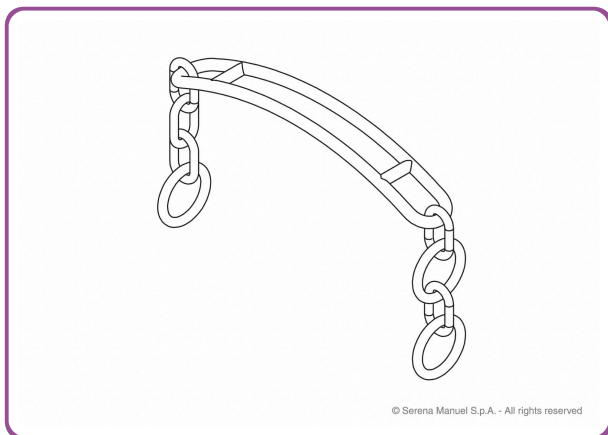
CODE	SECTION	MINIMUM QUANTITY
91220012	Ø 10	n° 1



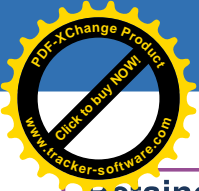
Rod half collar for nylon strap

122

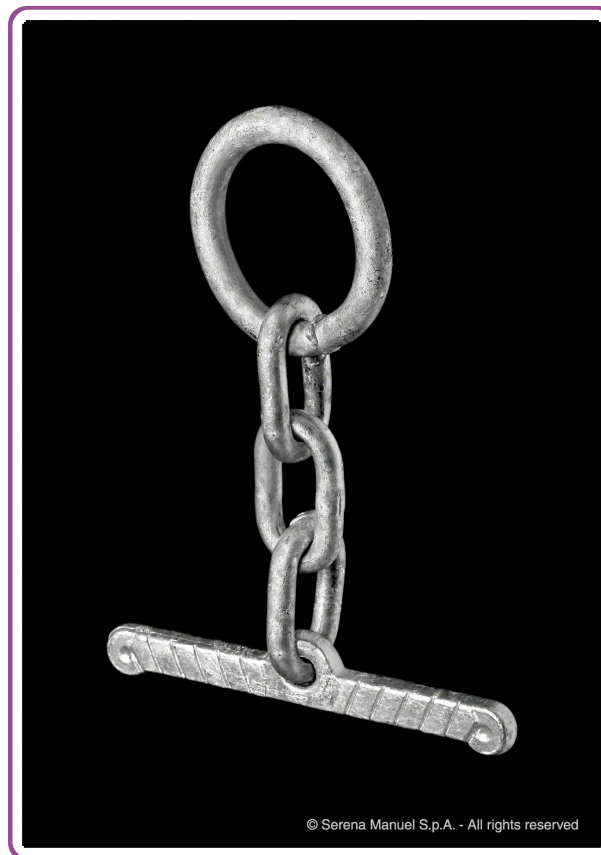
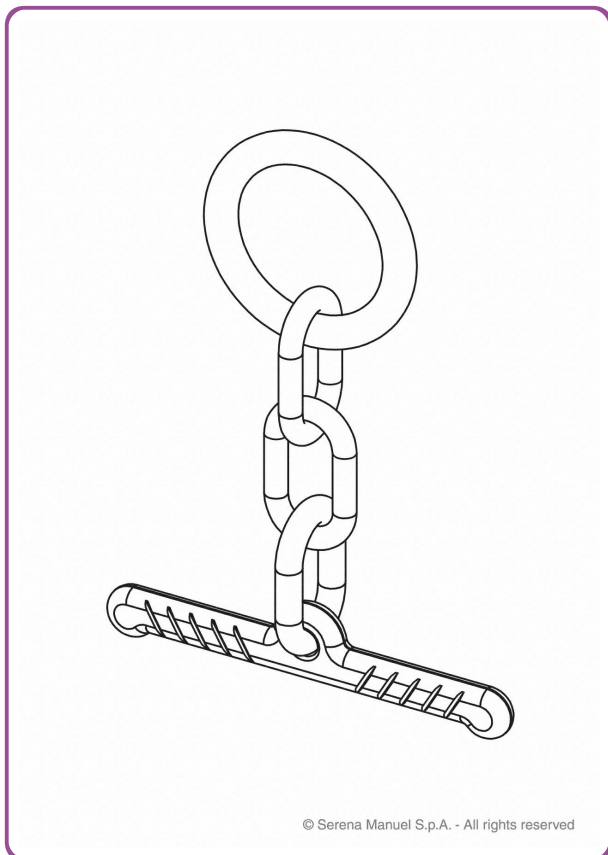
Zinc electroplated



CODE	SECTION	MINIMUM QUANTITY
91220016	10 Ø	1 n°



Retainer for chain

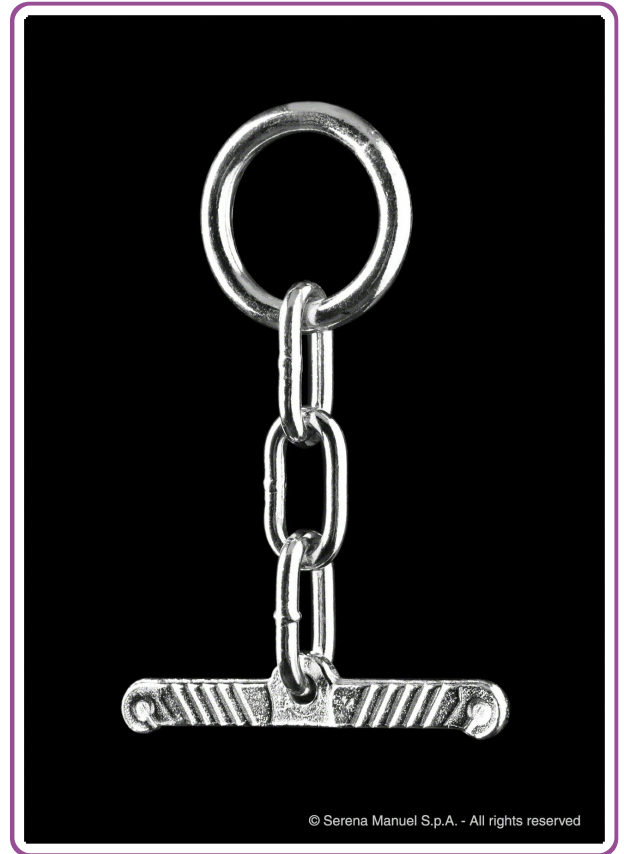
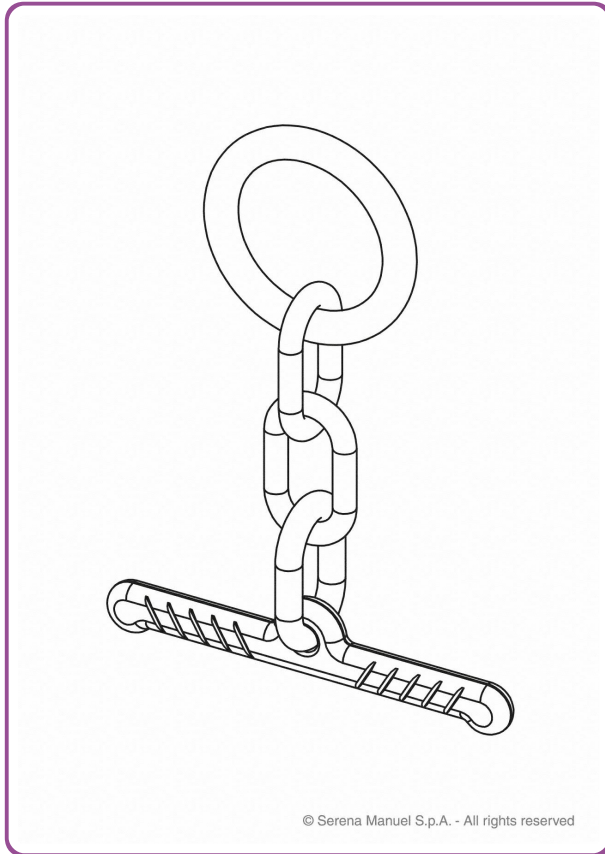


CODE	MINIMUM QUANTITY
91230012	n° 1

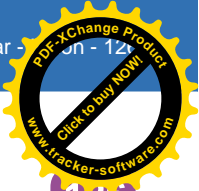
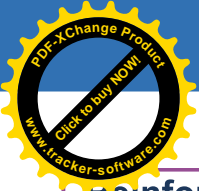


Retainer for nylon strap

Zinc electroplated

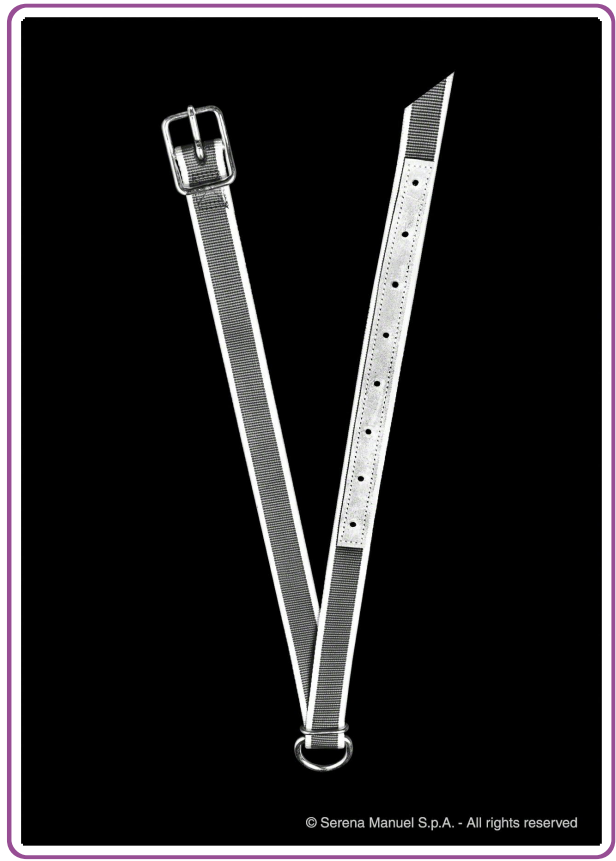
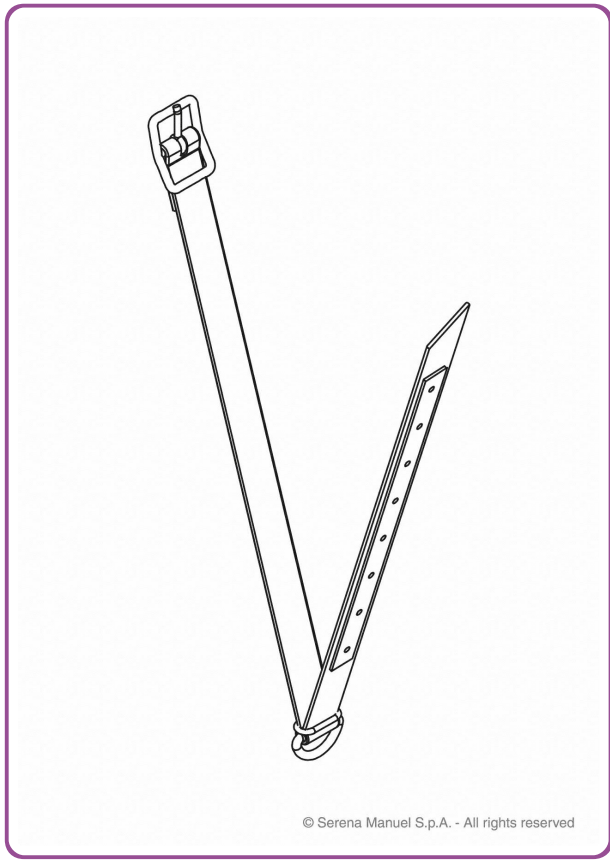


CODE	MINIMUM QUANTITY
91230016	n° 1

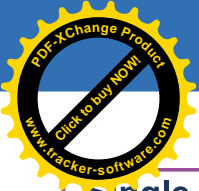


Reinforced nylon collar

Nylon

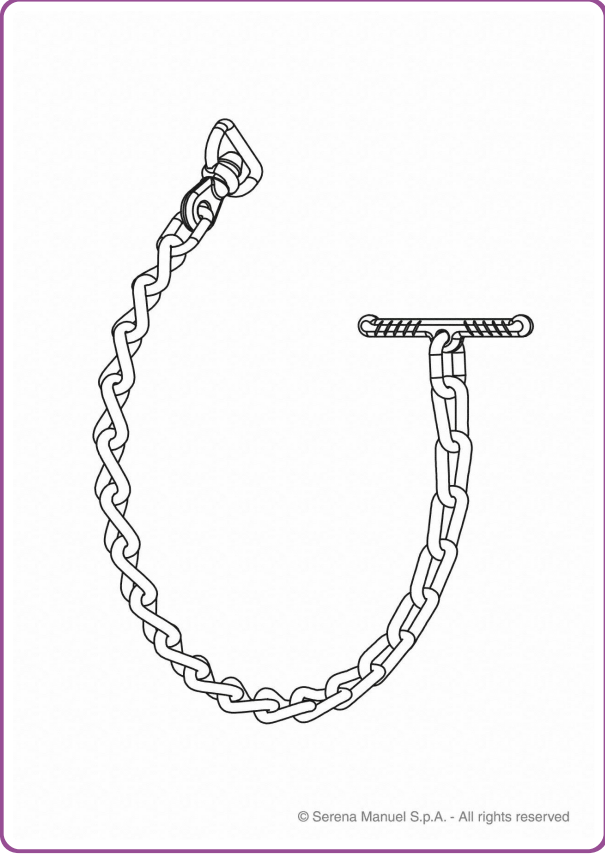


CODE	DIMENSIONS	MINIMUM QUANTITY
		n°
91260022	650 x 40	10
91260032	1.000 x 40	10
91260012	1.300 x 40	10

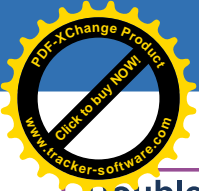


Single chain for nylon collar

Zinc electroplated

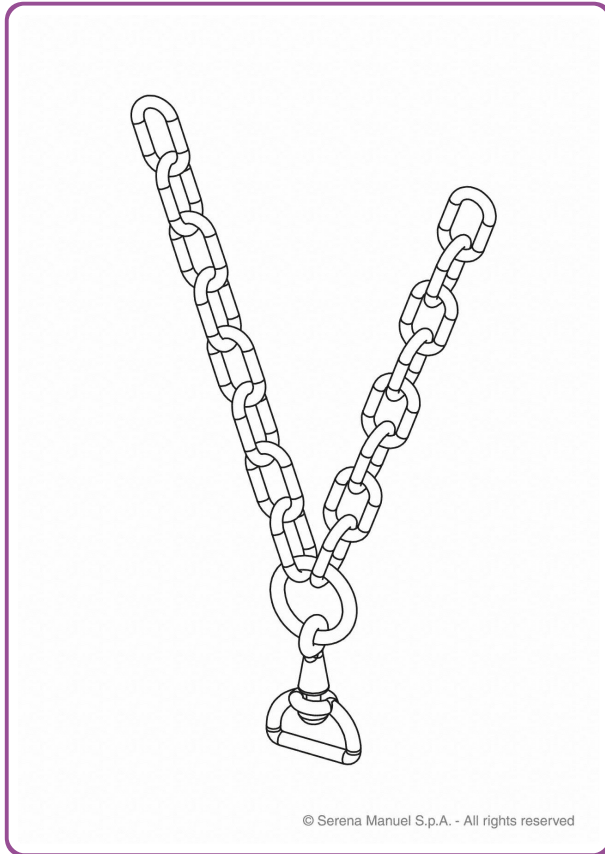


CODE	ARM LENGHT	MINIMUM QUANTITY
91270016	680	n° 10



Double chain for nylon collar

Zinc electroplated

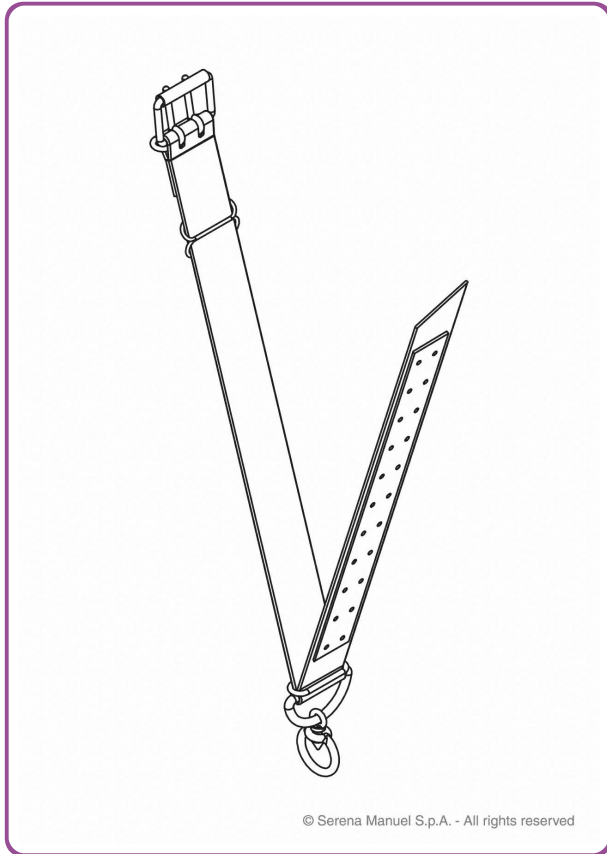


CODE	ARMS LENGHT	MINIMUM QUANTITY
91280016	420	n° 5



Nylon bull collar strap

Nylon

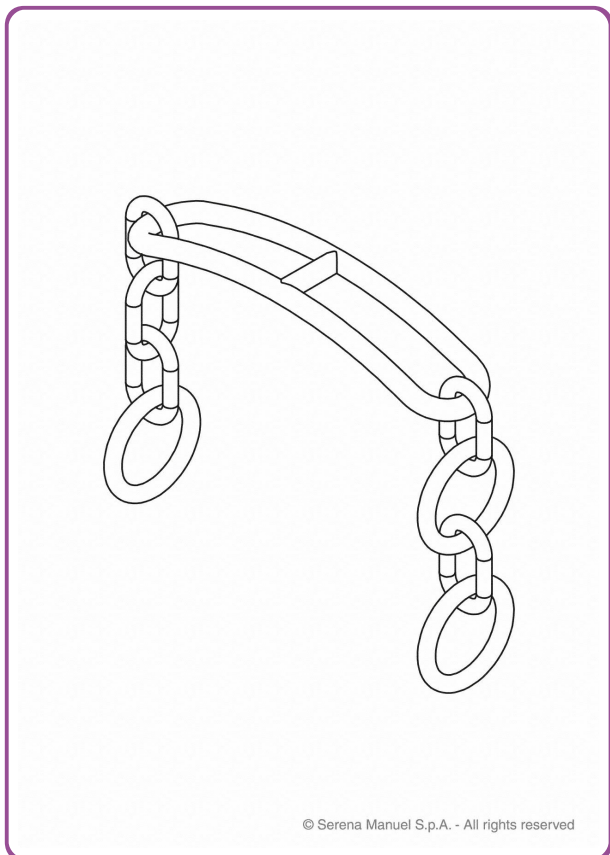


CODE	DIMENSIONS	MINIMUM QUANTITY
91310012	1.700 x 70	n° 1



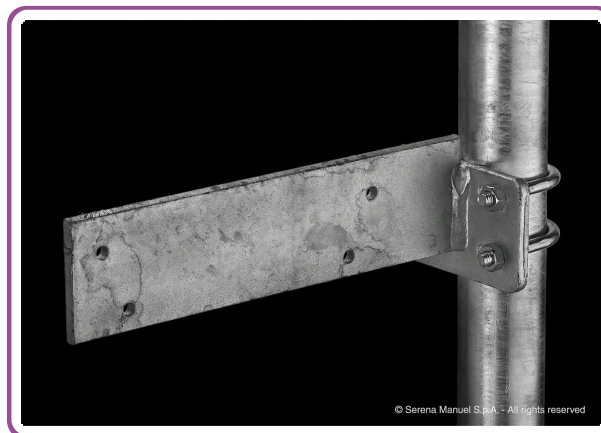
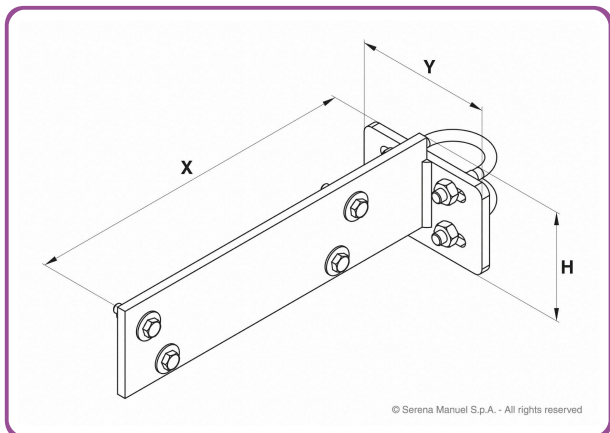
Rod half collar for calf

135

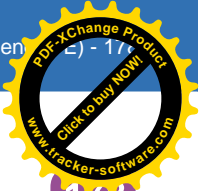


CODE	SECTION	MINIMUM QUANTITY
91350012	Ø 10	n° 1

Plastic manger fixing bracket

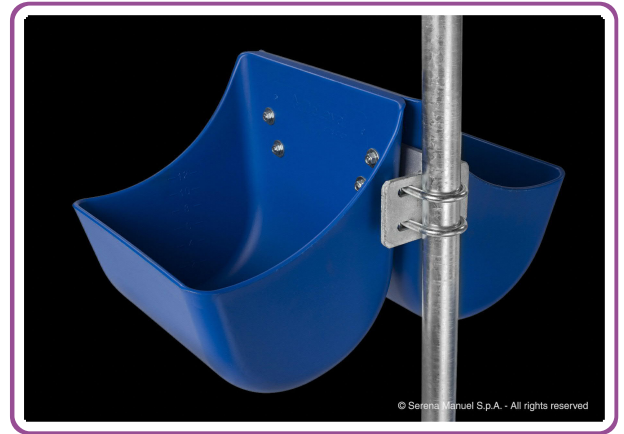
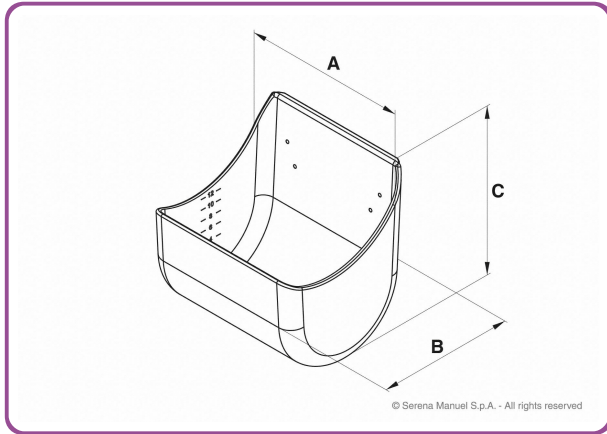


CODE	DIAMETER		U-BOLTS WITH NUTS	BOLTS AND NUTS	WASHERS	MINIMUM QUANTITY	DIMENSIONS		
		(mm)	n° 2	n° 4	n° 8	n°	X	Y	H
91760023	1"1/4	(42)	M10	8x35	24x9x2	1	325	125	100
91760013	1"1/2	(48)	M10	8x35	24x9x2	1	325	125	100
91760033	2"	(60)	M10	8x35	24x9x2	1	325	125	100



Plastic manger

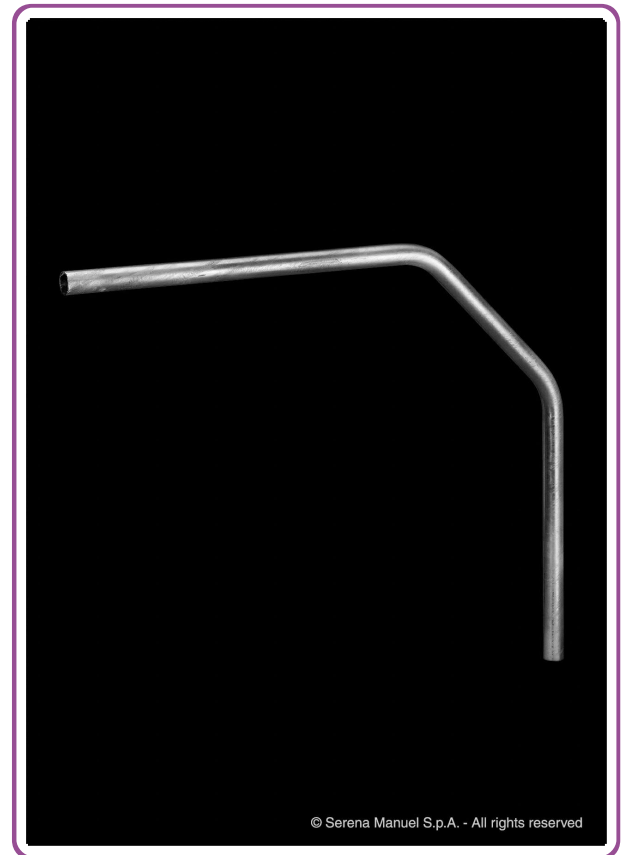
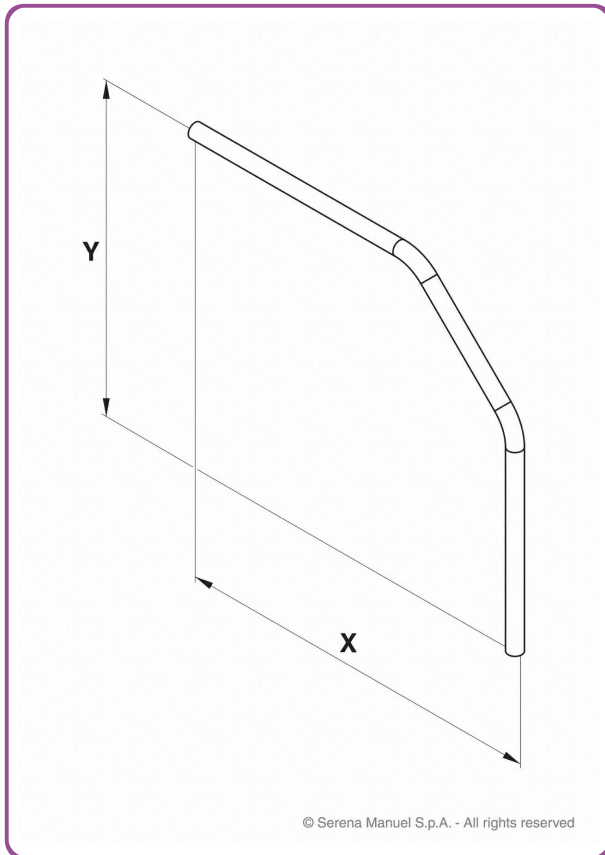
Polyethylene (PE)



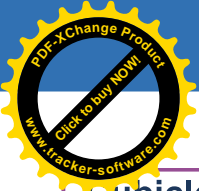
CODE	CAPACITY	DIMENSIONS			MINIMUM QUANTITY
		A	B	C	
91780012	12	340	x 320	x 345	n° 1



Cubicle dividing rail

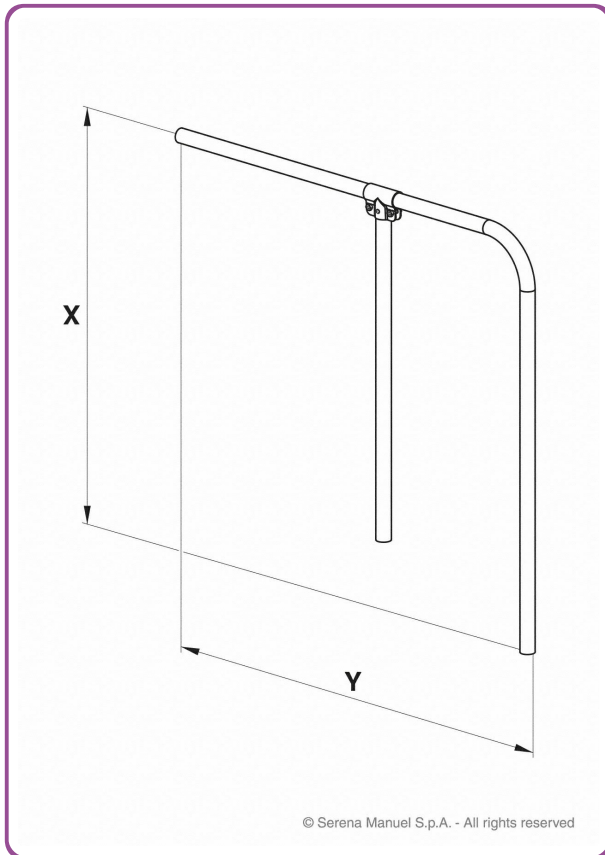


CODE	DIAMETER	MINIMUM QUANTITY	DIMENSIONS	
			X	Y
91810012	1"1/4 (42)	n° 1	1.200	1.100
91810022	1"1/2 (48)	1	1.200	1.100
91810032	2" (60)	1	1.200	1.100

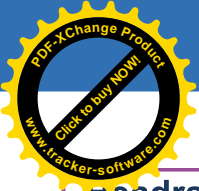


Cubicle termination assembly

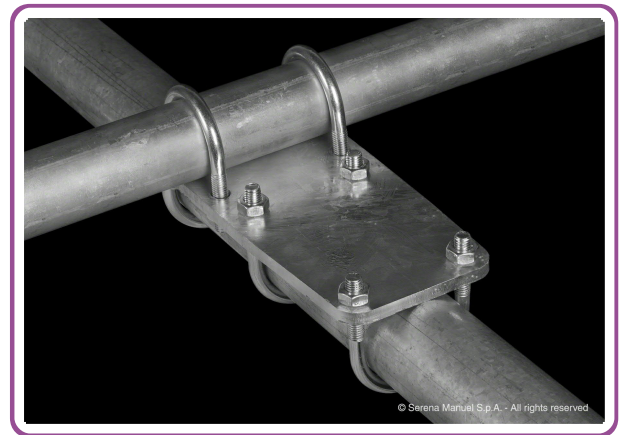
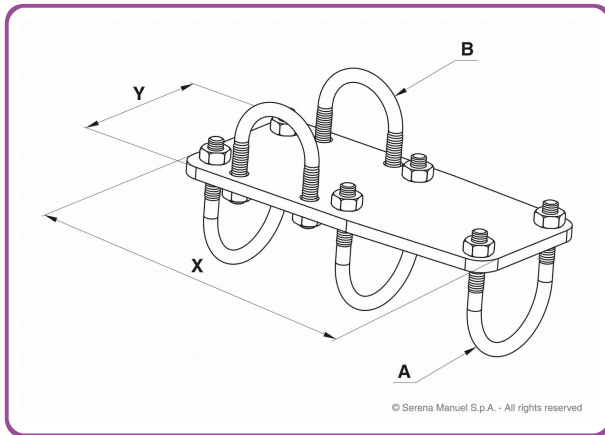
182



CODE	DIAMETER		TEE CLAMP 1 PART		BOLTS AND NUTS	MINIMUM QUANTITY	DIMENSIONS	
			n° 1				n°	X
91820013	1"1/4	(42)	1"1/4 x 1"1/4	(42 x 42)	10x30	1	1.350	1.250
91820023	1"1/2	(48)	1"1/2 x 1"1/2	(48 x 48)	10x30	1	1.350	1.250



Headrail bracket 5 "U" bolt



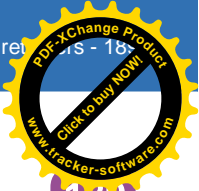
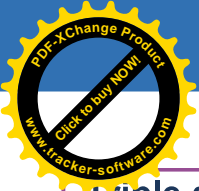
CODE	DIAMETERS				MINIMUM QUANTITY	DIMENSIONS	
	A		B			X	Y
91840023	2"	(60)	1"1/4	(42)	1	240	110
91840033	2"	(60)	1"1/2	(48)	1	246	110

America" chain

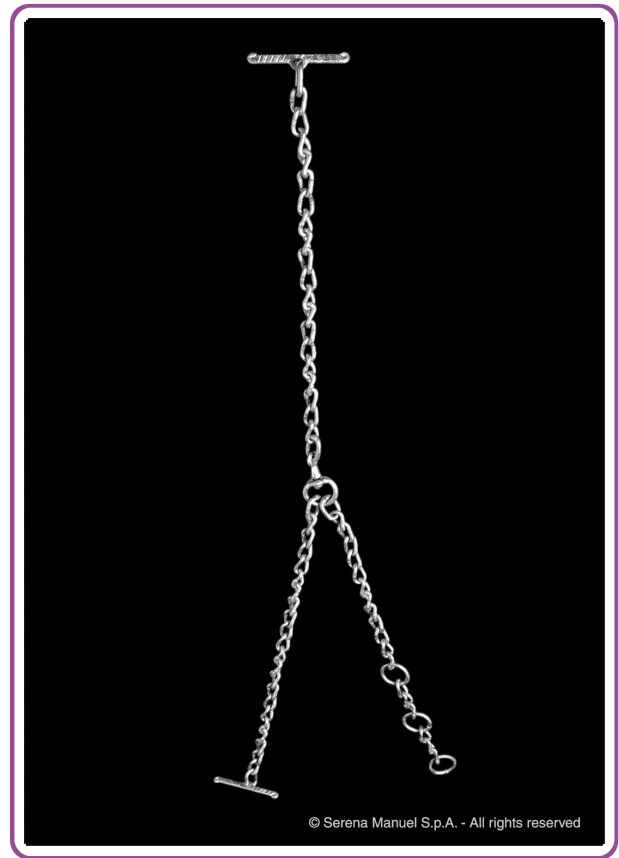
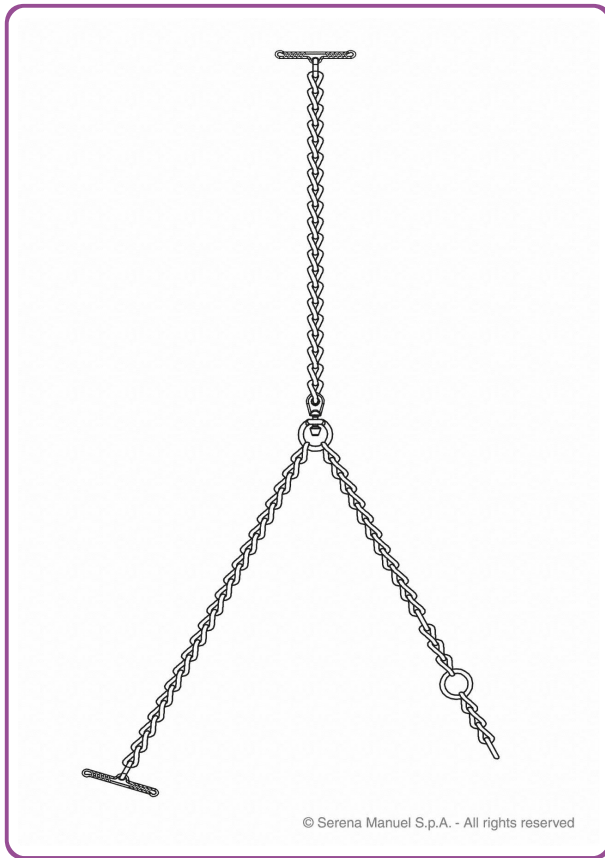
188



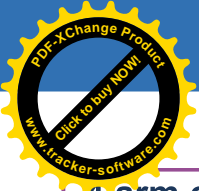
CODE	LENGTH	SECTION	MINIMUM QUANTITY
		Ø	n°
91880052	1.550	7	5
91880062	1.550	8	5
91880072	1.650	7	5
91880082	1.650	8	5



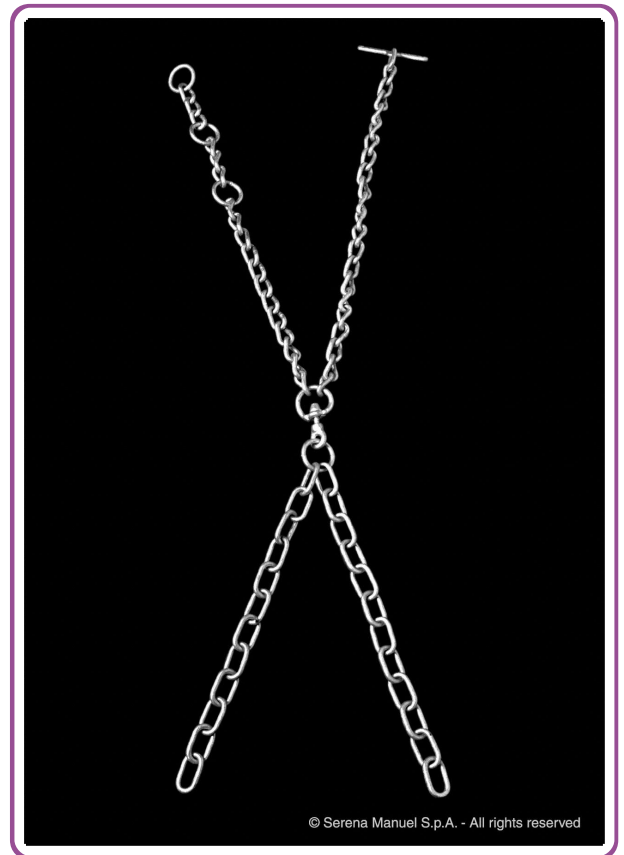
Triple arm chain with 2 retainers



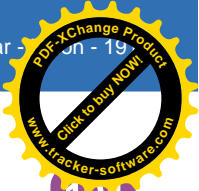
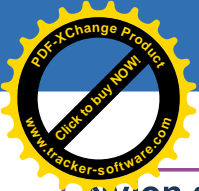
CODE	ARMS LENGTH	SECTION	MINIMUM QUANTITY
		Ø	n°
91890012	650	7	5
91890022	650	8	5



4 arm chain with a single retainer

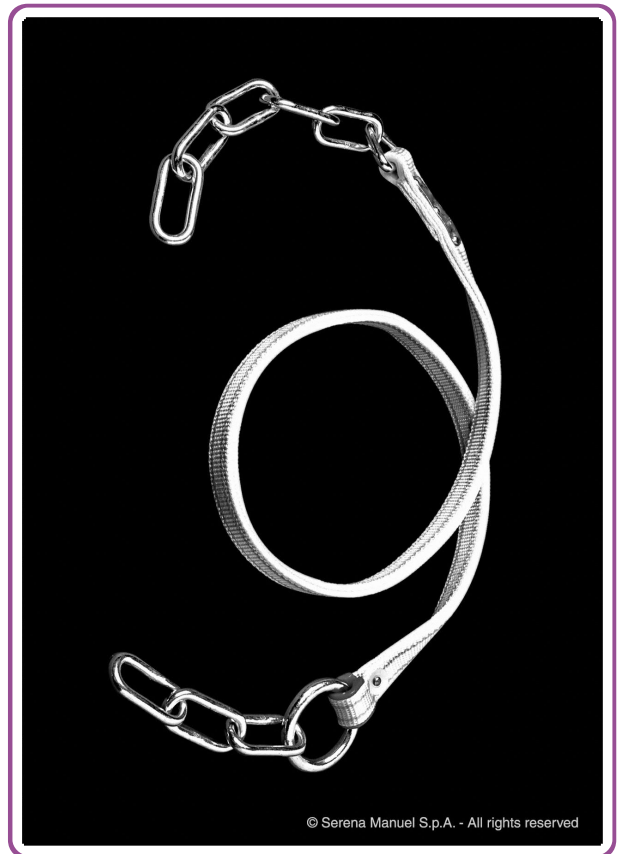
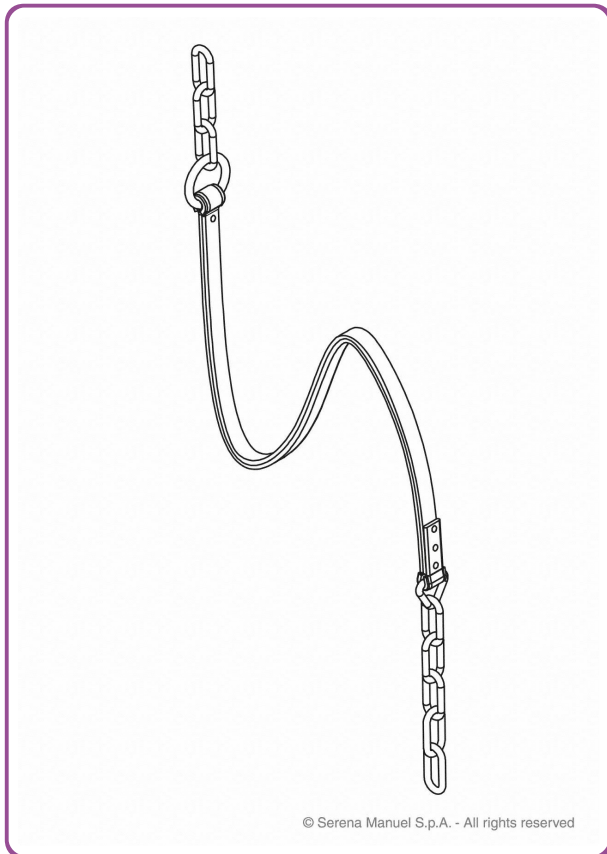


CODE	ARMS LENGTH	SECTION	MINIMUM QUANTITY
		Ø	n°
91900012	650 / 650 / 500 / 500	7	5
91900022	650 / 650 / 500 / 500	8	5

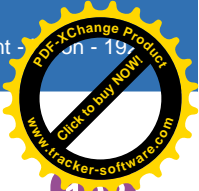
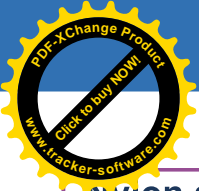


Nylon strap with bush for protection against wear and tear

Nylon

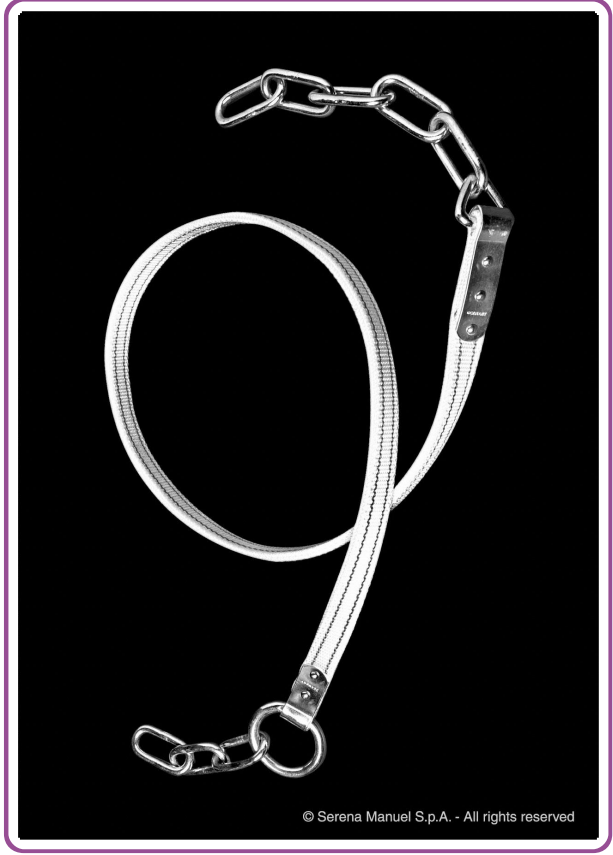
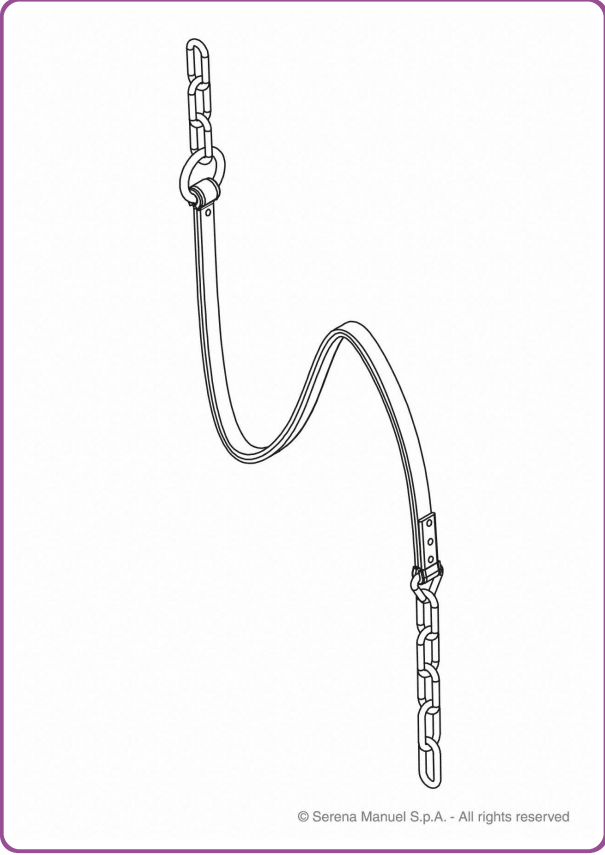


CODE	DIMENSIONS	MINIMUM QUANTITY
91910012	1.700 x 25	n° 10

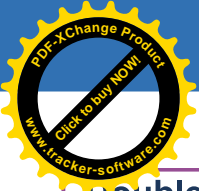


Nylon strap with metal reinforcement

Nylon

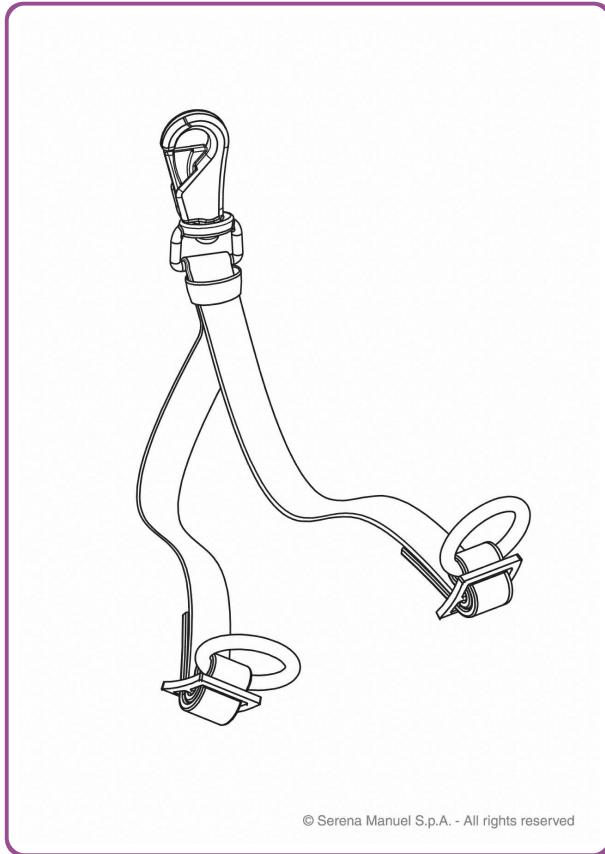


CODE	DIMENSIONS	MINIMUM QUANTITY
91920012	1.800 x 25	n° 10

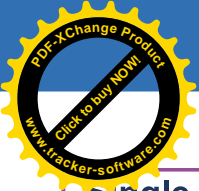


Double strap with spring catch

Nylon

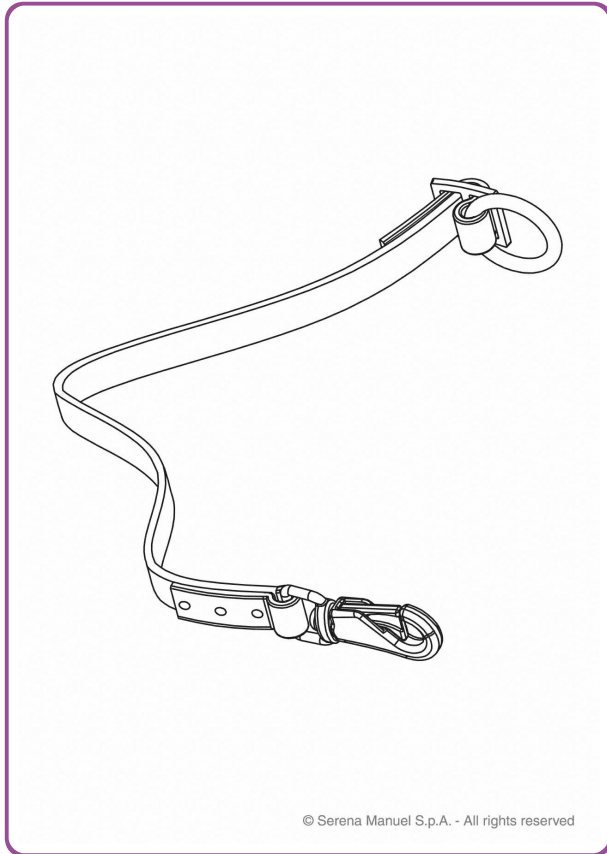


CODE	DIMENSIONS	MINIMUM QUANTITY
91950012	700 x 40	n° 10



Single strap with spring catch

Nylon



CODE	DIMENSIONS	MINIMUM QUANTITY
91960012	800 x 40	n° 10