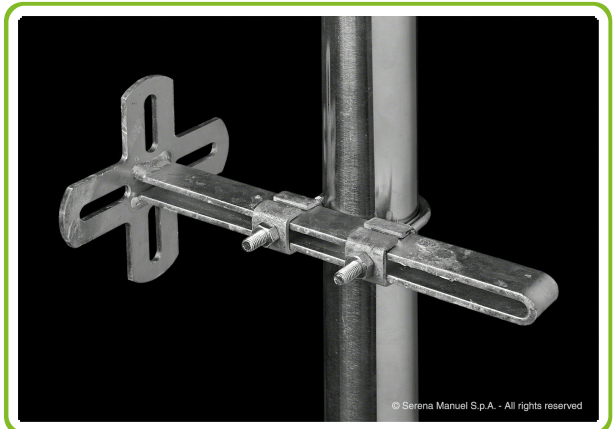
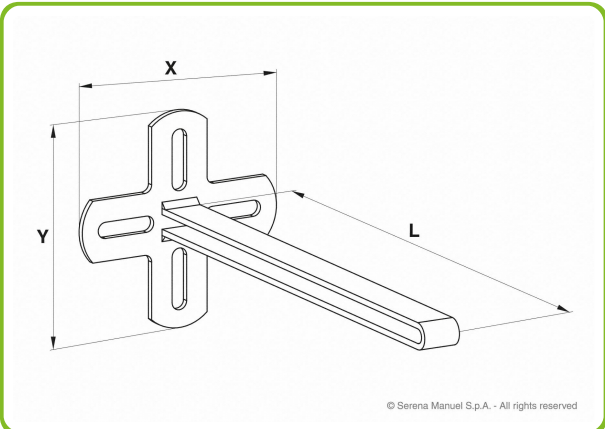




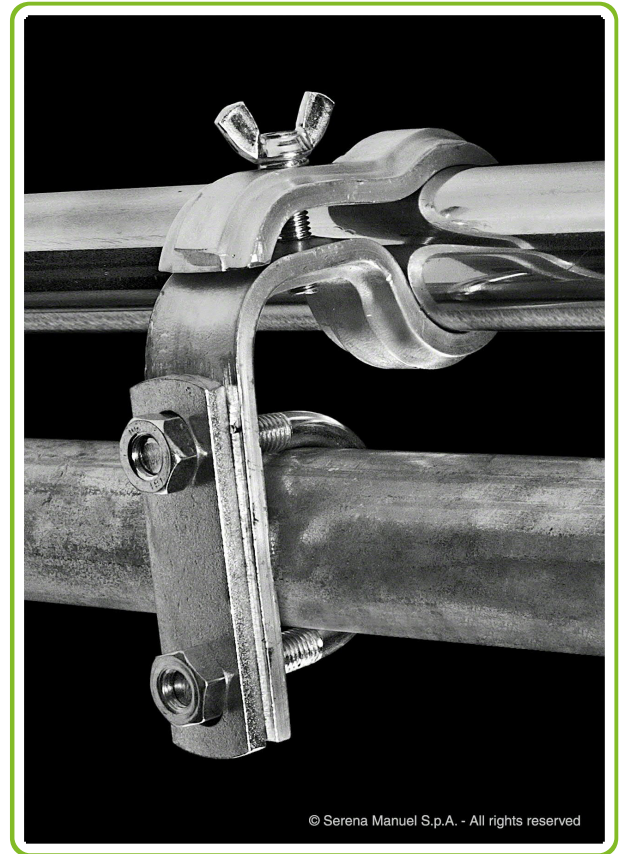
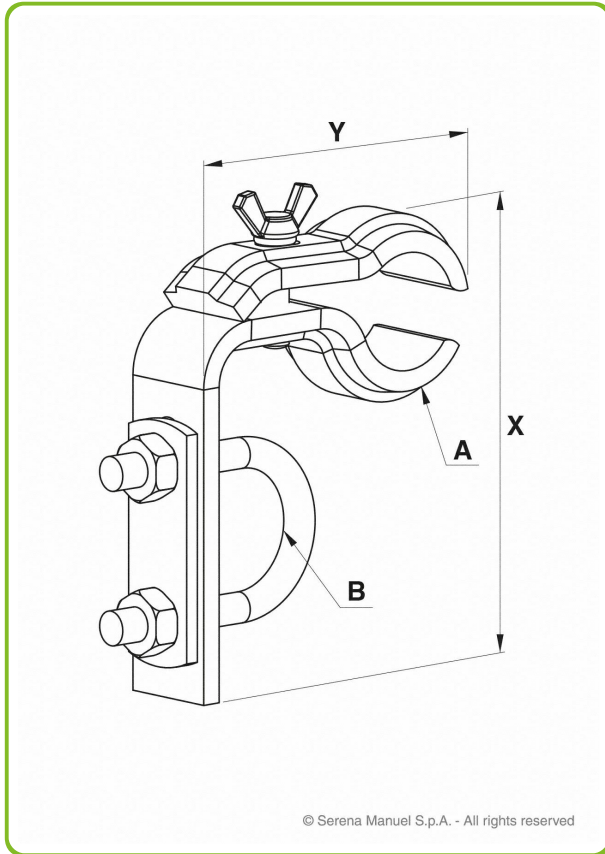
Wall mounted sliding support bracket for horizontal or vertical tubes



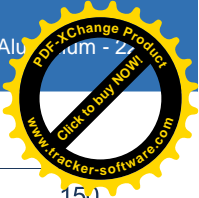
| CODE | LENGTH | MINIMUM QUANTITY | DIMENSIONS | |
|----------|--------|------------------|------------|-----|
| | L | | n° | X |
| 90100012 | 100 | 1 | 140 | 140 |
| 90100022 | 150 | 1 | 140 | 140 |
| 90100032 | 200 | 1 | 140 | 140 |
| 90100042 | 250 | 1 | 140 | 140 |
| 90100052 | 300 | 1 | 140 | 140 |
| 90100062 | 400 | 1 | 140 | 140 |
| 90100072 | 500 | 1 | 140 | 140 |
| 90100082 | 600 | 1 | 140 | 140 |
| 90100092 | 700 | 1 | 140 | 140 |
| 90100102 | 750 | 1 | 140 | 140 |

vacuum line support bracket

Aluminium



| CODE | DIAMETERS | | | | WING SCREW | MINIMUM QUANTITY | DIMENSIONS | |
|----------|-----------|---------|----------|-------|------------|------------------|------------|-----|
| | A | B | A | B | | | X | Y |
| 90220013 | 34 | x 1" | (34 | x 33) | 8x30 | 50 | 100 | 130 |
| 90220093 | 34 | x 1"1/4 | (34 | x 42) | 8x30 | 50 | 100 | 130 |
| 90220023 | 34 | x 1"1/2 | (34 | x 48) | 8x30 | 50 | 100 | 130 |
| 90220033 | 38 ÷ 40 | x 1" | (38 ÷ 40 | x 33) | 8x30 | 50 | 100 | 140 |
| 90220103 | 38 ÷ 40 | x 1"1/4 | (38 ÷ 40 | x 42) | 8x30 | 50 | 100 | 140 |
| 90220043 | 38 ÷ 40 | x 1"1/2 | (38 ÷ 40 | x 48) | 8x30 | 50 | 100 | 140 |
| 90220053 | 50 ÷ 53 | x 1" | (50 ÷ 53 | x 33) | 8x30 | 50 | 120 | 140 |
| 90220083 | 50 ÷ 53 | x 1"1/4 | (50 ÷ 53 | x 42) | 8x30 | 50 | 120 | 140 |
| 90220063 | 50 ÷ 53 | x 1"1/2 | (50 ÷ 53 | x 48) | 8x30 | 50 | 120 | 140 |



90220073

70 x 1"1/2

(70 x 48)

8x30

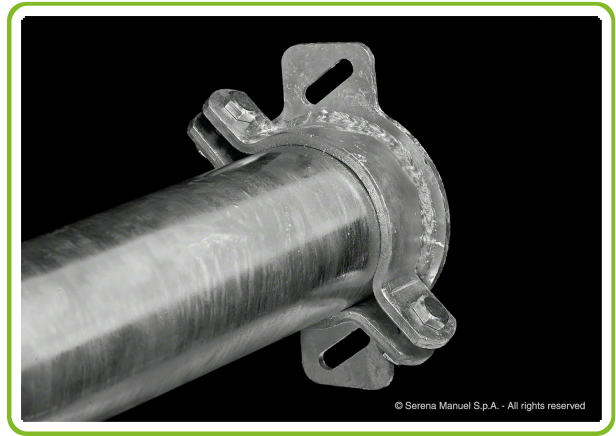
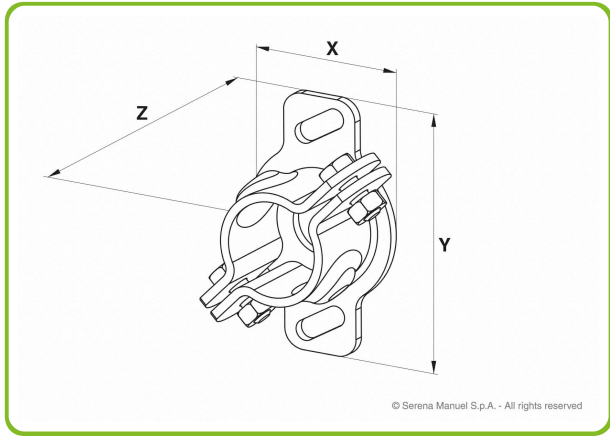
25

145

150



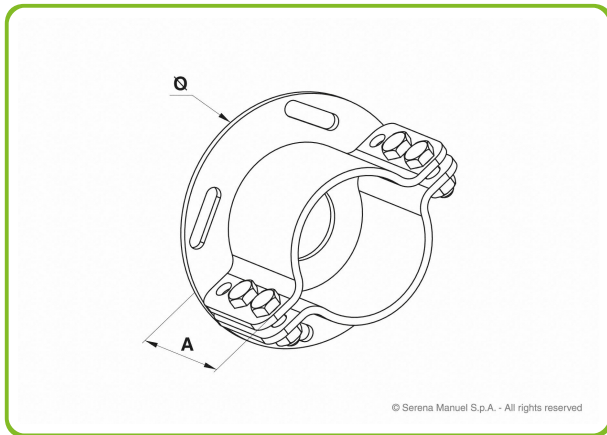
Z bolt open wall mounted support bracket



| CODE | DIAMETER | BOLTS AND NUTS | MINIMUM QUANTITY | DIMENSIONS | | |
|----------|------------|----------------|------------------|------------|-----|----|
| | | | | X | Y | Z |
| 90480013 | 1" (33) | n° 2 10x25 | n° 1 | 80 | 130 | 40 |
| 90480023 | 1"1/4 (42) | n° 2 10x25 | n° 1 | 80 | 130 | 50 |
| 90480033 | 1"1/2 (48) | n° 2 10x25 | n° 1 | 80 | 130 | 50 |
| 90480043 | 2" (60) | n° 2 10x25 | n° 1 | 80 | 130 | 50 |



4 bolt open wall mounted support bracket

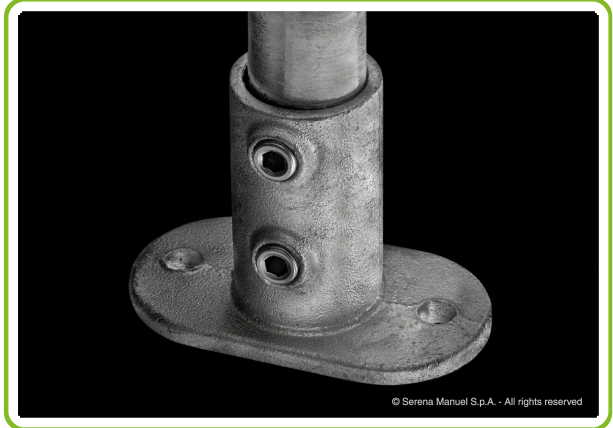
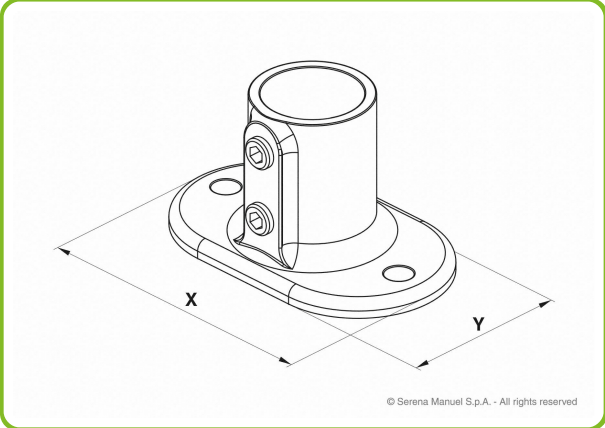


| CODE | DIAMETER | | BOLTS AND NUTS | MINIMUM QUANTITY | DIMENSIONS | |
|----------|----------|------|----------------|------------------|------------|----|
| | | | n° 4 | n° | Ø | A |
| 90490043 | 1"1/2 | (48) | 10x30 | 1 | 160 | 85 |
| 90490013 | 2" | (60) | 10x25 | 1 | 160 | 85 |
| 90490023 | 2"1/2 | (76) | 10x25 | 1 | 160 | 85 |
| 90490033 | 3" | (89) | 10x30 | 1 | 160 | 85 |



Base railing flange

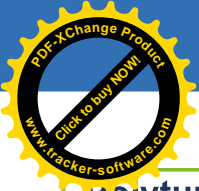
Spheroidal cast iron



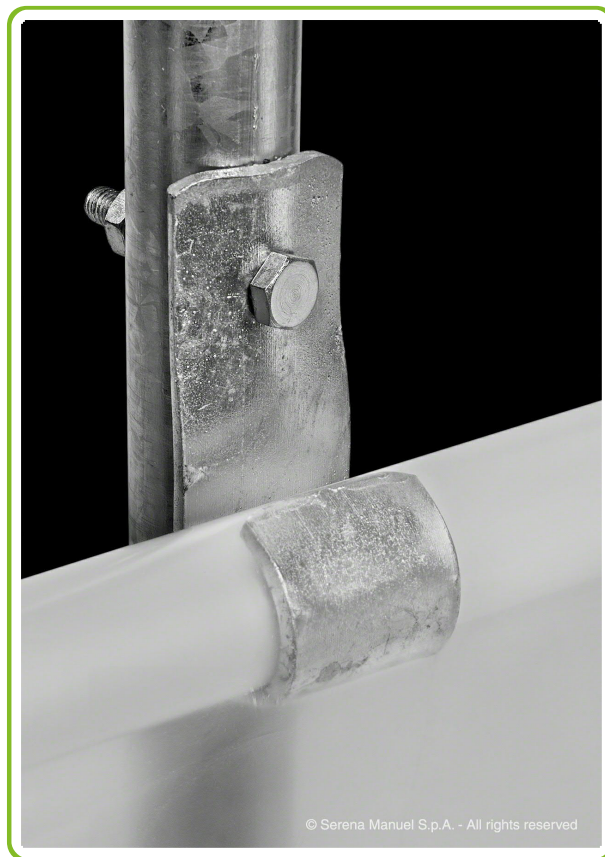
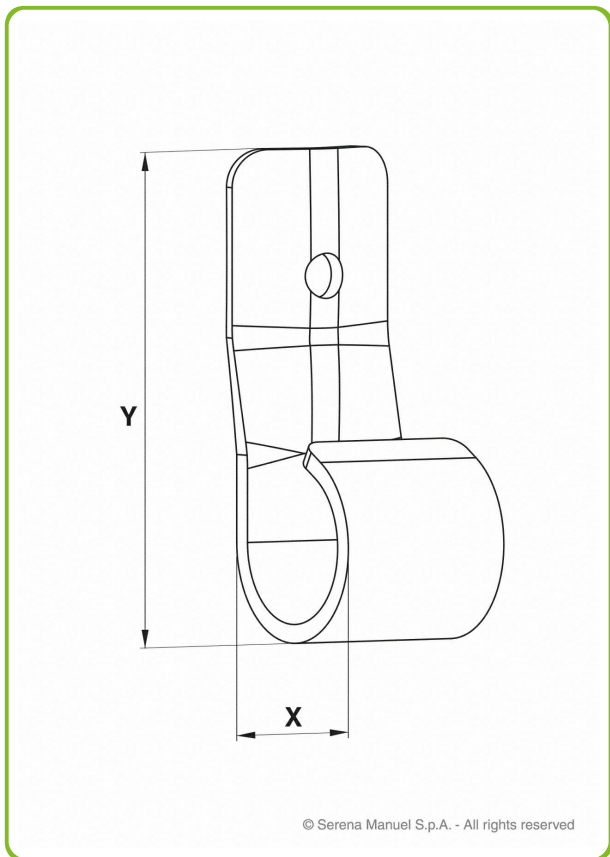
© Serena Manuel S.p.A. - All rights reserved

© Serena Manuel S.p.A. - All rights reserved

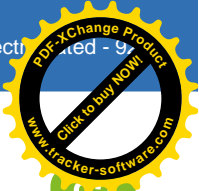
| CODE | DIAMETER | MINIMUM QUANTITY | | DIMENSIONS | |
|----------|------------|------------------|--|------------|-----|
| | | n° | | X | Y |
| 90640063 | 1" (33) | 1 | | 130 | 80 |
| 90640013 | 1"1/4 (42) | 1 | | 140 | 80 |
| 90640023 | 1"1/2 (48) | 1 | | 152 | 90 |
| 90640053 | 2" (60) | 1 | | 166 | 100 |



Polytunnel plastic covering roller support bracket

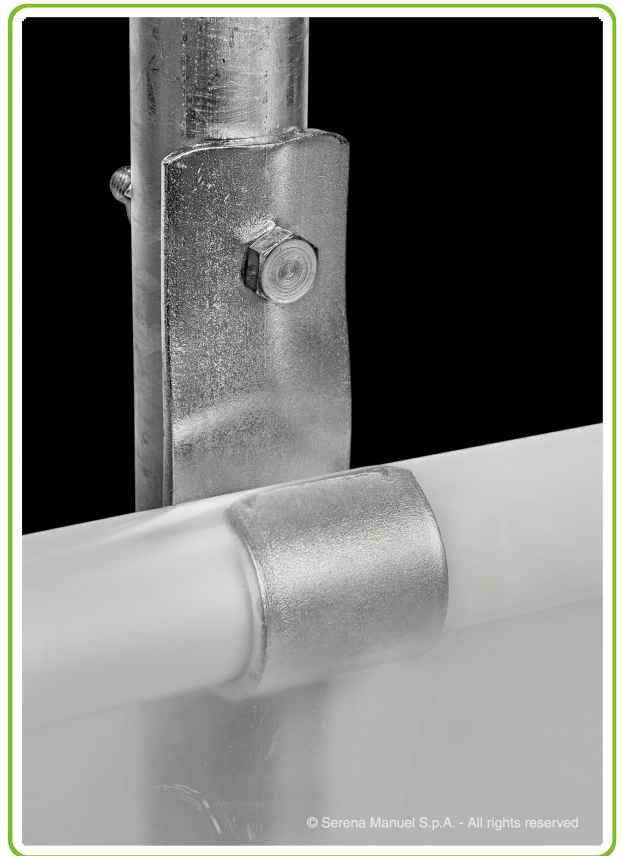
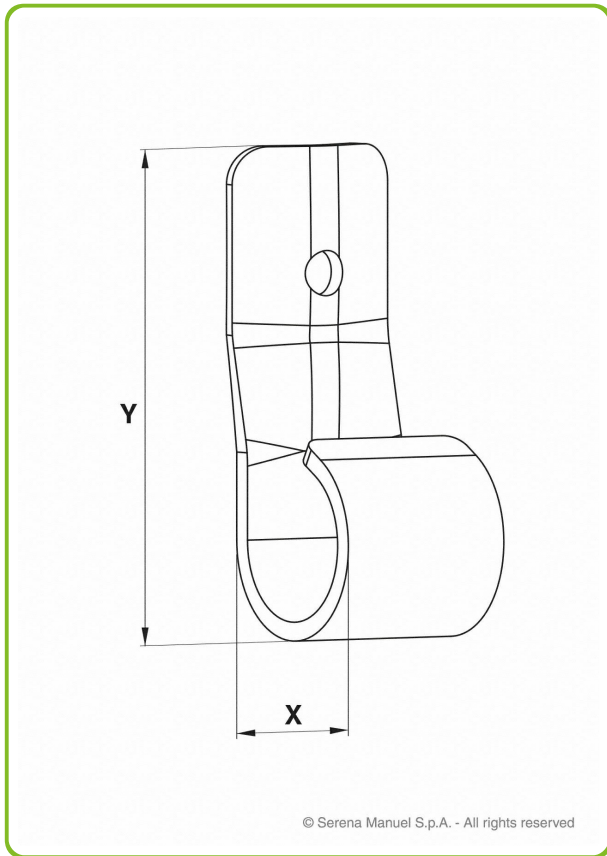


| CODE | DIAMETER | MINIMUM QUANTITY | DIMENSIONS | |
|----------|------------|------------------|------------|-----|
| | | | X | Y |
| 90920012 | 1"1/4 (42) | n° 1 | 50 | 130 |

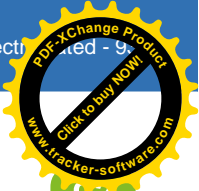


Polytunnel plastic covering roller support bracket

Zinc electroplated

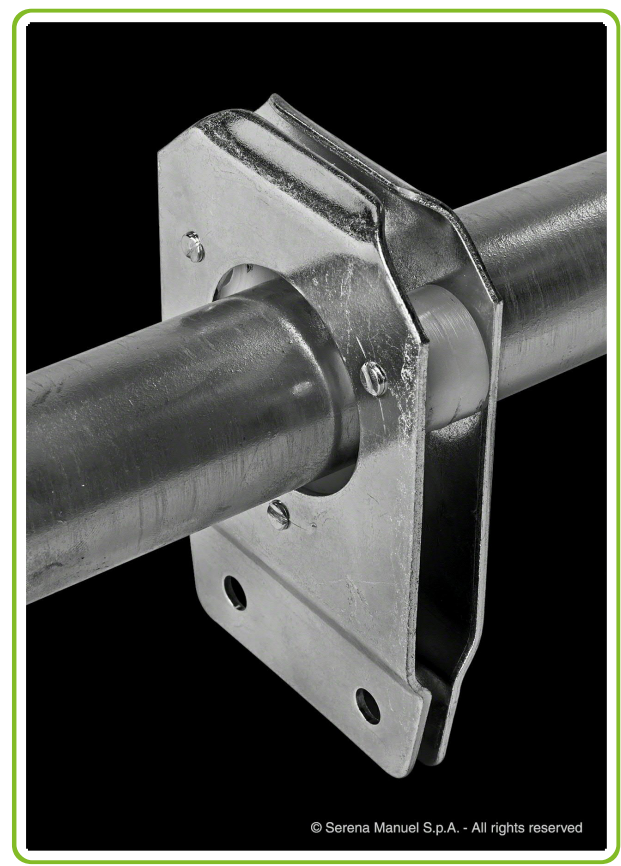
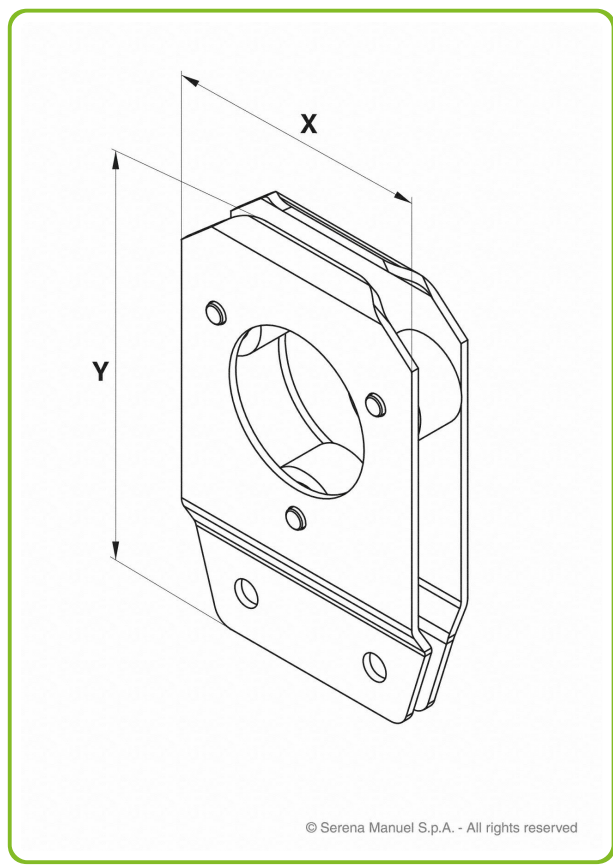


| CODE | DIAMETER | MINIMUM QUANTITY | DIMENSIONS | |
|----------|------------|------------------|------------|-----|
| | | | X | Y |
| 90920016 | 1"1/4 (42) | n° 1 | 50 | 130 |



Roller bearing

Zinc electroplated

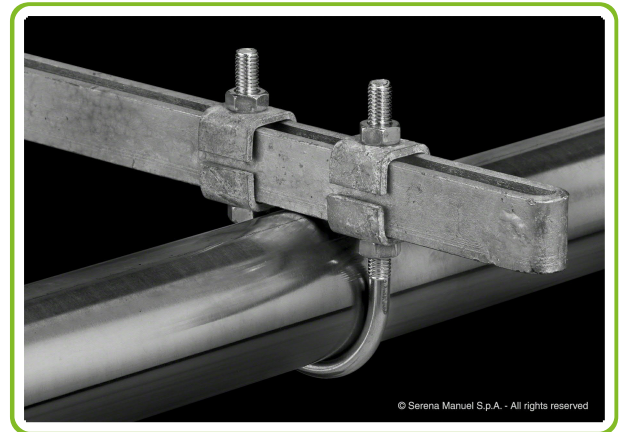
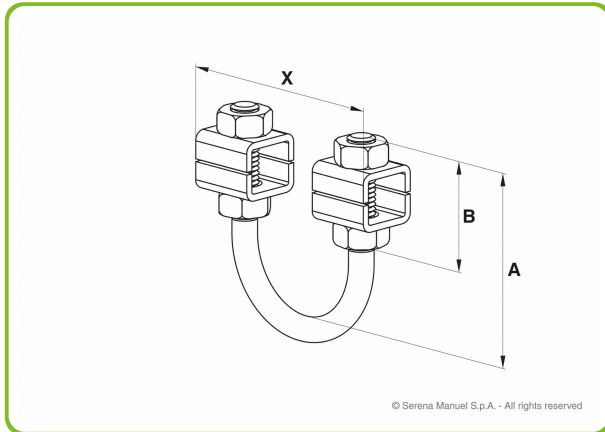


| CODE | DIAMETER | MINIMUM QUANTITY | DIMENSIONS | |
|----------|-----------|------------------|------------|-----|
| | | | X | Y |
| 90930026 | 3/4" (27) | n° 100 | 70 | 115 |
| 90930016 | 1" (33) | 100 | 70 | 115 |

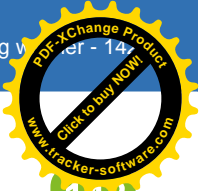


U-bolt for sliding support bracket complete with nuts and retaining washers

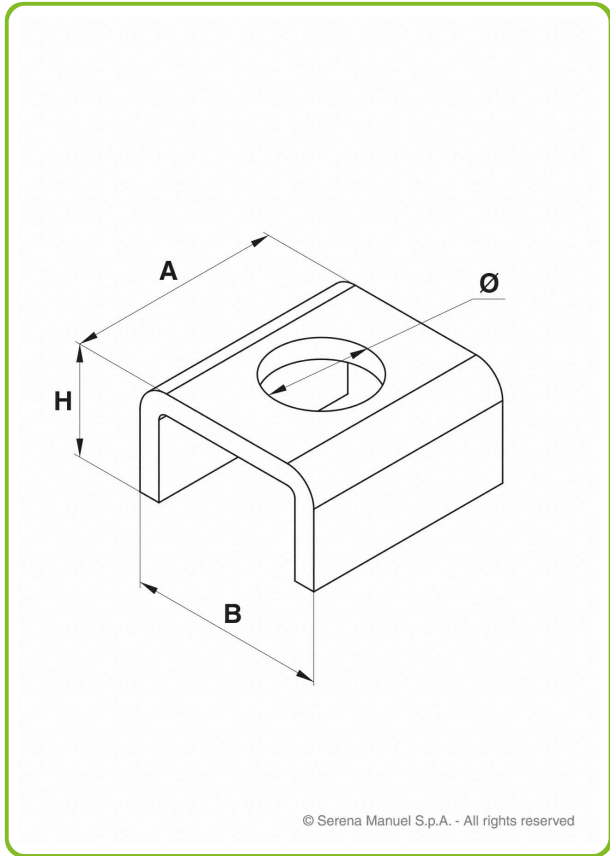
Zinc electroplated



| CODE | DIAMETER | | NUTS | WASHERS | MINIMUM QUANTITY | DIMENSIONS | | |
|----------|------------|-----------|------|---------|------------------|------------|----|-----|
| | | | n° 4 | n° 4 | n° | A | B | X |
| 91160017 | 40 ÷ 1"1/4 | (40 ÷ 42) | M8 | 25x23 | 50 | 87 | 60 | 80 |
| 91160027 | 1"1/2 ÷ 52 | (48 ÷ 52) | M8 | 25x23 | 50 | 100 | 65 | 90 |
| 91160037 | 2" ÷ 64 | (60 ÷ 64) | M8 | 25x23 | 50 | 108 | 65 | 100 |
| 91160047 | 2"1/2 ÷ 82 | (76 ÷ 82) | M8 | 25x23 | 50 | 117 | 60 | 112 |

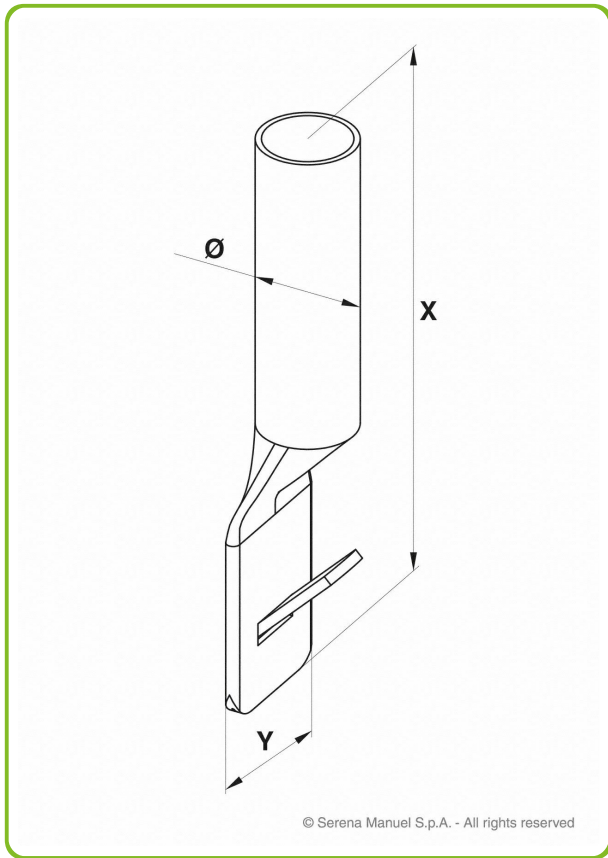


Sliding support bracket retaining washer



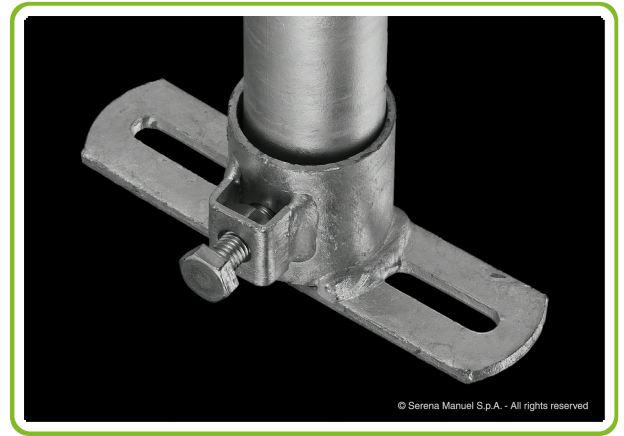
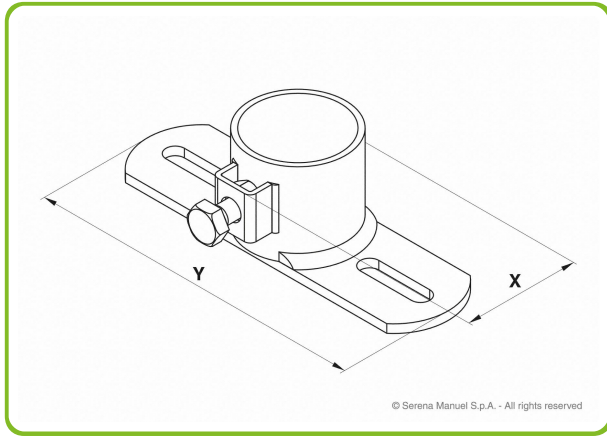
| CODE | HOLE | MINIMUM QUANTITY | DIMENSIONS | | |
|----------|------|------------------|------------|----|----|
| | Ø | | n° | A | B |
| 71420052 | 9 | 200 | 23 | 25 | 14 |

Milking unit stand

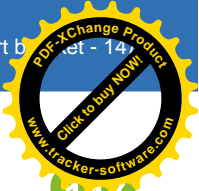


| CODE | DIAMETER | | MINIMUM QUANTITY | DIMENSIONS | |
|----------|---------------|------|------------------|------------|----|
| | \varnothing | | | X | Y |
| 91450012 | 1" | (33) | 1 | 200 | 50 |

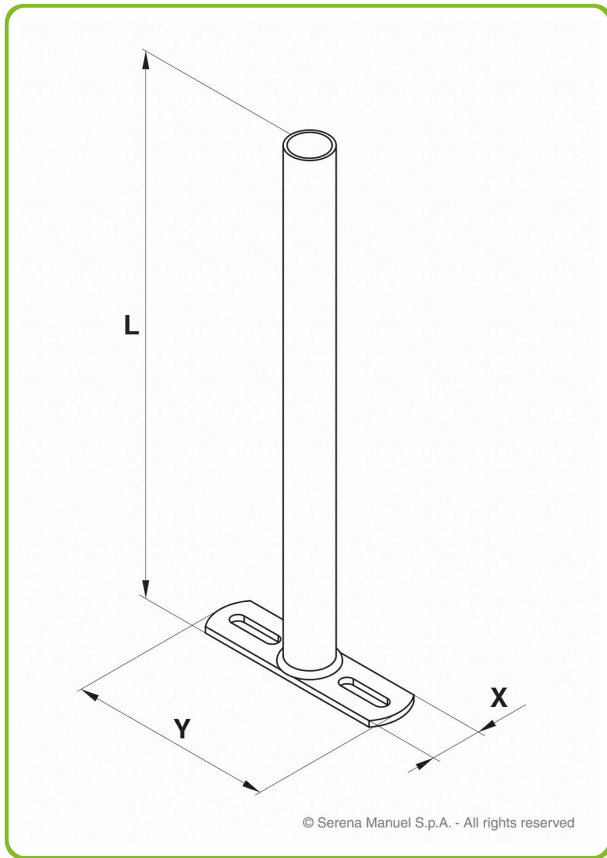
Wall mounted support bracket with nut cage



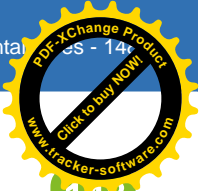
| CODE | DIAMETER | | BOLT AND NUT | MINIMUM QUANTITY | DIMENSIONS | |
|----------|----------|------|--------------|------------------|------------|-----|
| | | | n° 1 | n° | X | Y |
| 91460013 | 1/2" | (21) | 10x25 | 1 | 40 | 140 |
| 91460023 | 3/4" | (27) | 10x25 | 1 | 48 | 140 |
| 91460033 | 1" | (33) | 10x25 | 1 | 54 | 160 |
| 91460043 | 1"1/4 | (42) | 10x25 | 1 | 63 | 160 |
| 91460053 | 1"1/2 | (48) | 10x25 | 1 | 71 | 180 |
| 91460063 | 2" | (60) | 10x25 | 1 | 83 | 180 |



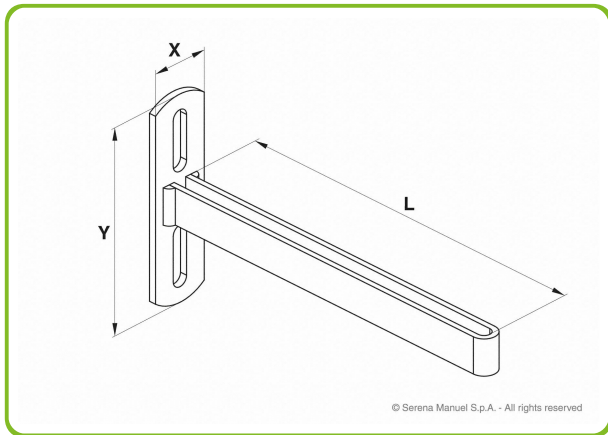
Wall mounted tubular support bracket



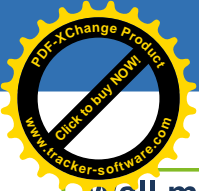
| CODE | DIAMETER | MINIMUM QUANTITY | DIMENSIONS | | |
|----------|-----------|------------------|------------|-----|-----|
| | | | X | Y | L |
| 91470052 | 1/2" (21) | n° 1 | 40 | 140 | 240 |
| 91470012 | 1/2" (21) | 1 | 40 | 140 | 310 |
| 91470022 | 1" (33) | 1 | 40 | 160 | 405 |



Wall mounted sliding support bracket for horizontal tubes

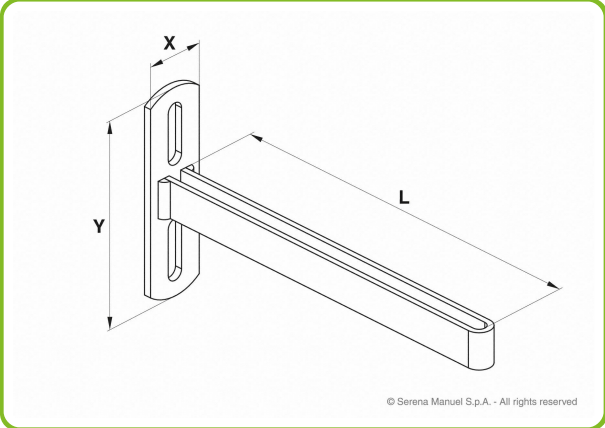


| CODE | LENGTH | MINIMUM QUANTITY | DIMENSIONS | |
|----------|--------|------------------|------------|-----|
| | L | | n° | X |
| 91480012 | 100 | 1 | 40 | 140 |
| 91480022 | 150 | 1 | 40 | 140 |
| 91480032 | 200 | 1 | 40 | 140 |
| 91480042 | 250 | 1 | 40 | 140 |
| 91480052 | 300 | 1 | 40 | 140 |
| 91480062 | 400 | 1 | 40 | 140 |
| 91480072 | 500 | 1 | 40 | 140 |
| 91480082 | 600 | 1 | 40 | 140 |
| 91480092 | 700 | 1 | 40 | 140 |
| 91480102 | 750 | 1 | 40 | 140 |



Wall mounted sliding support bracket for horizontal tubes

Stainless steel

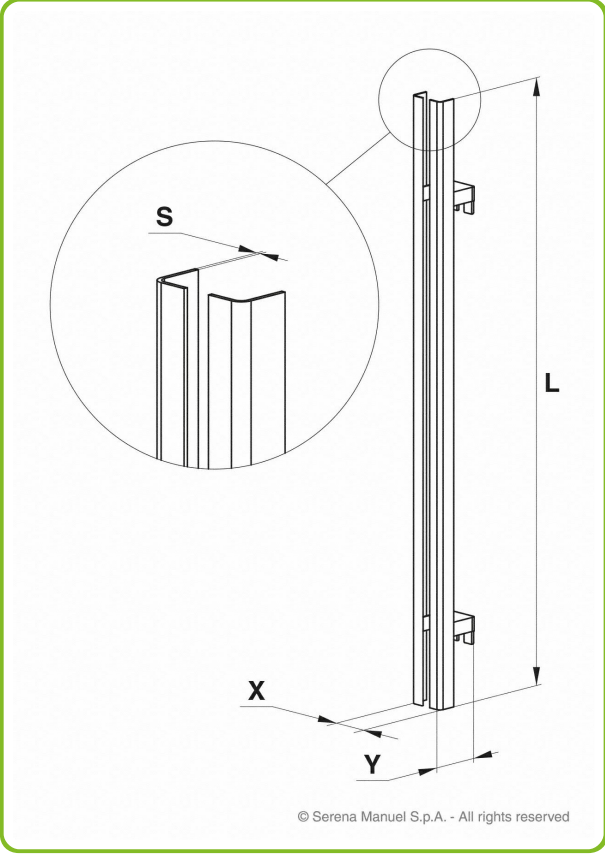


| CODE | LENGHT | MINIMUM QUANTITY | DIMENSIONS | |
|----------|--------|------------------|------------|-----|
| | L | | n° | X |
| 91480024 | 150 | 1 | 40 | 140 |
| 91480034 | 200 | 1 | 40 | 140 |
| 91480044 | 250 | 1 | 40 | 140 |
| 91480054 | 300 | 1 | 40 | 140 |
| 91480064 | 400 | 1 | 40 | 140 |
| 91480084 | 600 | 1 | 40 | 140 |

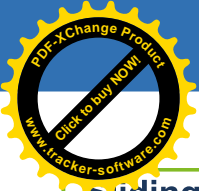


Sliding collar support bracket

Stainless steel

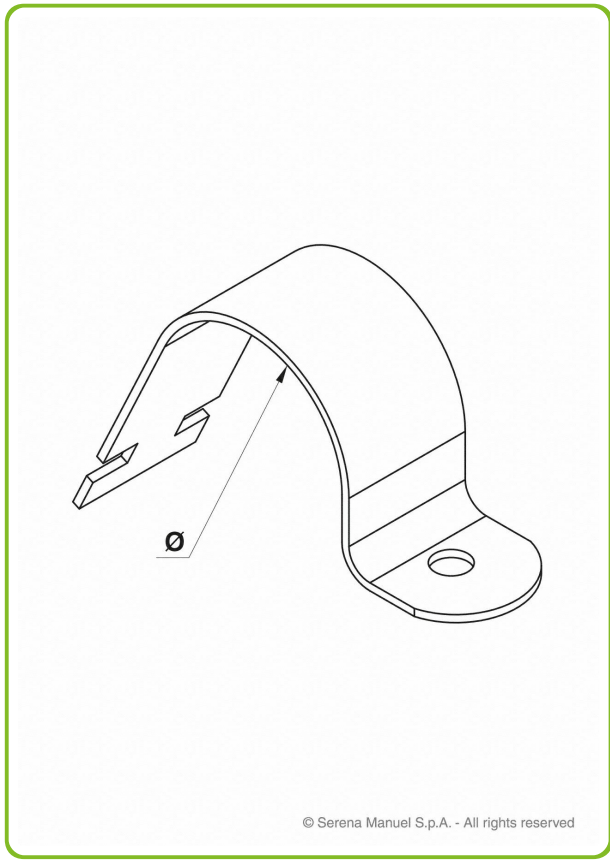


| CODE | LENGTH | MINIMUM QUANTITY | DIMENSIONS | | |
|----------|--------|------------------|------------|----|-----|
| | L | | n° | X | Y |
| 91490014 | 650 | 1 | 40 | 50 | 1,5 |
| 91490034 | 650 | 1 | 40 | 50 | 2,5 |



Sliding collar

Stainless steel



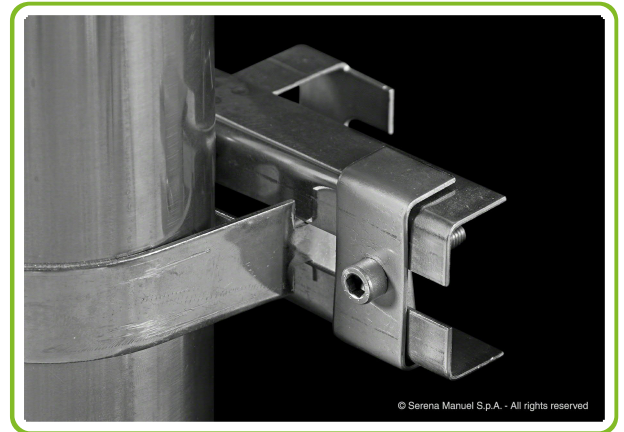
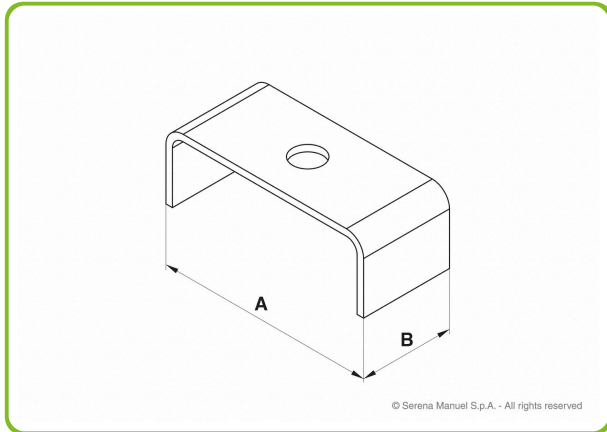
| CODE | DIAMETER Ø | MINIMUM QUANTITY n° |
|----------|---------------|------------------------|
| 71490014 | 40 ÷ 42 | 1 |
| 71490024 | 52 | 1 |
| 71490034 | 63 | 1 |
| 71490044 | 75 ÷ 76 | 1 |



Support bracket retainer washer

149

Stainless steel

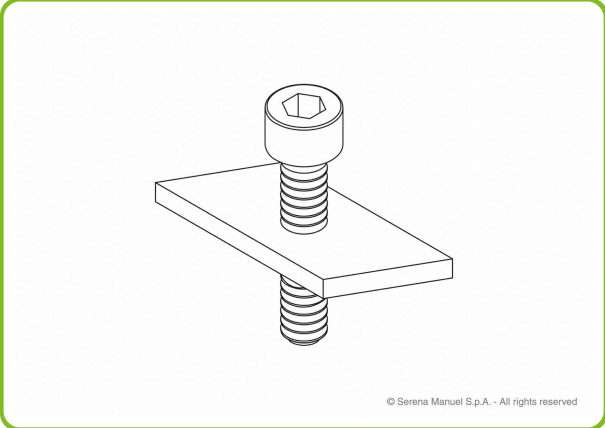


| CODE | DIMENSION | | MINIMUM QUANTITY |
|----------|-----------|------|------------------|
| | A | B | n° |
| 71490064 | 45 | x 20 | 1 |



Sliding support clamp plate with screw

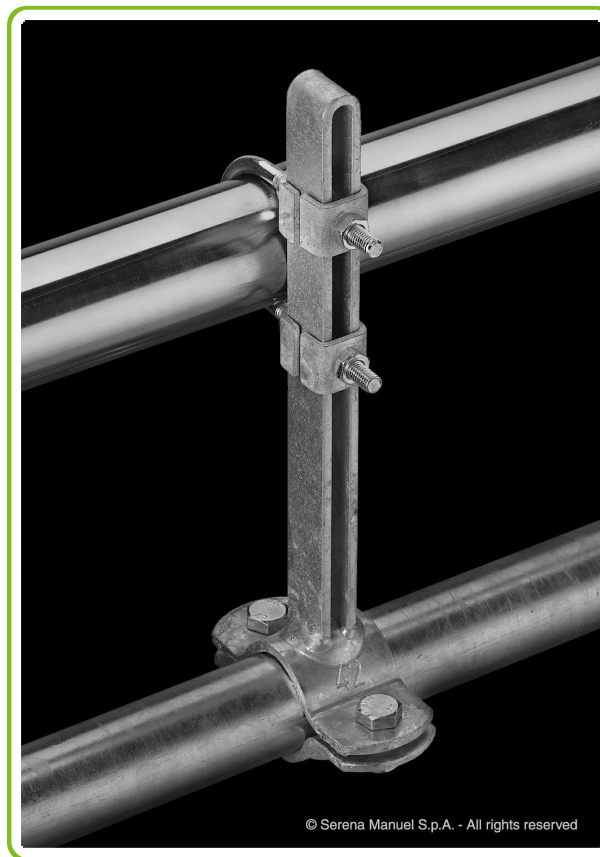
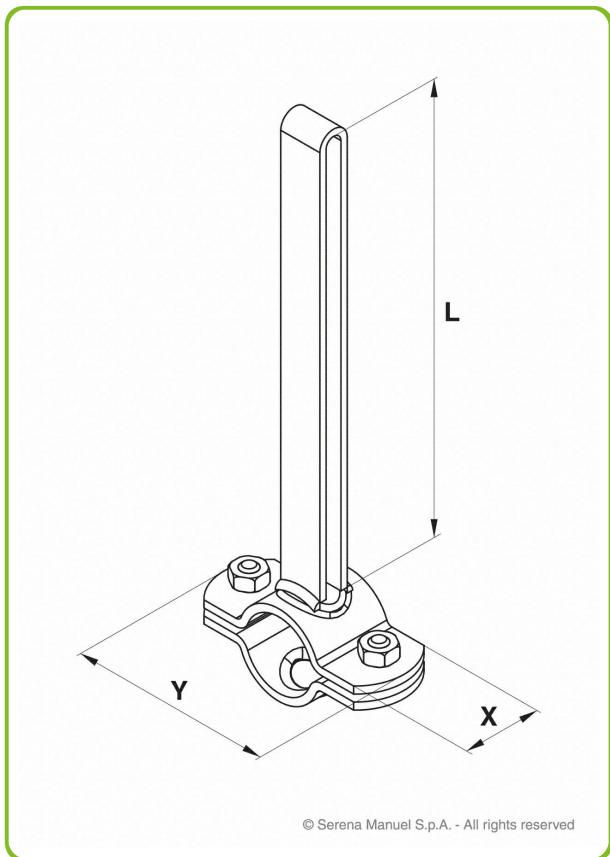
Stainless steel



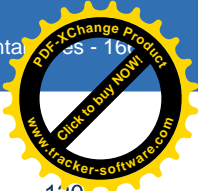
| CODE | CLAMP PLATE | BOLT | MINIMUM QUANTITY |
|----------|-------------|------|------------------|
| | n° 1 | n° 1 | n° |
| 91490025 | 15 x 41 | 6x30 | 1 |



Tubular mounted sliding support bracket for horizontal pipes



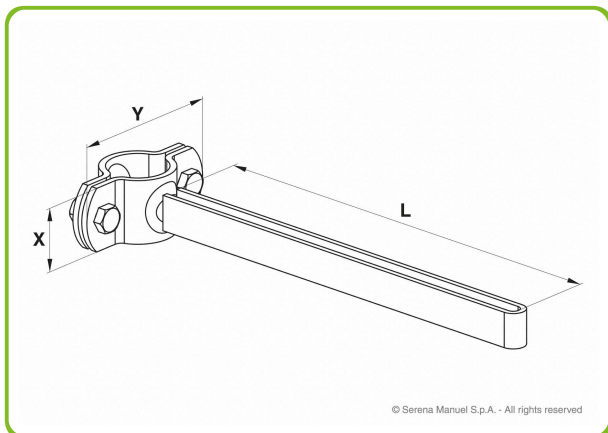
| CODE | DIAMETER | LENGTH | BOLTS AND NUTS | MINIMUM QUANTITY | DIMENSIONS | | |
|----------|------------|--------|----------------|------------------|------------|------|-----|
| | | | | | L | n° 2 | n° |
| 91660043 | 1"1/4 (42) | 150 | 10x25 | 1 | | 45 | 115 |
| 91660053 | 1"1/4 (42) | 250 | 10x25 | 1 | | 45 | 115 |
| 91660063 | 1"1/4 (42) | 300 | 10x25 | 1 | | 45 | 115 |
| 91660073 | 1"1/4 (42) | 400 | 10x25 | 1 | | 45 | 115 |
| 91660013 | 1"1/4 (42) | 500 | 10x25 | 1 | | 45 | 115 |
| 91660083 | 1"1/2 (48) | 150 | 10x25 | 1 | | 45 | 120 |
| 91660093 | 1"1/2 (48) | 250 | 10x25 | 1 | | 45 | 120 |
| 91660103 | 1"1/2 (48) | 300 | 10x25 | 1 | | 45 | 120 |
| 91660113 | 1"1/2 (48) | 400 | 10x25 | 1 | | 45 | 120 |
| 91660033 | 1"1/2 (48) | 500 | 10x25 | 1 | | 45 | 120 |
| 91660123 | 2" (60) | 150 | 10x25 | 1 | | 45 | 130 |



| | | | | | | | |
|----------|----|------|-----|-------|---|----|-----|
| 91660133 | 2" | (60) | 250 | 10x25 | 1 | 45 | 130 |
| 91660143 | 2" | (60) | 300 | 10x25 | 1 | 45 | 130 |
| 91660153 | 2" | (60) | 400 | 10x25 | 1 | 45 | 130 |
| 91660023 | 2" | (60) | 500 | 10x25 | 1 | 45 | 130 |



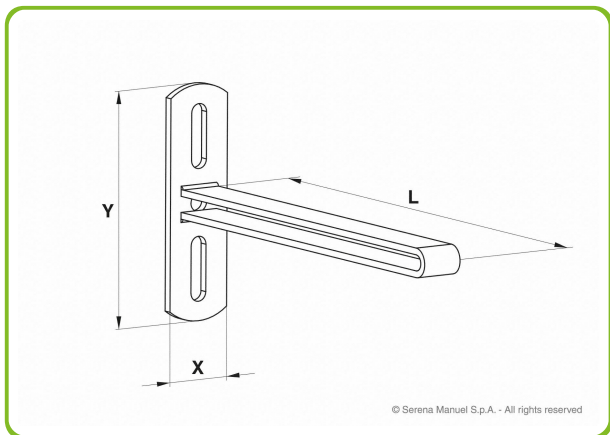
Tubular mounted sliding support bracket for vertical pipes



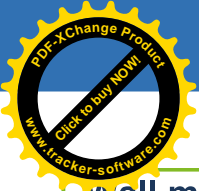
| CODE | DIAMETER | | LENGTH L | BOLTS AND NUTS n° 2 | MINIMUM QUANTITY n° | DIMENSIONS | |
|----------|----------|------|-------------|------------------------|------------------------|------------|-----|
| | | () | | | | X | Y |
| 91670163 | 1" | (33) | 400 | 10x25 | 1 | 35 | 95 |
| 91670013 | 1"1/4 | (42) | 150 | 10x25 | 1 | 45 | 115 |
| 91670023 | 1"1/4 | (42) | 250 | 10x25 | 1 | 45 | 115 |
| 91670033 | 1"1/4 | (42) | 300 | 10x25 | 1 | 45 | 115 |
| 91670043 | 1"1/4 | (42) | 400 | 10x25 | 1 | 45 | 115 |
| 91670053 | 1"1/4 | (42) | 500 | 10x25 | 1 | 45 | 115 |
| 91670063 | 1"1/2 | (48) | 150 | 10x25 | 1 | 45 | 120 |
| 91670073 | 1"1/2 | (48) | 250 | 10x25 | 1 | 45 | 120 |
| 91670083 | 1"1/2 | (48) | 300 | 10x25 | 1 | 45 | 120 |
| 91670093 | 1"1/2 | (48) | 400 | 10x25 | 1 | 45 | 120 |
| 91670103 | 1"1/2 | (48) | 500 | 10x25 | 1 | 45 | 120 |
| 91670113 | 2" | (60) | 150 | 10x25 | 1 | 45 | 130 |
| 91670123 | 2" | (60) | 250 | 10x25 | 1 | 45 | 130 |
| 91670133 | 2" | (60) | 300 | 10x25 | 1 | 45 | 130 |
| 91670143 | 2" | (60) | 400 | 10x25 | 1 | 45 | 130 |
| 91670153 | 2" | (60) | 500 | 10x25 | 1 | 45 | 130 |



Wall mounted sliding support bracket for vertical pipes

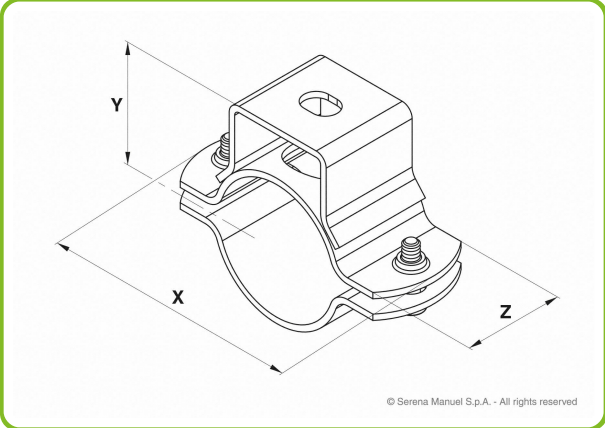


| CODE | LENGTH | MINIMUM QUANTITY | DIMENSIONS | |
|----------|--------|------------------|------------|-----|
| | L | | n° | X |
| 91680012 | 150 | 1 | 40 | 140 |
| 91680022 | 250 | 1 | 40 | 140 |
| 91680042 | 300 | 1 | 40 | 140 |
| 91680032 | 400 | 1 | 40 | 140 |



Wall mounted support bracket for stainless steel pipe

Stainless steel



| CODE | DIAMETER | BOLTS n° 2 | MINIMUM QUANTITY n° | DIMENSIONS | | |
|----------|----------|---------------|------------------------|------------|----|----|
| | | | | X | Y | Z |
| 91750065 | 28 | 8x20 | 1 | 73 | 40 | 35 |
| 91750015 | 34 | 8x25 | 1 | 70 | 47 | 35 |
| 91750025 | 40 ÷ 42 | 8x25 | 1 | 85 | 49 | 35 |
| 91750035 | 52 ÷ 53 | 8x25 | 1 | 100 | 50 | 40 |
| 91750045 | 60 ÷ 63 | 8x25 | 1 | 105 | 57 | 40 |
| 91750055 | 70 | 8x25 | 1 | 120 | 60 | 40 |